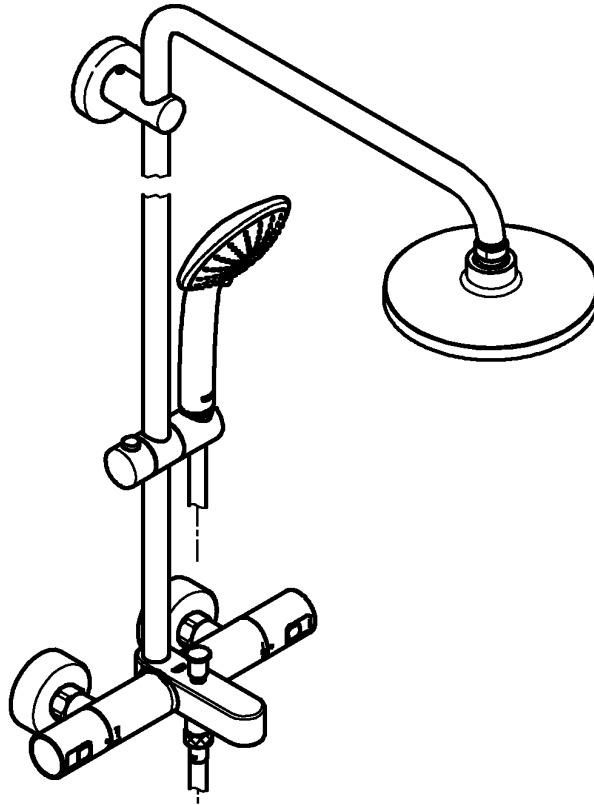


27 685  
27 860



Vitalio System

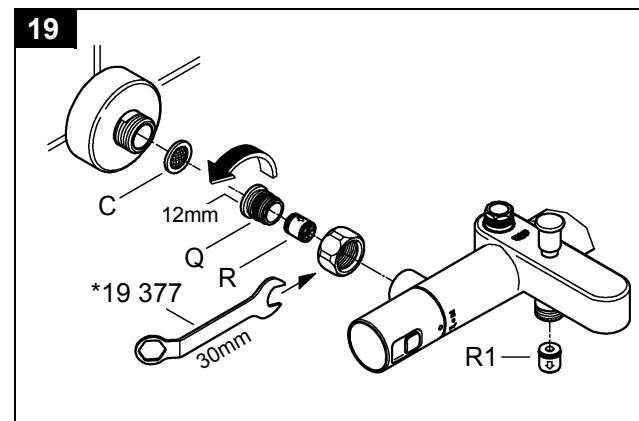
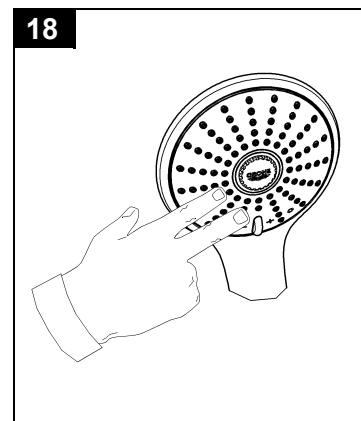
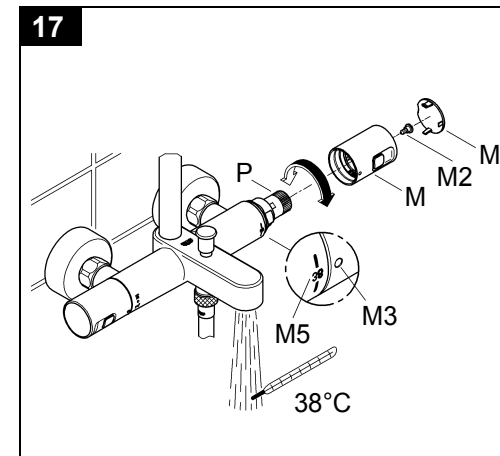
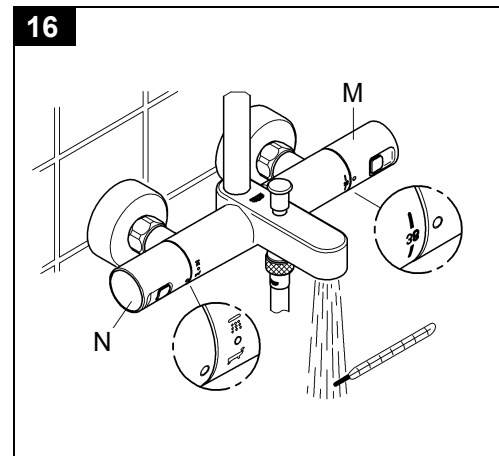
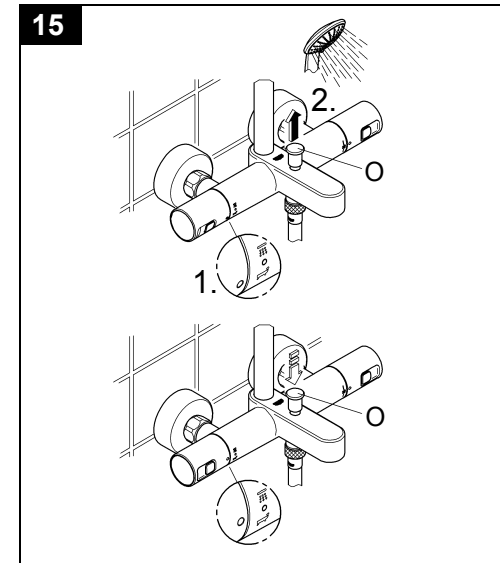
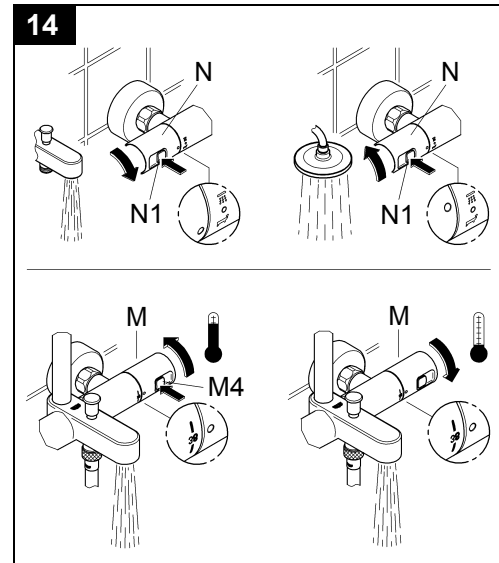
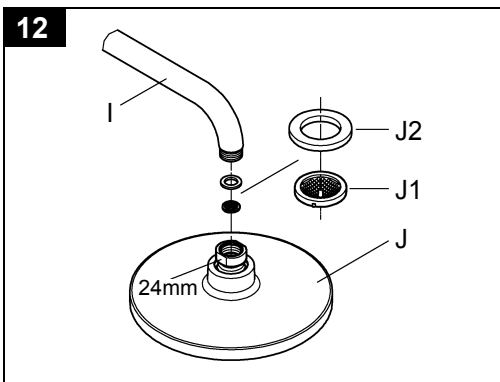
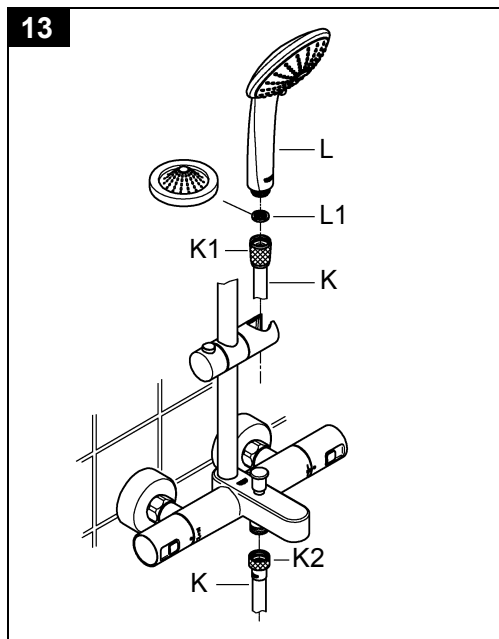
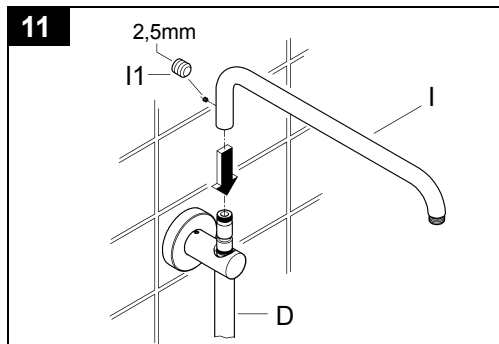
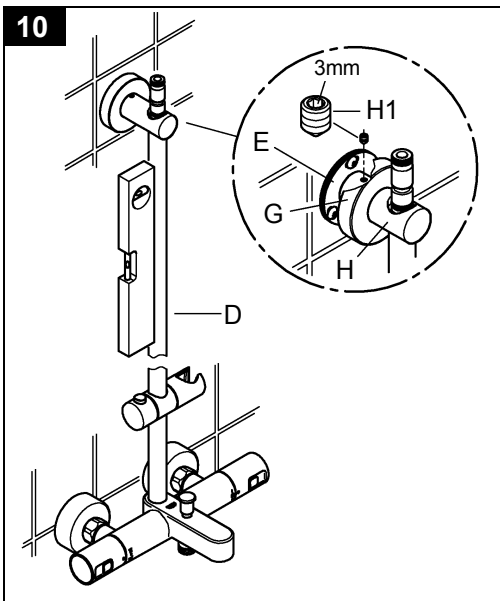
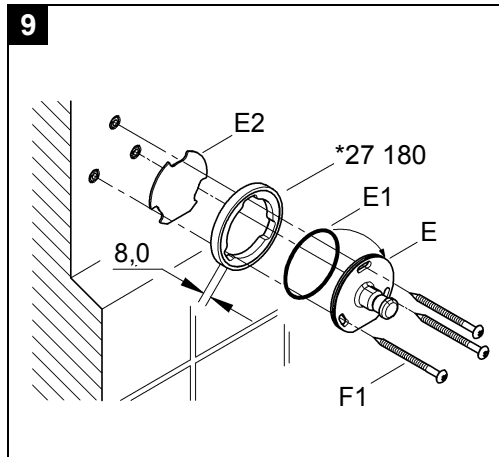
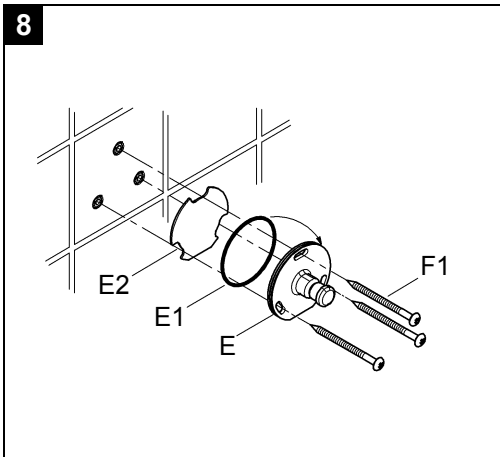
## Vitalio System

Design + Engineering GROHE Germany

99.599.231/ÄM 228831/04.14

**GROHE**  
ENJOY WATER®





### Prior to installation

This GROHE fitting can be used in conjunction with a pressurised storage heater or an instantaneous heater.

#### Operation with unpressurised storage heaters (= displacement water heaters) is not possible.

To ensure correct operation of the fitting, the flow pressure should be between 1 and 5 bar.

It is recommendable to install a pressure-reducing valve in the case of higher flow pressures.

**!** In the case of new installations, flush the cold and hot water lines thoroughly until the water is completely free of contamination before and after installation. Otherwise these residues remaining in the lines may block the fitting and contaminate the drinking water.

**!** Make sure that you do not damage the fitting surfaces with the tool during installation. For this reason, always use toothed pliers.

### Installation, Pages 2 + 3

**!** The cold water supply must be connected on the right, hot water supply on the left.

If you have reversed the fitting connections (hot on right – cold on left), you can correct this by means of the thermostatic compact cartridge (47 175) available as a special accessory, see Page 1.

**1** - **19** = Figure number

- 1** Note the necessary installation dimensions.
- 2** Apply sealing compound to the 1/2" threads of the S-unions. Use a suitable sealing compound for this purpose (available in specialist shops).
- 3** Screw the S-unions horizontally into the supply pipes at intervals of 150mm.
- 4** Fit escutcheons **A** onto the S-unions.  
Remove protective covers **B** from the union nuts on the fitting and check that dirt strainers **C** are inserted correctly. Screw the union nuts on the fitting onto the S-unions.

**!** Open the cold and hot water supply and check the connections for watertightness.

- 5** Push shower rail **D** into the housing as far as the stop.

**!** The shower rail must not be cut to length.

- 6** To mark the drill holes, start by aligning shower rail **D**. Next, mark the holes for backplate **E**. Finally remove the shower rail again.

- 7** Drill the holes and insert plugs **F**.

- 8** For installation on a straight wall, fit O-ring **E1** onto backplate **E**. Screw backplate **E** to the wall using screws **F1** and seal **E2**.

- 9** For installation on a recessed wall, you can increase the distance to the wall by 8mm using the compensation disc (27 180) available as a special accessory, see Page 1. When using other screws, several compensation discs can be fitted one over the other. Fit O-ring **E1** onto backplate **E**. Screw backplate **E** together with the compensation disc to the wall using screws **F1** and seal **E2**.

- 10** Push escutcheon **G** onto bracket **H** and reinsert shower rail **D** in the housing, see **5**. Push bracket **H** onto backplate **E**. Align shower rail **D** and secure using set screw **H1**. Screw escutcheon **G** against the wall.

- 11** Push shower arm **I** onto shower rail connection **D** from above and secure using set screw **I1**.

- 12** Insert filter **J1** and seal **J2** in head shower **J**. Next, screw head shower **J** onto shower arm **I**.

- 13** Screw taper nut **K1** of shower hose **K** onto hand shower **L** using filter **L1**.

Screw nut **K2** of shower hose **K** onto the fitting.

## Operation, Page 4

- 14** Turning shut-off handle **N** allows you to regulate the flow rate.

The fitting is closed in the middle position. Pressing button **N1** and turning shut-off handle **N** opens the fitting.

Turning temperature control handle **M** allows you to set the water temperature.



A safety stop limits the temperature to 38 °C.

The 38 °C stop can be exceeded by pressing button **M4** and turning temperature control handle **M**.



Always return temperature control handle **M** to 38 °C after use, otherwise the next user may scald themselves.

- 15** Operate the diverter **O** as shown.

## Adjustment, Page 4

The fitting is calibrated at a cold and hot water pressure of 3 bar at the factory.

Resetting (adjustment) is required if the temperature is not 38 °C.

- 16** Set the temperature at temperature control handle **M** to 38 °C. Turn shut-off handle **N** in the direction of the bath tub and measure the temperature of the running water.

- 17** Lever out cap **M1**.

- Remove screw **M2** and remove temperature control handle **M**.
- With the water running, turn regulating nut **P** until the water temperature reaches 38 °C.
- Reinstall temperature control handle **M** so that the **M3** marking on the handle coincides with the 38 °C marking **M5** on the fitting.
- Screw temperature control handle **M** into place once more using screw **M2** and fit cap **M1**.

## Troubleshooting, Pages 1, 2, 3 + 4



Remove the fitting from the wall if there is a risk of frost. Drain the fitting or store in a frost-free environment. The non-return valves in the hot and cold water connections as well as in the fitting's outlet connection mean that water remains in the fitting when the domestic water system is drained.

**Fault:** Flow rate noticeably reduced or changed spray pattern.

1. Insufficient supply pressure:  
Check the upstream installation.
2. Dirt strainers in the head shower (48 007), the hand shower (07 002) or in the union connection set (07 264) blocked/dirty, see Page 1: Clean or replace the dirt strainers.
3. **18** Spray face plate blocked/dirty:  
Clean the spray face plate.
4. Non-return valves (08 565) in the connections or in the shower outlet blocked/dirty/defective, see Page 1: Clean or replace the non-return valves, see **19**.

## **19** Removing non-return valves



Shut off the hot and cold water supply.

- Remove the fitting from the wall, see **4**.
- Remove dirt strainers **C**.
- Remove connection nipple **Q** by turning clockwise (left-hand thread) using a 12mm allen key.
- Remove non-return valves **R**.
- Install in reverse order.
- Replace dirt strainers **C** during this process.
- Remove shower hose **K**, see **13**.
- Remove non-return valve **R1**.

**Fault:** Shower head dripping.

- The functional element (47 364) is leaking, see Page 1:  
Since the functional element is a delicate component, we recommend that you contact your installer.

**Fault:** No change in temperature using temperature control handle.

1. Water temperature too low:  
Flow temperature of at least 42 °C must be ensured.
2. Thermostatic compact cartridge (47 439) defective, see Page 1:  
Since the thermostatic compact cartridge is a delicate component, we recommend that you contact your installer.

Please also contact your installer in the event of faults not described here.

## Care and recycling

For directions on care, please refer to the accompanying Care Instructions. Observe the valid national regulations when disposing of the fitting.



**D**  
☎ +49 571 3989 333  
impressum@grohe.de

**A**  
☎ +43 1 68060  
info-at@grohe.com

**AUS**  
**Argent Sydney**  
☎ +(02) 8394 5800  
**Argent Melbourne**  
☎ +(03) 9682 1231

**B**  
☎ +32 16 230660  
info.be@grohe.com

**BG**  
☎ +359 2 9719959  
grohe-bulgaria@grohe.com

**CAU**  
☎ +99 412 497 09 74  
info-az@grohe.com

**CDN**  
☎ +1 888 6447643  
info@grohe.ca

**CH**  
☎ +41 448777300  
info@grohe.ch

**CN**  
☎ +86 21 63758878

**CY**  
☎ +357 22 465200  
info@grome.com

**CZ**  
☎ +420 277 004 190  
grohe-cz@grohe.com

**DK**  
☎ +45 44 656800  
grohe@grohe.dk

**E**  
☎ +34 93 3368850  
grohe@grohe.es

**EST**  
☎ +372 6616354  
grohe@grohe.ee

**F**  
☎ +33 1 49972900  
marketing-fr@grohe.com

**FIN**  
☎ +358 10 8201100  
teknocalor@teknocalor.fi

**GB**  
☎ +44 871 200 3414  
info-uk@grohe.com

**GR**  
☎ +30 210 2712908  
nsapountzis@ath.forthnet.gr

**H**  
☎ +36 1 2388045  
info-hu@grohe.com

**HK**  
☎ +852 2969 7067  
info@grohe.hk

**I**  
☎ +39 2 959401  
info-it@grohe.com

**IND**  
☎ +91 124 4933000  
customercare.in@grohe.com

**IS**  
☎ +354 515 4000  
jonst@byko.is

**J**  
☎ +81 3 32989730  
info@grohe.co.jp

**KZ**  
☎ +7 727 311 07 39  
info-cac@grohe.com

**LT**  
☎ +372 6616354  
grohe@grohe.ee

**LV**  
☎ +372 6616354  
grohe@grohe.ee

**MAL**  
☎ +1 800 80 6570  
info-singapore@grohe.com

**N**  
☎ +47 22 072070  
grohe@grohe.no

**NL**  
☎ +31 79 3680133  
vragen-nl@grohe.com

**NZ**  
☎ +09/373 4324

**P**  
☎ +351 234 529620  
commercial-pt@grohe.com

**PL**  
☎ +48 22 5432640  
biuro@grohe.com.pl

**RI**  
☎ +62 21 2358 4751  
info-singapore@grohe.com

**RO**  
☎ +40 21 2125050  
info-ro@grohe.com

**ROK**  
☎ +82 2 559 0790  
info-singapore@grohe.com

**RP**  
☎ +63 2 8041617

**RUS**  
☎ +7 495 9819510  
info@grohe.ru

**S**  
☎ +46 771 141314  
grohe@grohe.se

**SGP**  
☎ +65 6 7385585  
info-singapore@grohe.com

**SK**  
☎ +420 277 004 190  
grohe-cz@grohe.com

**T**  
☎ +66 2610 3685  
info-singapore@grohe.com

**TR**  
☎ +90 216 441 23 70  
GroheTurkey@grome.com

**UA**  
☎ +38 44 5375273  
info-ua@grohe.com

**USA**  
☎ +1 800 4447643  
us-customerservice@grohe.com

**VN**  
☎ +84 8 5413 6840  
info-singapore@grohe.com

**AL** **BiH** **HR** **KS**  
**ME** **MK** **SLO** **SRB**  
☎ +385 1 2911470  
adria-hr@grohe.com

**Eastern Mediterranean,  
Middle East - Africa  
Area Sales Office:**  
☎ +357 22 465200  
info@grome.com

**IR** **OM** **UAE** **YEM**  
☎ +971 4 3318070  
grohedubai@grome.com

**Far East Area Sales Office:**  
☎ +65 6311 3600  
info@grohe.com.sg