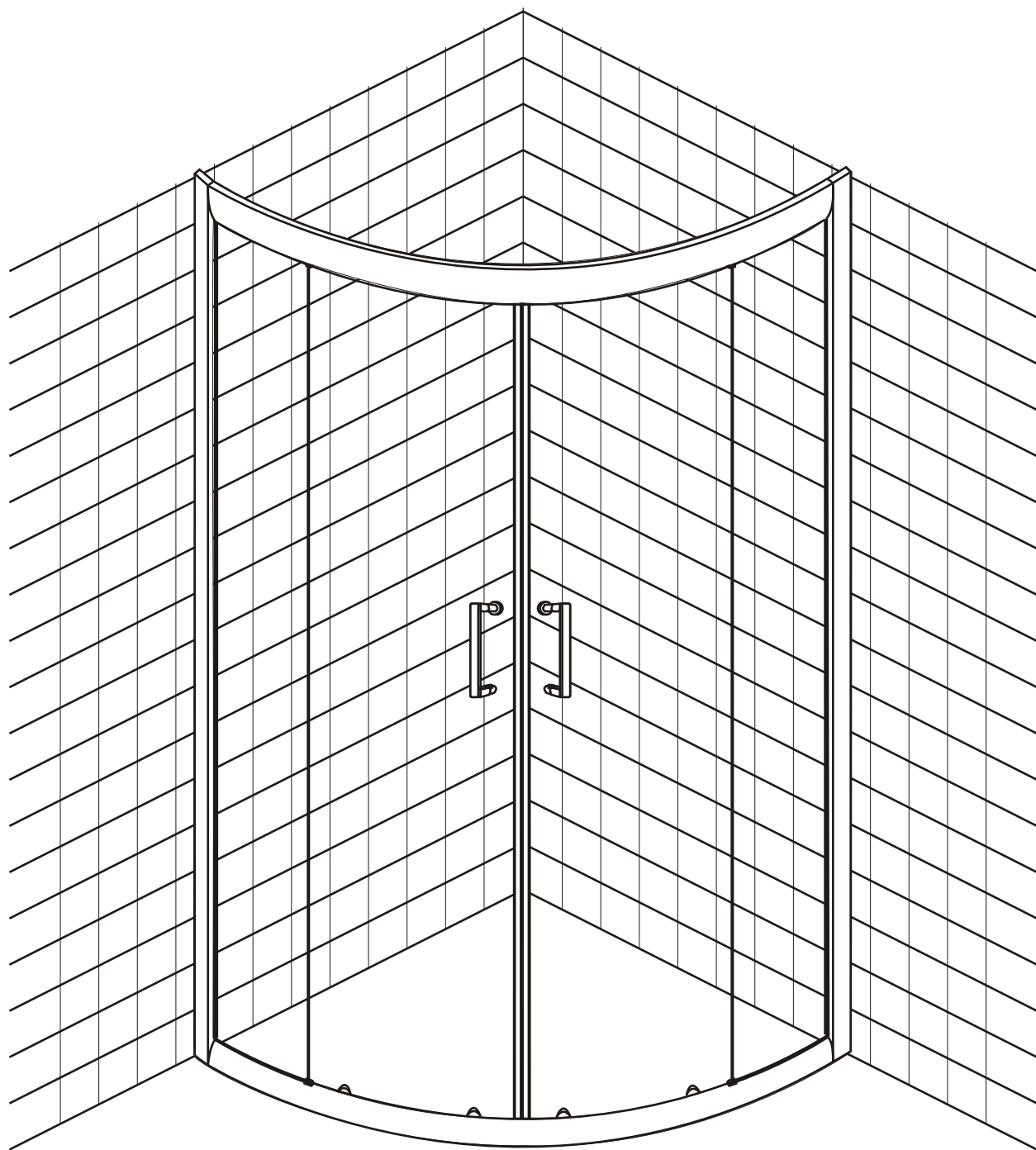


QUADRANT SHOWER ENCLOSURE INSTALLATION MANUAL



Product Reference (Barcode) :

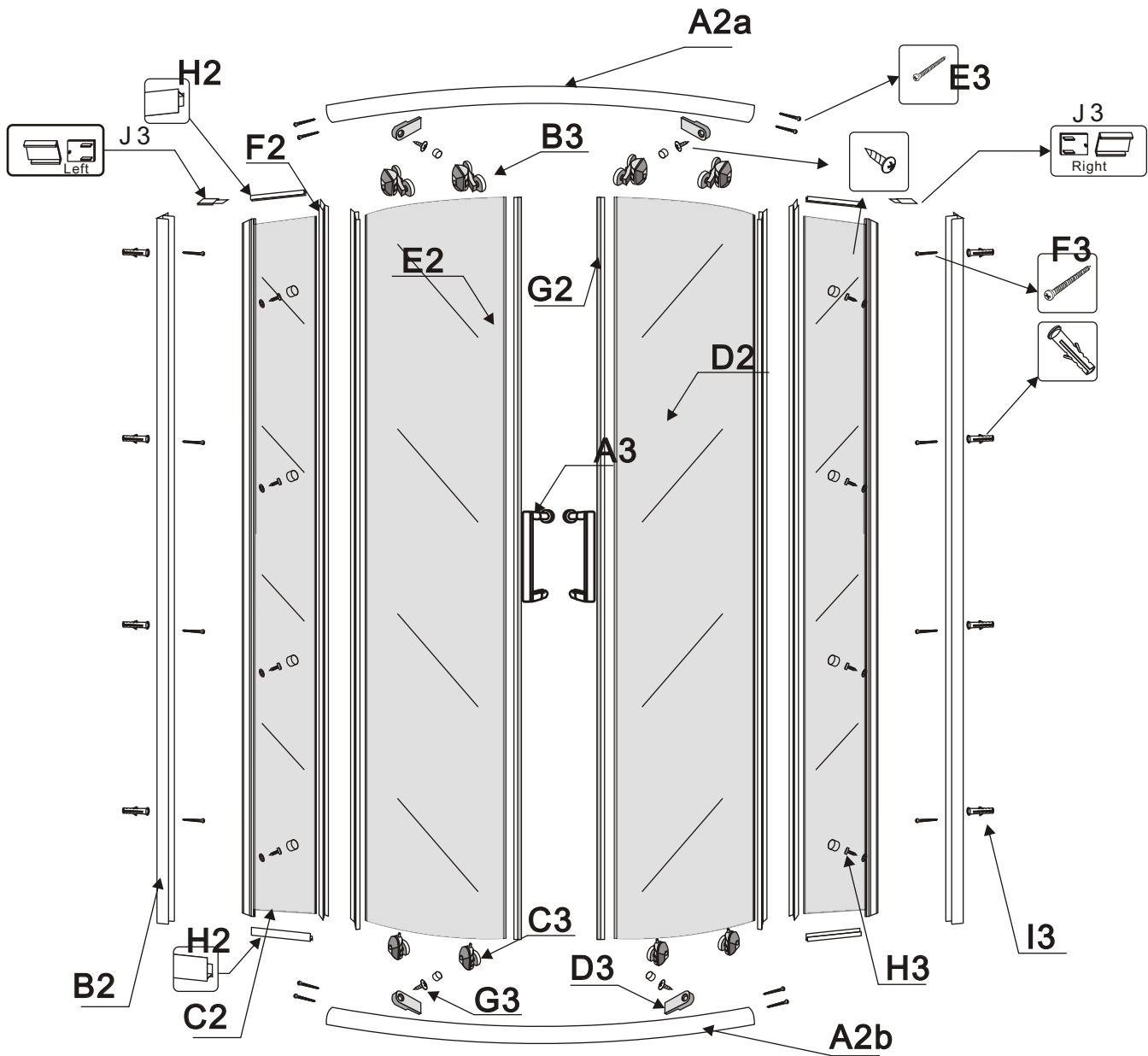
MBIEQ8004(5034109669474)

MBIEQ9006(5034109669481)

TABLE OF CONTENTS

Enclosure specification and contents	3
Tools Required (Not supplied)	4
Pre-installation and Technical Requirements	5
Important Safety Notes and Aftercare Instructions	5
Fixed Side Panel Assembly	6-7
Wall Profile Assembly	8-9
Movable Door Assembly	10-11
Handle, Splash Seal and Profile Cap Assembly	12
Apply Silicone Sealant	13

Enclosure specification and contents



Ref	Description	Qty
A2a	TOP RAIL	1
A2b	BOTTOM RAIL	1
B2	WALL PROFILE	2
C2	SIDE PANEL	2
D2	RIGHT HAND DOOR	1
E2	LEFT HAND DOOR	1
F2	VERTICAL SEAL	4
G2	MAGNETIC DOOR SEAL	2
H2	SPLASH SEAL	2

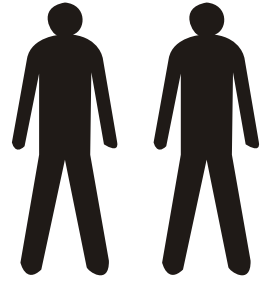
Ref	Description	Illustration	Qty
A3	handle		2
B3	top roller		4
C3	bottom roller		4
D3	u-shaped clip cover cap		4
E3	stainless steel screws: 3.5*35		8
F3	stainless steel screws: 4*25 plastic screw washer screw cover		8
G3	stainless steel screws: 4*10		4
H3	stainless steel screws: 4*10 plastic screw washer screw cover		8
I3	Expandable wall plug		8
J3	profile cap		1
K3	Drill bit 3mm		1
L3	Allen key		1
M3	stainless steel washer		4

Tools Required(Not Supplied)

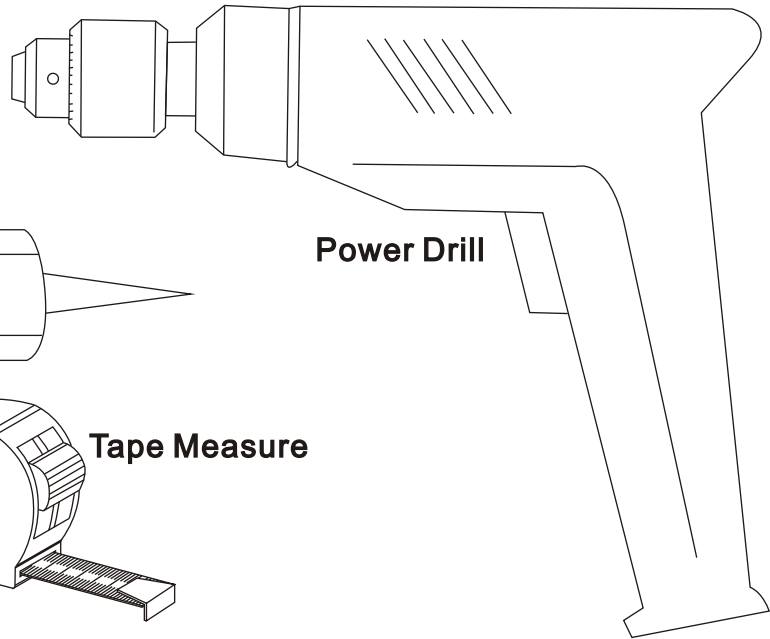
TOOLS REQUIRED(NOT SUPPLIED)

When you're ready to start, make sure that you have the parts listed and the following tools to hand, plenty of space and a clean dry area for assembly.

Two people are needed. Please note : although these instructions are comprehensive,we always recommend that a technically competent installer should undertake installation.

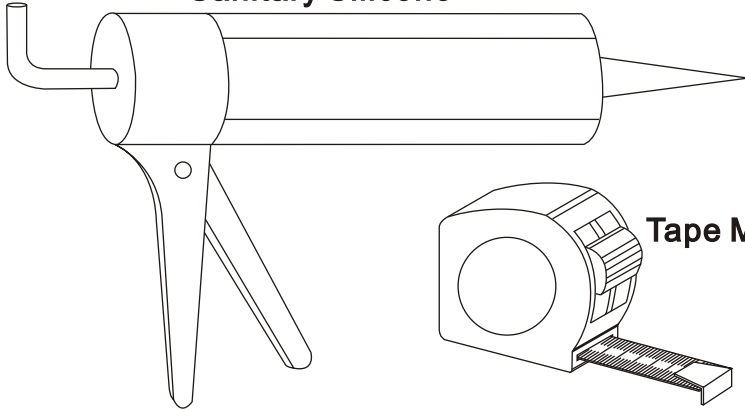


**Drill Bit to suit wall construction
6 mm**

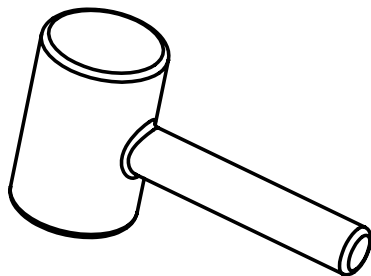
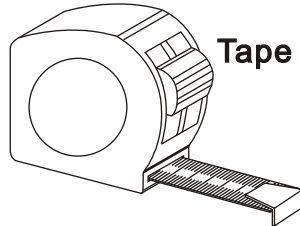


Power Drill

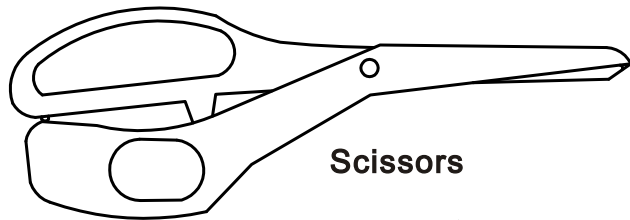
Sanitary Silicone



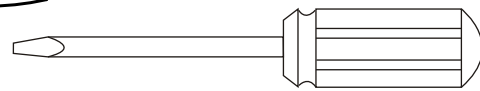
Tape Measure



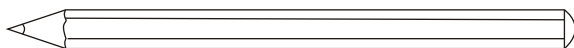
Rubber Mallet



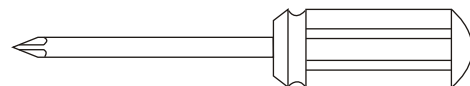
Scissors



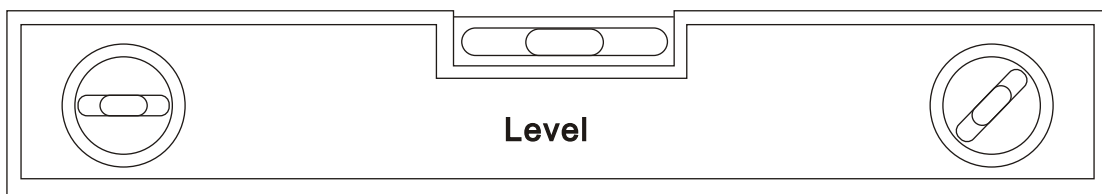
Flat Blade Screwdriver



Pencil



Magnetic Crosshead Screwdriver



Level

PRE-INSTALLATION AND TECHNICAL REQUIREMENTS

- All dimensions are shown in millimeters, except where otherwise indicated.
- Ensure that the enclosure set is fitted to a level floor and vertical wall surface
- This instruction manual is applicable for both pre-tiled wall and plain walls.
10mm distance is reserved for tiling of plain walls..

Please note: The wall fixings included with this product are suitable for solid walls only. Plasterboard or stud walls may require specialist fixings (not supplied).

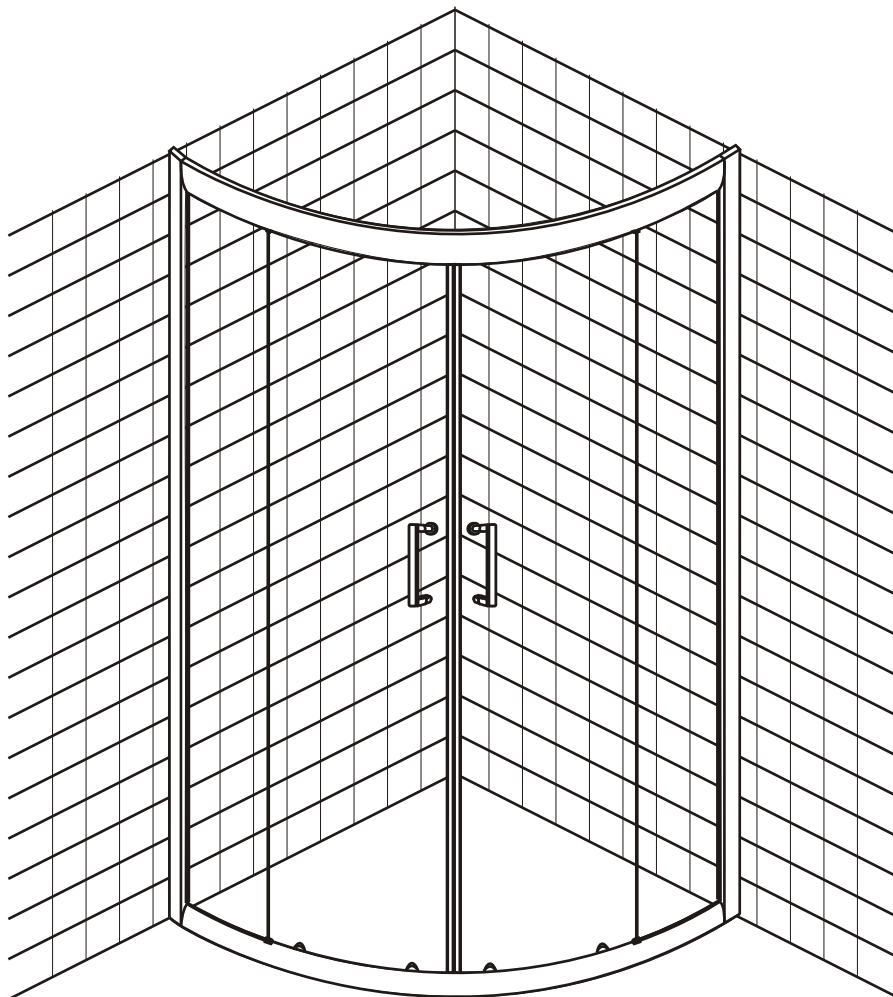
Due to the possibility of residual spray, the area around the outside of the shower tray should be tiled, or made otherwise water resistant.

IMPORTANT SAFETY NOTES

- THE GLASS IS RETAINED IN THE PROFILES TO A DEPTH OF 10MM.
under no circumstance should it be attempted to drill through the profiles in this region.
Damage to the glass and injury may occur
- Please handle all glass with care, avoiding knocks and shock loading to all sides and edges.
Safety glass cannot be reworked.
- Care should be taken when drilling into walls to avoid hidden pipes or electrical cables.

AFTERCARE INSTRUCTIONS

- Soap and water will be adequate to clean the glass – a glass cleaner can be used if required.
- In hard water districts, insoluble lime salts may be deposited on the glass. If this deposit is allowed to build up it becomes increasingly difficult to remove and looks unsightly. Regular cleaning will minimise this effect.



Fixed Side Panel Assembly

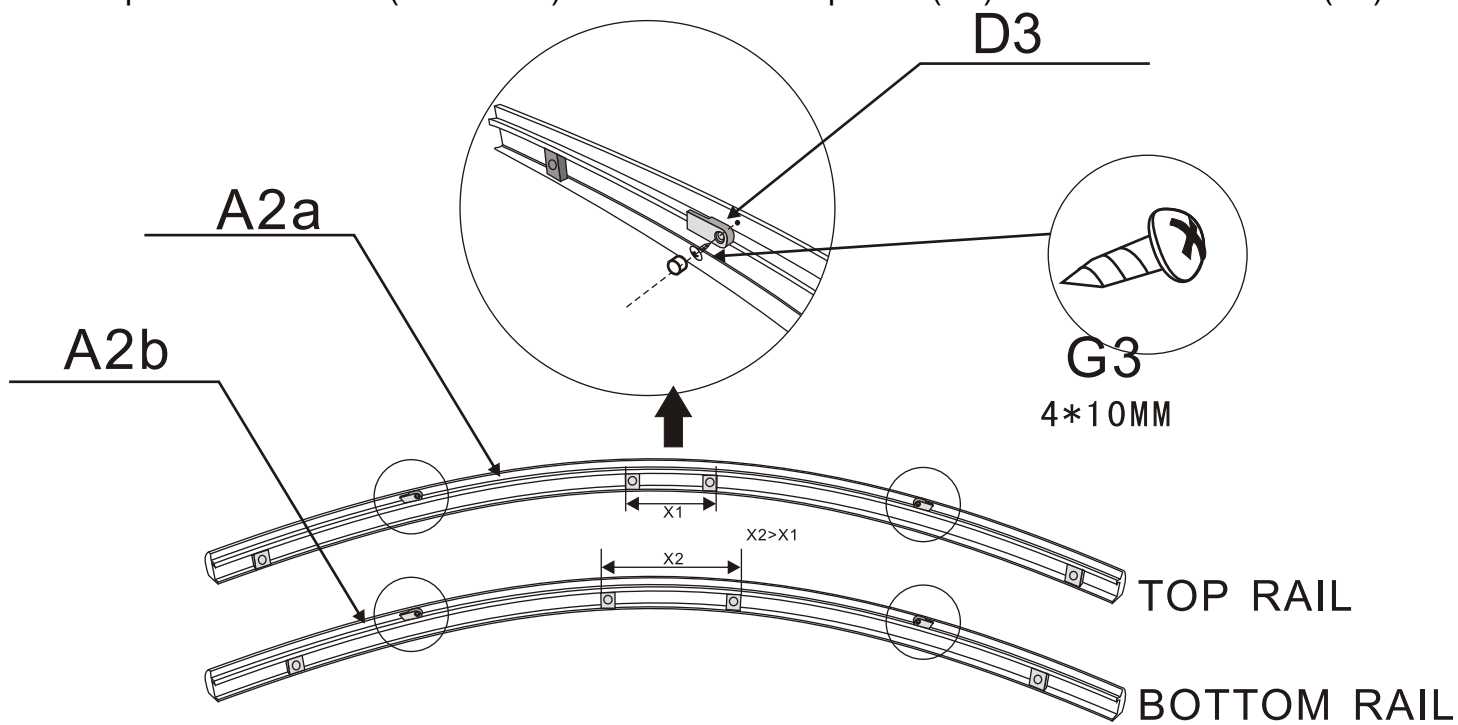
-Insert U-shaped clips (D3) into the top and bottom rails (A2a & A2b).

Fix with screws ST4x10 (G3), and put cover caps on.

-Cut the splash seal (H2) into two suitable lengths and push onto the top and bottom of the fixed side panel (C2).

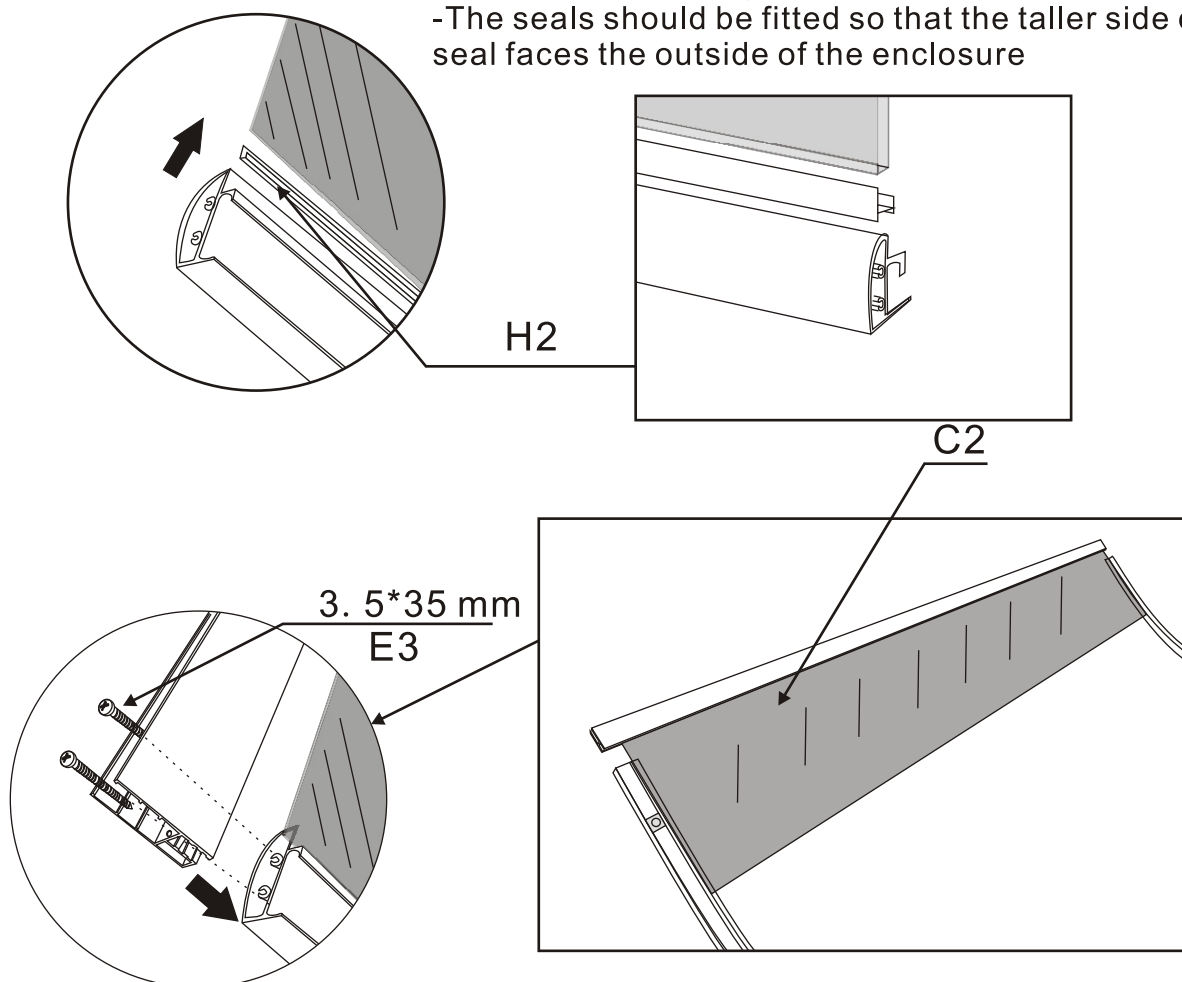
Note that the seals should be fitted so that the taller side of the seal faces the outside of the enclosure (see diagram below).

-Fix top and bottom rails (A2a & A2b) into the fixed side panels (C2) with screws ST3.5x35 (E3).



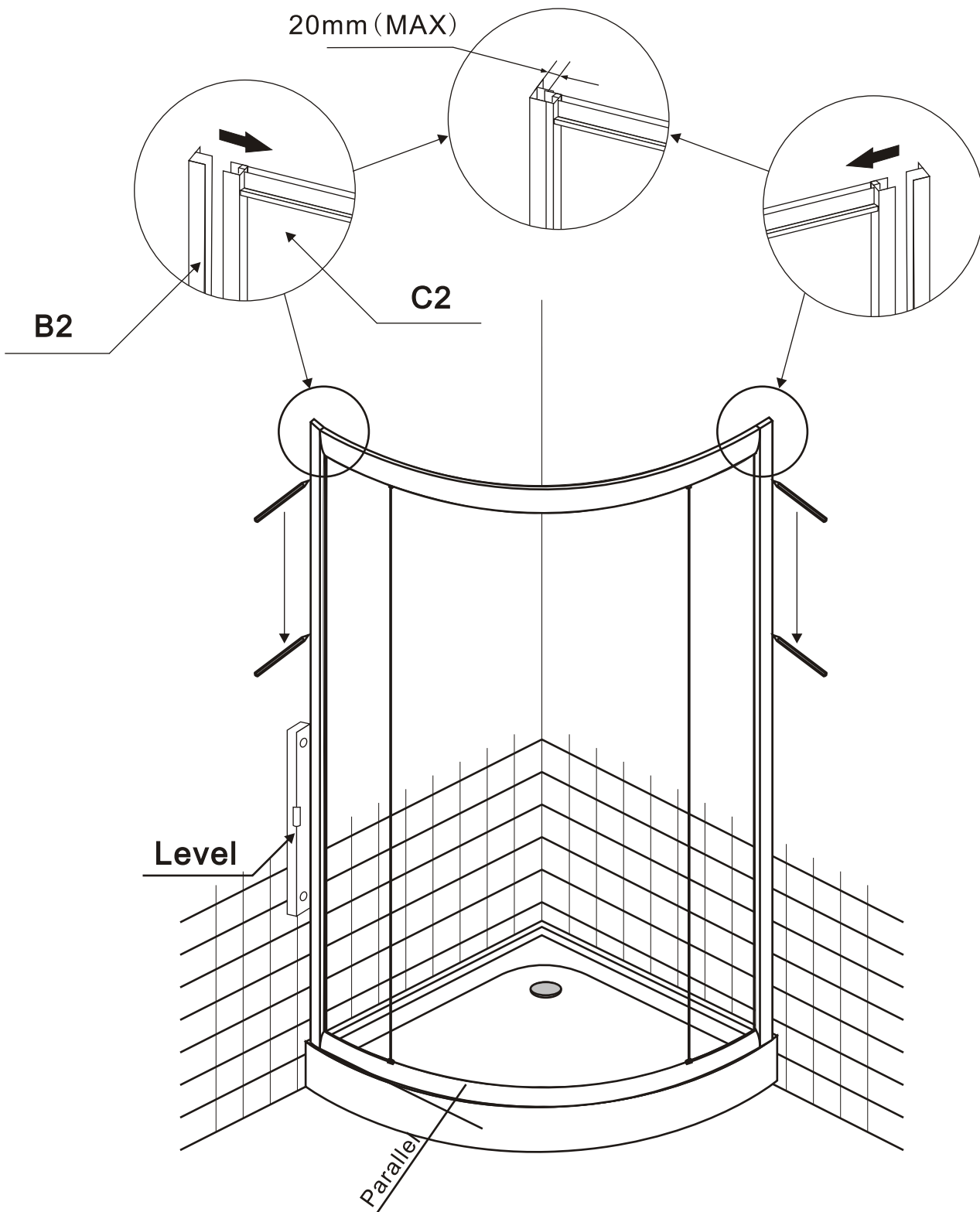
-Each splash seal (H2) provided should be cut into two seals of suitable length

-The seals should be fitted so that the taller side of the seal faces the outside of the enclosure



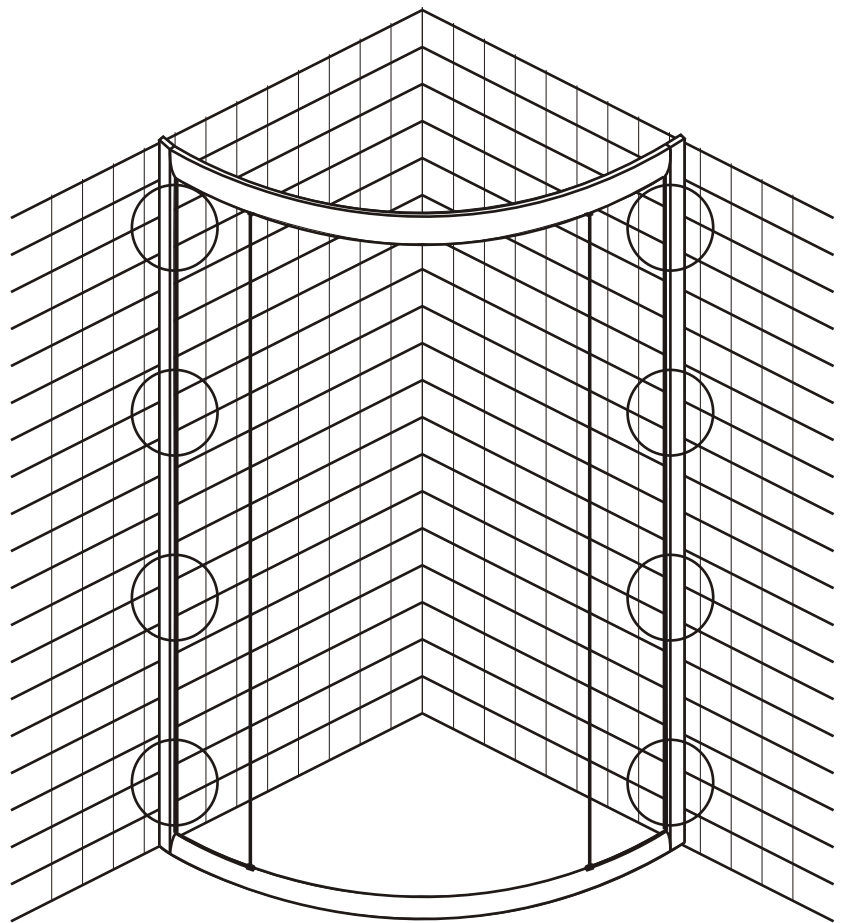
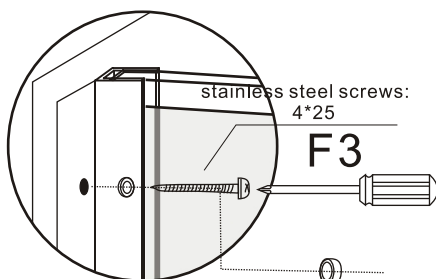
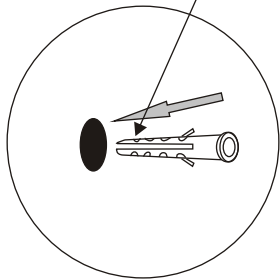
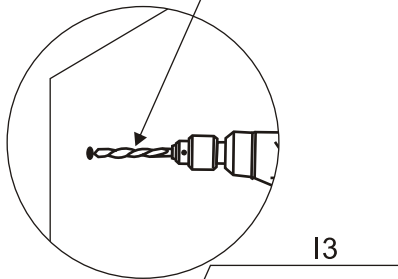
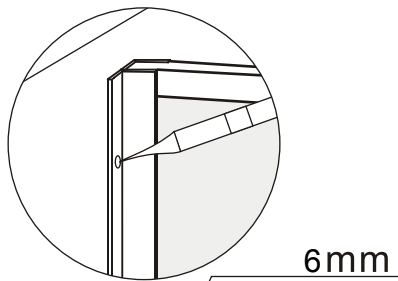
Fixed Side Panel Assembly

- Fit the shower tray in the required position, in accordance with the instructions provided with it. If the shower tray is not needed, please choose a suitable flooring area, where you want the enclosure to be.
- Insert the wall profiles (B2) onto the fixed side panels (C2).
Place the fixed side panels on the tray/floor.
- Check with a spirit level and adjust the position until the bottom rail is parallel on the shower tray/floor.
- Adjust the wall profiles until they are in contact with the walls. There is a maximum of 20mm adjustment for out-of-true walls.
- Using a pencil, mark the position of the wall profiles on the walls.
- Remove the fixed side panels from the shower tray/floor.



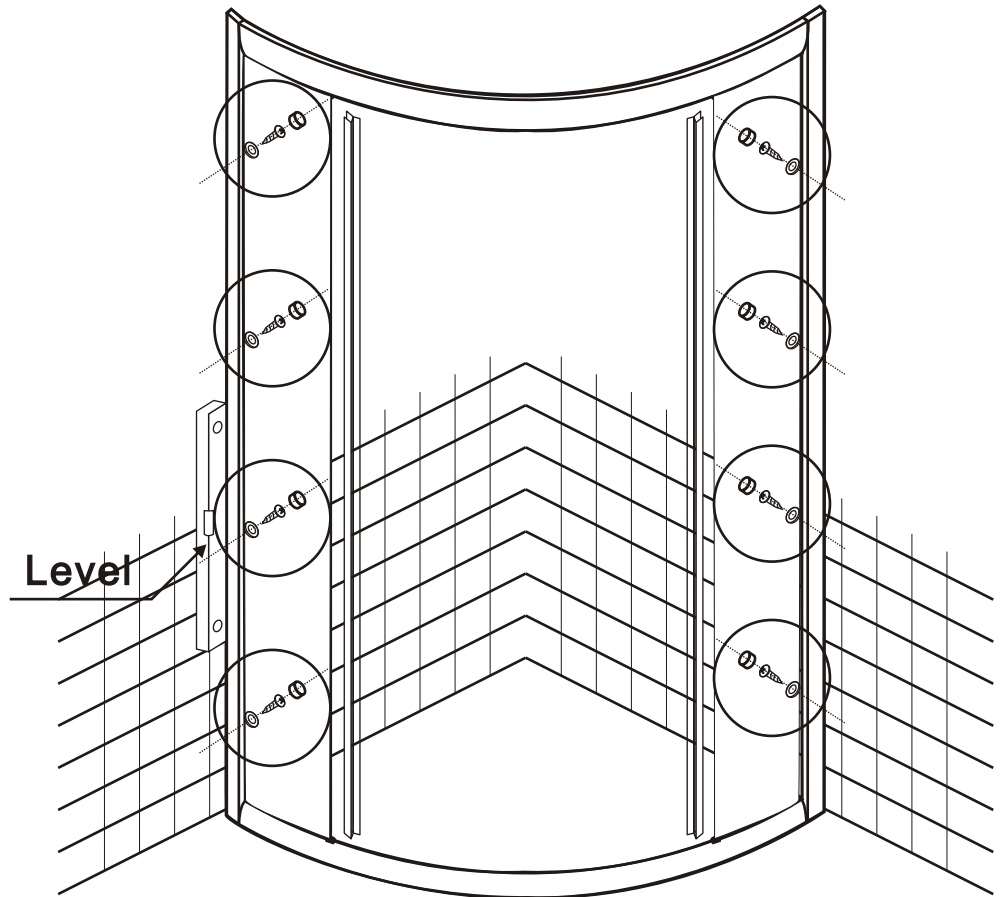
Wall Profile Assembly

- Place the wall profiles back to the marked area.
- Mark the drill points via pre-drilled holes of wall profiles.
- Drill the holes in the wall with $\text{\O}6\text{mm}$ drill bit in 35mm depth.
- Use rubber mallet to insert wall plugs (I3) into the holes.
- Fix the wall profiles to the wall with the screws ST4x25 and plastic screw washers (F3), clip the screw covers on.



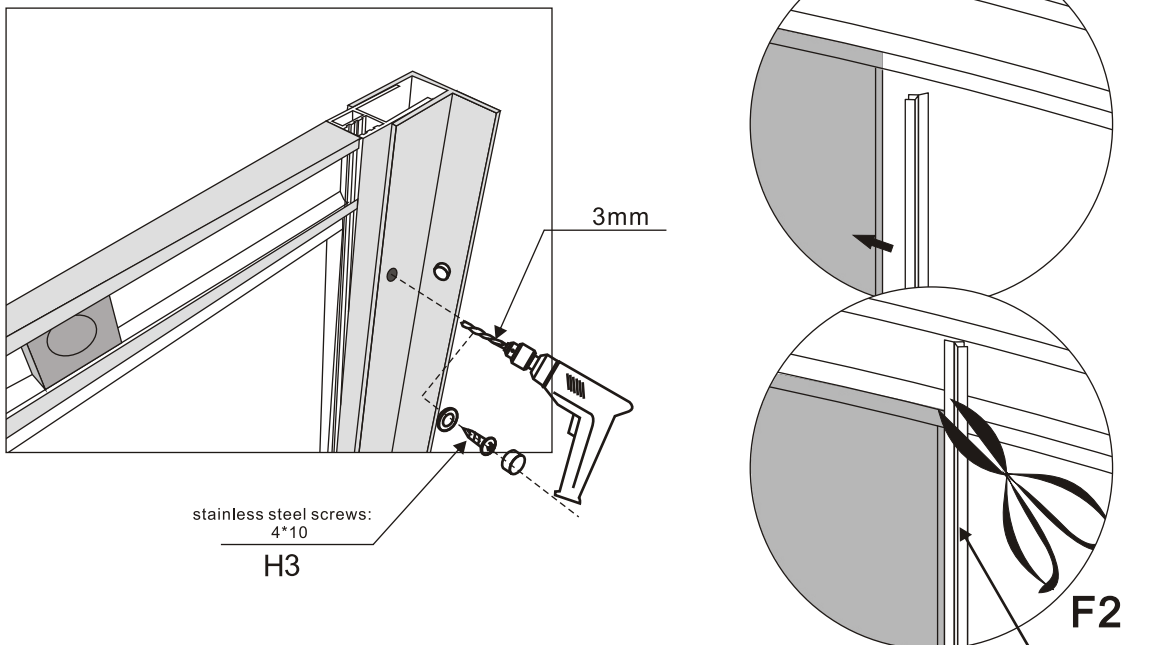
Wall Profile Assembly

- Place the fixed panel set back and push it securely into the wall profiles. Ensure that the fixed panel is parallel on the shower tray/floor. If the enclosure is fixed on the shower tray, ensure that the area around the shower tray is even .
- Drill holes with $\text{Ø}3\text{mm}$ drill bit in 5mm depth on wall profiles (B2).
Do not drill through the profiles, otherwise it will damage the profile's surface.
- Fix with the screws ST4x10 and plastic screw washers (H3), clip the screw covers on.
- Insert vertical seals (F2) onto the side panels, and cut into suitable lengths.



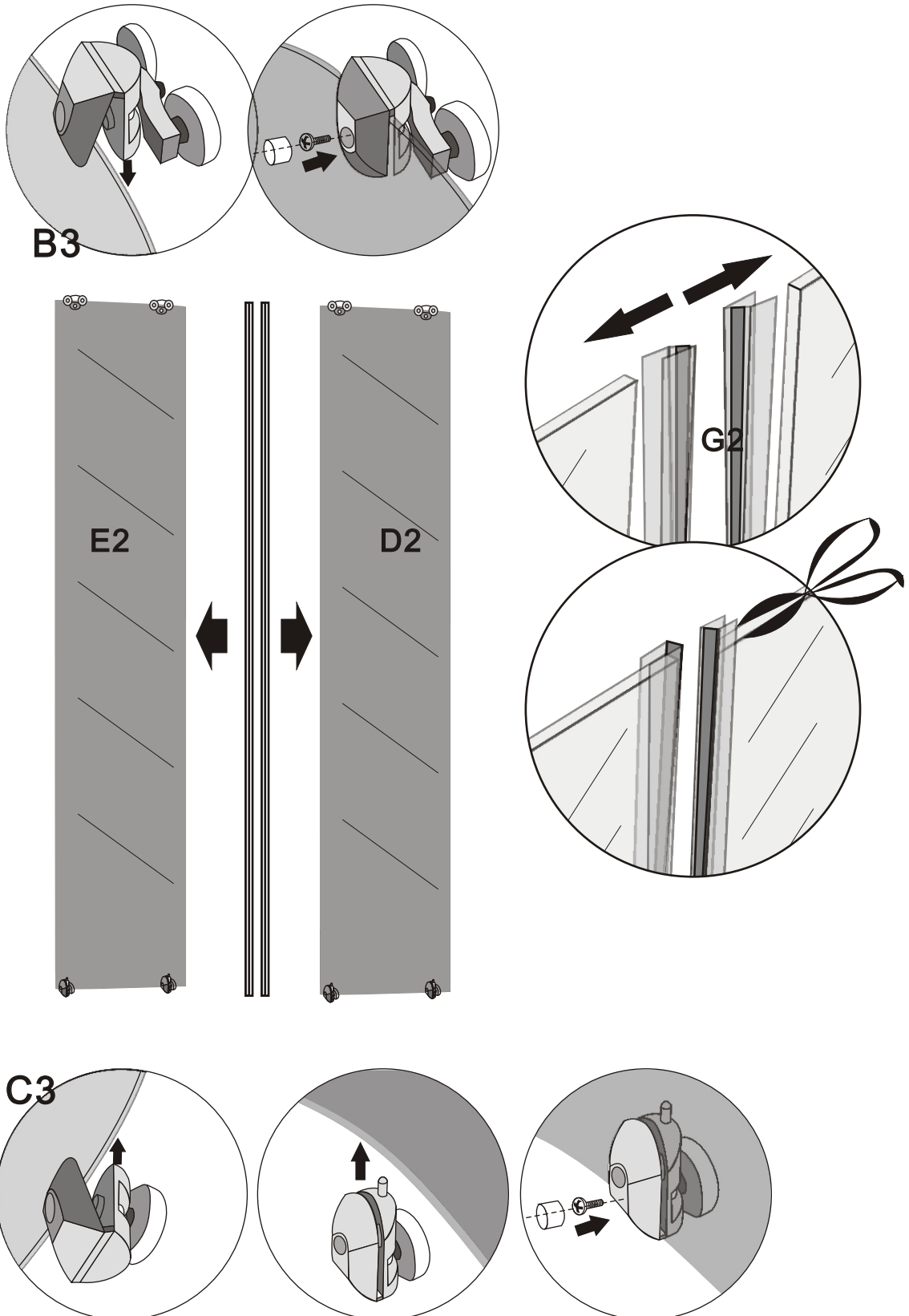
CAUTION:

- THE GLASS IS RETAINED IN THE PROFILES TO A DEPTH OF 10MM.
under no circumstance should it be attempted to drill through the profiles in this region.
Damage to the glass and injury may occur



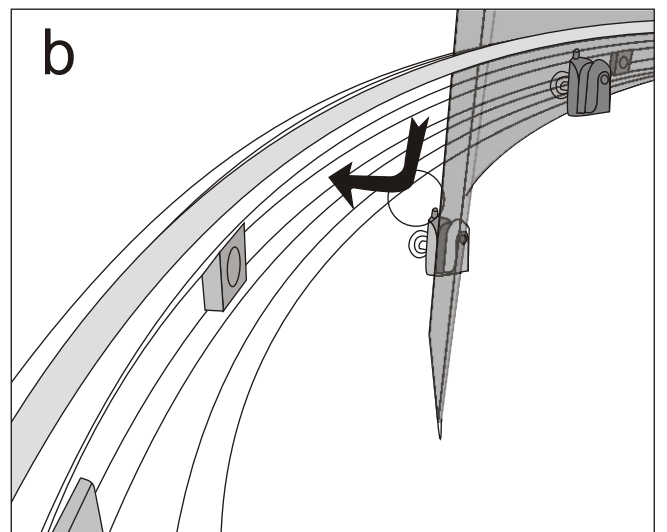
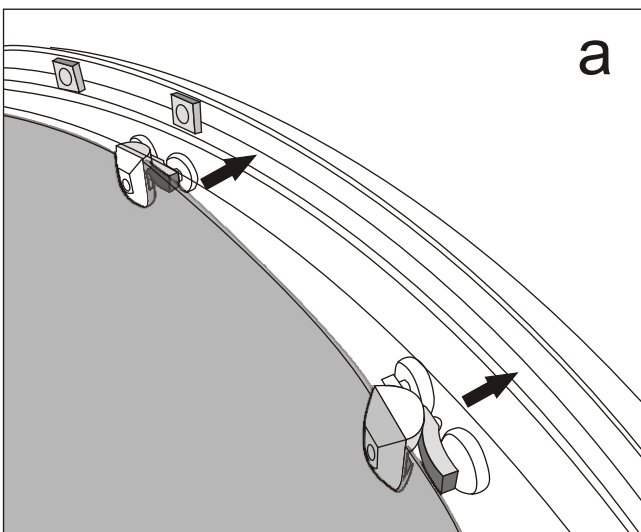
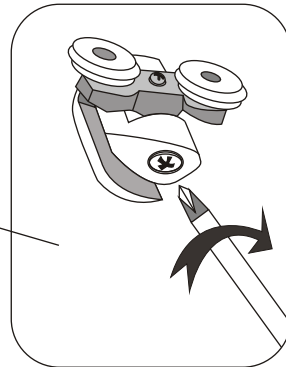
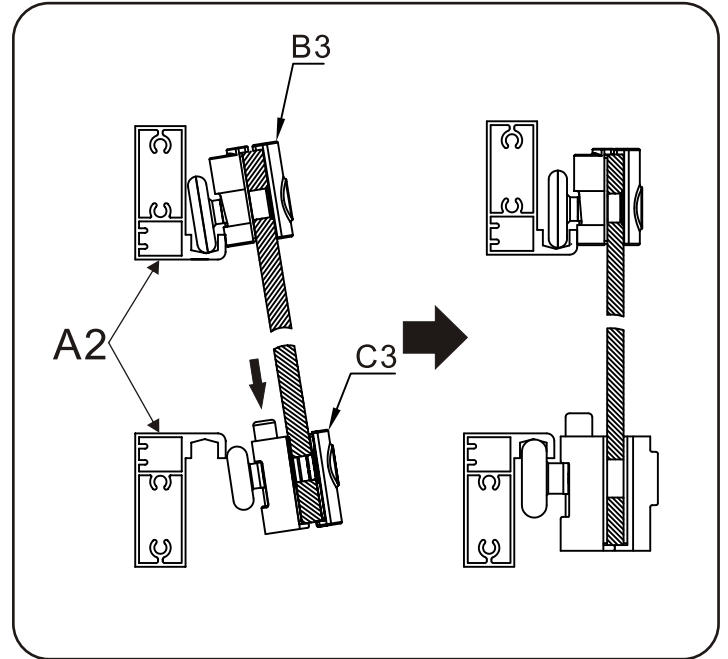
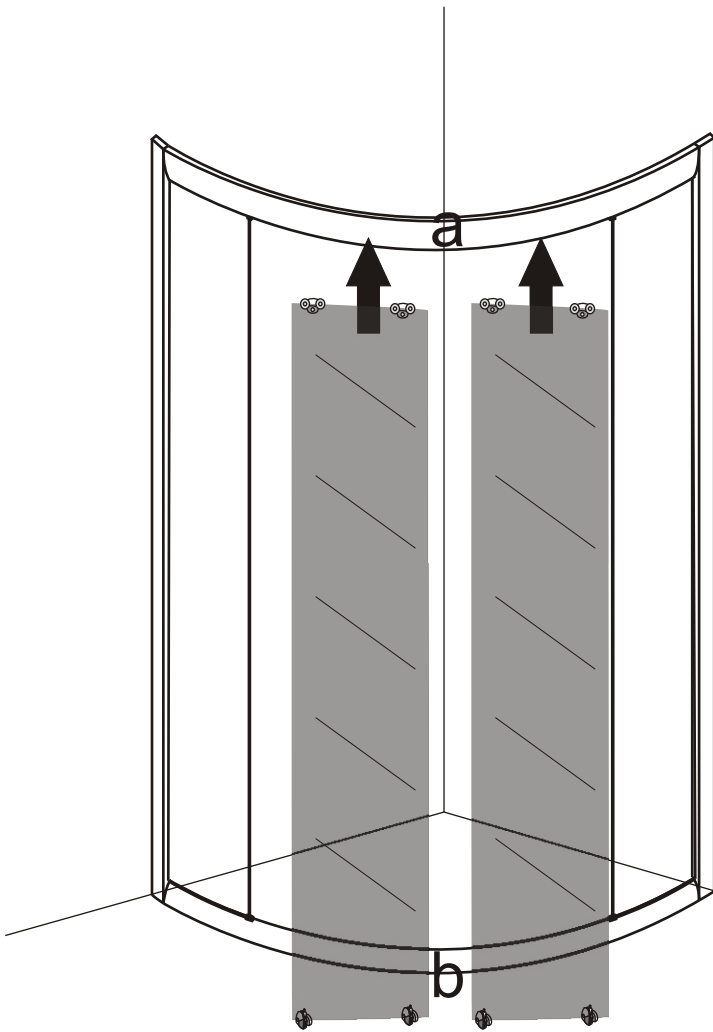
Movable Door Assembly

- Fit the rollers (B3 & C3) onto the left and right hand doors (D2 & E2). Please refer to the diagram below to ensure that the correct rollers are fitted to the top and bottom of the door. Secure the rollers onto the door using a cross-headed screwdriver. Push the cover caps over the screws on the rollers.
- Push the magnetic door seals (G2) onto the left and right hand doors (D2 & E2). Cut the seals to the required length.



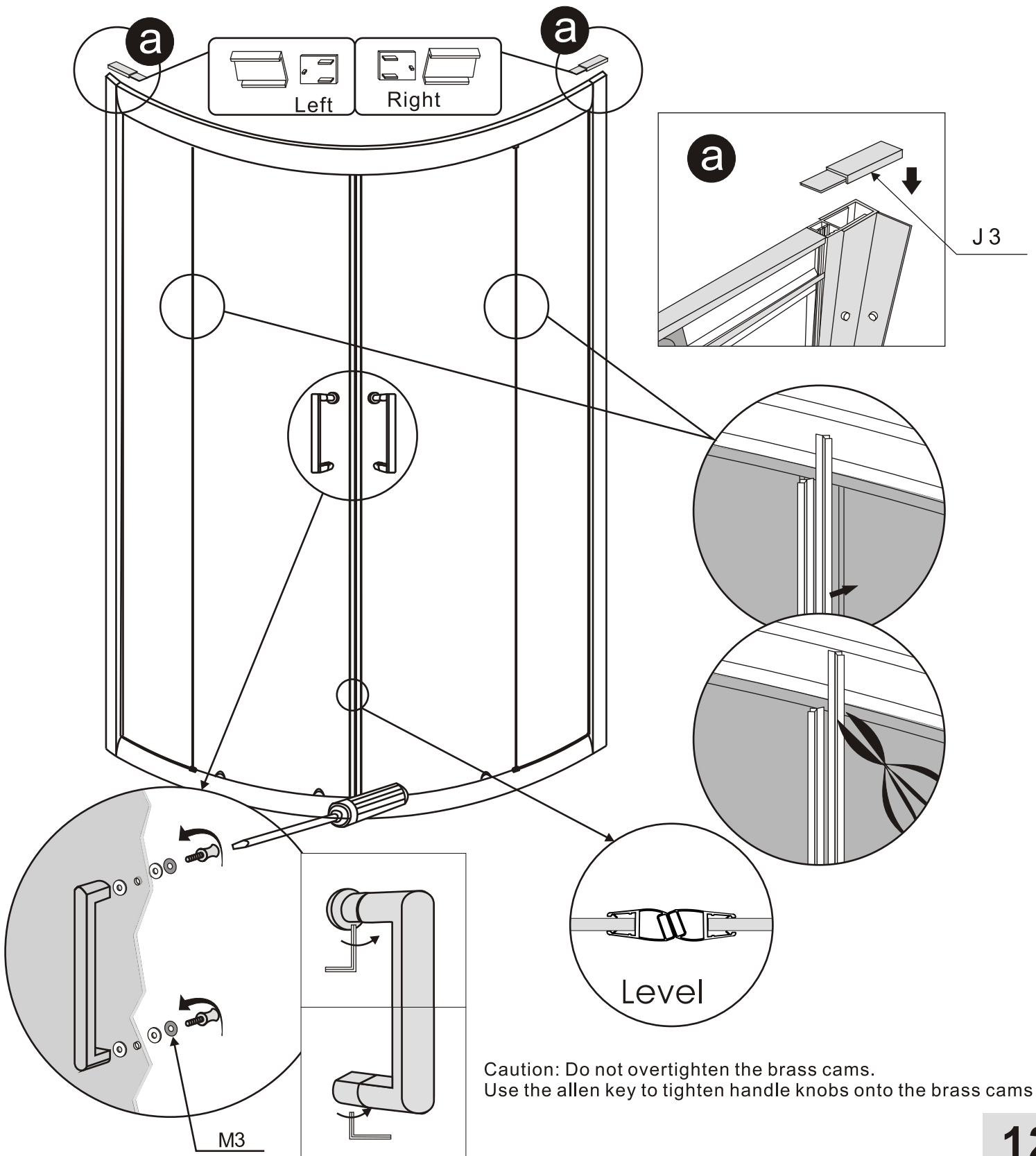
Movable Door Assembly

- To fit the left and right hand doors (D2 & E2) into the top and bottom rails, place the top rollers (B3) into the top rail. Push the button in the bottom rollers (C3) to fit them into the bottom rail
- Using a cross-headed screwdriver, adjust the rollers until the doors slide easily and are vertical



Handle, Splash Seal and Profile Cap Assembly

- Fit the door handles (A3) onto the left and right hand doors (D2 & E2). Note that the rubber washers should be placed either side of the glass and the stainless washer (M3) should be placed between the rubber washers and the threaded bolts on the inside of the door (see diagram below). Do not overtighten. Push the door handles onto the bolts and secure in place using the Allen key (L3)
- Push the vertical seals (F2) onto the left and right hand doors (D2 & E2). Cut the seals to the required lengths.
- Push the profile caps (J3) onto the top of the wall profiles.



Apply Silicone Sealant

- Apply silicone sealant to all joints between wall profiles and tray.
- Do not use the enclosure for 24 hours, to allow the silicone to dry completely.

