

ROOM FOLD SLIDING FOLDING INTERNAL DOORSET FITTING & FIXING GUIDELINES

IMPORTANT You can only assemble these door configurations by using the frame provided. Your warranty will be invalid if other alternatives are used.

All loads are taken by the top track to ensure smooth, light operation and long life. Prior to installing this doorset, inspect for damage and do not proceed to fit if any noticeable damage or defect is evident. This doorset should be stored in a dry flat location before installation.



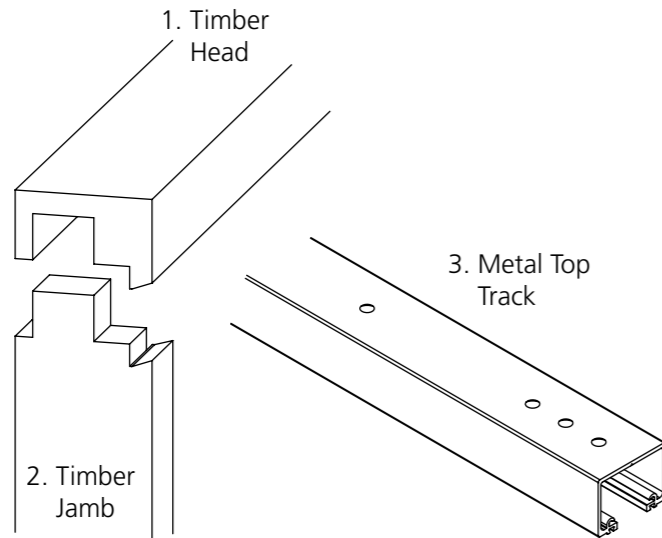
CAUTION This product needs to be installed by a competent tradesperson with assistance. Two people are required to carry out the installation, as some components are heavy.

The outer frame requires fixing to the supporting structure above the opening.

The opening **MUST** be capable of carrying the load of the doorset in all conditions. Doors & frame must not be trimmed.

Components

1. Timber Head
2. Timber Jamb
3. Metal Top Track
4. Pivot Set
5. Intermediate Carrier Set
6. Offset Handle Hinge Set
7. Straight Handle Hinge Set
8. End Hanger Set
9. Flush Bolt
10. Latch Keep

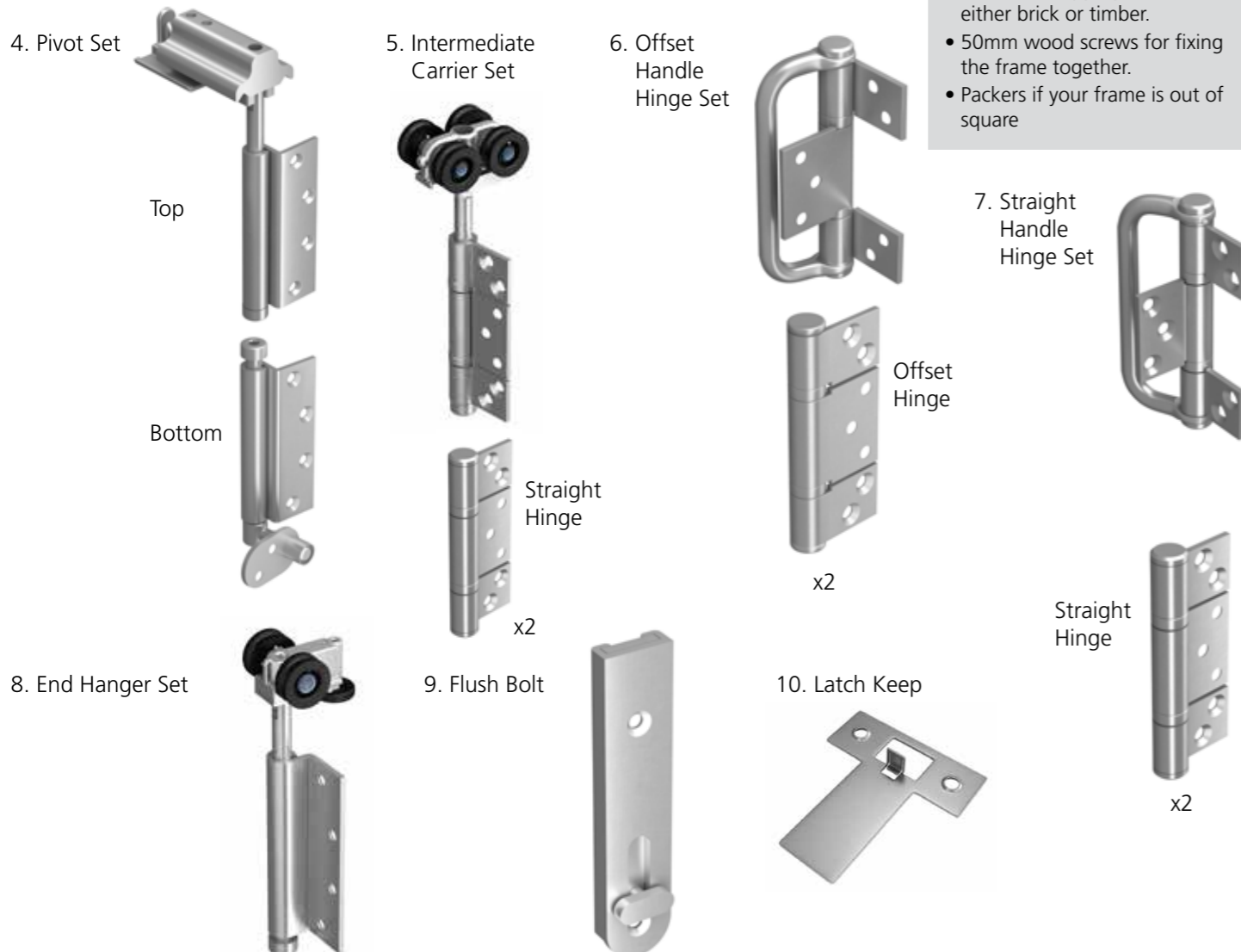


Tools required

- Spirit level
- Masonry drill
- 2mm, 3mm & 12mm wood drill bit
- Cordless screwdriver
- 5 metre measuring tape
- Mallet
- Hand router or wood chisels
- Hand timber saw
- Metal hacksaw

Materials required

- 90mm fixings for fixing the frame to your opening. These need to be appropriate for either brick or timber.
- 50mm wood screws for fixing the frame together.
- Packers if your frame is out of square



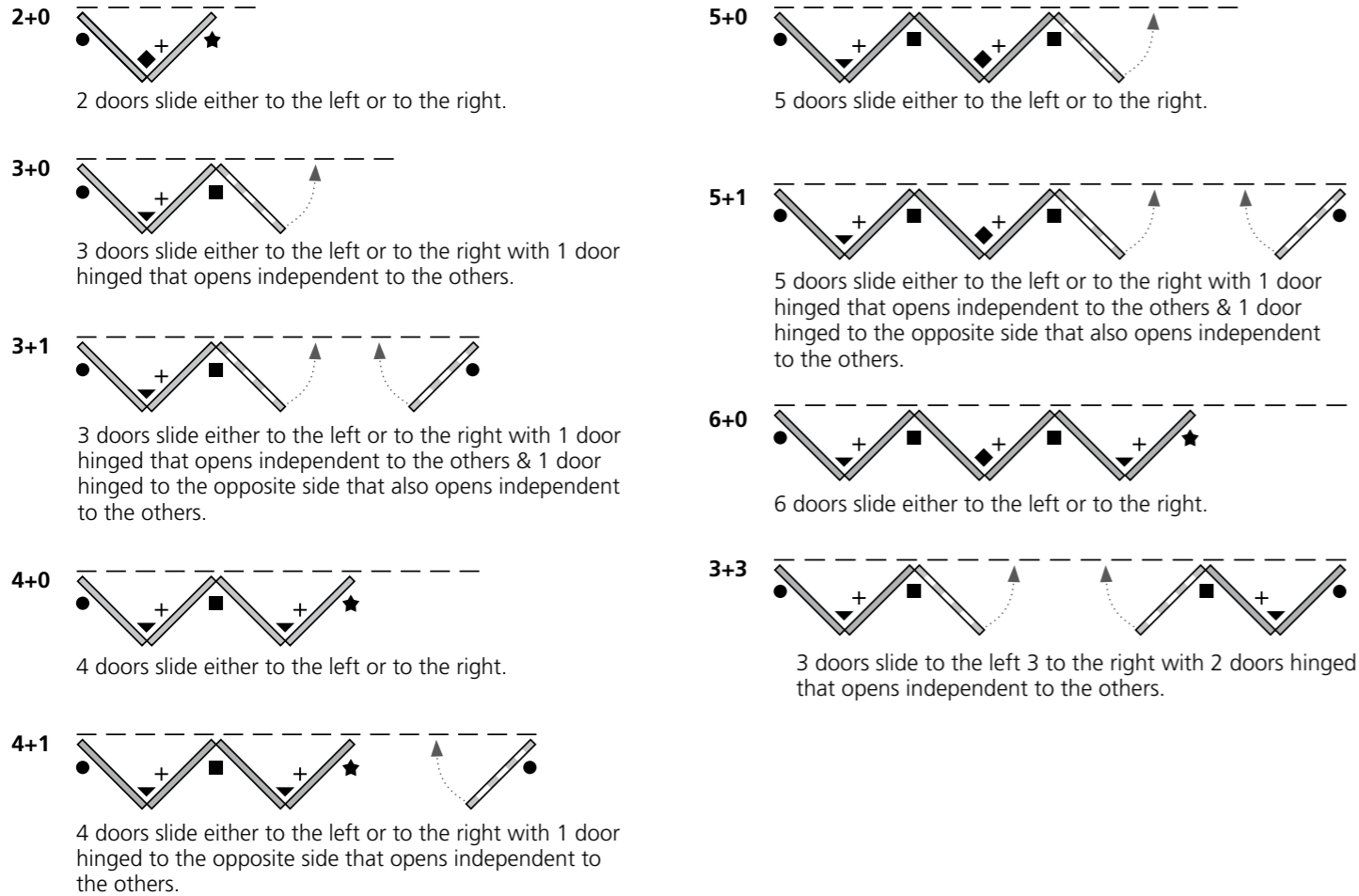
Detailed pack contents

Component	Door Configuration					
	2+0 1319mm	2+0 1471mm	3+0 1929mm	3+0 2157mm	3+1 2545mm	3+1 2849mm
1. Timber Head	1 x 1929mm	1 x 1929mm	1 x 1929mm	1 x 2545mm	1 x 2545mm	1 x 3158mm
2. Timber Jamb Left	1 x 2032mm	1 x 2032mm	1 x 2032mm	1 x 2032mm	1 x 2032mm	1 x 2032mm
2. Timber Jamb Right	1 x 2032mm	1 x 2032mm	1 x 2032mm	1 x 2032mm	1 x 2032mm	1 x 2032mm
3. Metal Top Track	1 x 1844mm	1 x 1844mm	1 x 1844mm	1 x 2460mm	1 x 2460mm	1 x 3073mm
4. Pivot Set	1	1	1	1	2	2
5. Intermediate Carrier Set	-	-	1	1	1	1
6. Offset Handle Hinge Set	-	-	1	1	1	1
7. Straight Handle Hinge Set	1	1	-	-	-	-
8. End Hanger Set	1	1	-	-	-	-
9. Flush Bolt	1	1	1	1	2	2
10. Latch Keep	1	1	1	1	-	-

Component	4+0 2545mm	4+0 2849mm	4+1 3158mm	4+1 3538mm	5+0 3158mm	5+0 3538mm
1. Timber Head	1 x 2545mm	1 x 3158mm	1 x 3158mm	1 x 3771mm	1 x 3158mm	1 x 3771mm
2. Timber Jamb Left	1 x 2032mm	1 x 2032mm	1 x 2032mm	1 x 2032mm	1 x 2032mm	1 x 2032mm
2. Timber Jamb Right	1 x 2032mm	1 x 2032mm	1 x 2032mm	1 x 2032mm	1 x 2032mm	1 x 2032mm
3. Metal Top Track	1 x 2460mm	1 x 3073mm	1 x 3073mm	1 x 3686mm	1 x 3073mm	1 x 3686mm
4. Pivot Set	1	1	2	2	1	1
5. Intermediate Carrier Set	1	1	1	1	2	2
6. Offset Handle Hinge Set	2	2	2	2	1	1
7. Straight Handle Hinge Set	-	-	-	-	1	1
8. End Hanger Set	1	1	1	1	-	-
9. Flush Bolt	2	2	2	2	2	2
10. Latch Keep	1	1	-	-	1	1

Component	5+1 3771mm	5+1 4227mm	6+0 3771mm	6+0 4227mm	3+3 3771mm	3+3 4227mm
1. Timber Head	1 x 3771mm	1 x 4227mm	1 x 3771mm	1 x 4227mm	1 x 3771mm	1 x 4227mm
2. Timber Jamb Left	1 x 2032mm	1 x 2032mm	1 x 2032mm	1 x 2032mm	1 x 2032mm	1 x 2032mm
2. Timber Jamb Right	1 x 2032mm	1 x 2032mm	1 x 2032mm	1 x 2032mm	1 x 2032mm	1 x 2032mm
3. Metal Top Track	1 x 3686mm	1 x 4142mm	1 x 3686mm	1 x 4142mm	1 x 3686mm	1 x 4142mm
4. Pivot Set	2	2	1	1	2	2
5. Intermediate Carrier Set	2	2	2	2	2	2
6. Offset Handle Hinge Set	1	1	2	2	2	2
7. Straight Handle Hinge Set	1	1	1	1	-	-
8. End Hanger Set	-	-	1	1	-	-
9. Flush Bolt	3	3	3	3	3	3
10. Latch Keep	-	-	1	1	-	-

Door configurations & ironmongery locations



Ironmongery key & set contents

▼ Half Offset Hinge Set

Half offset hinge x2
Half hinge handle
Half offset hinge 25mm screw pack

■ Intermediate Carrier Set

Intermediate carrier
Intermediate straight hinge x2
Intermediate straight hinge 25mm screw pack

● Pivot Set

Top pivot hinge
Bottom pivot hinge
Top pivot hinge 25mm screw pack
Bottom pivot hinge 30mm screw pack

+ Flush Bolt Set

Flush bolt
Flush bolt 25mm screw pack

◆ Straight Hinge Set

Straight hinge x2
Straight hinge handle
Straight hinge 25mm screw pack

★ End Hanger Set

End hanger
End hanger 25mm screw pack

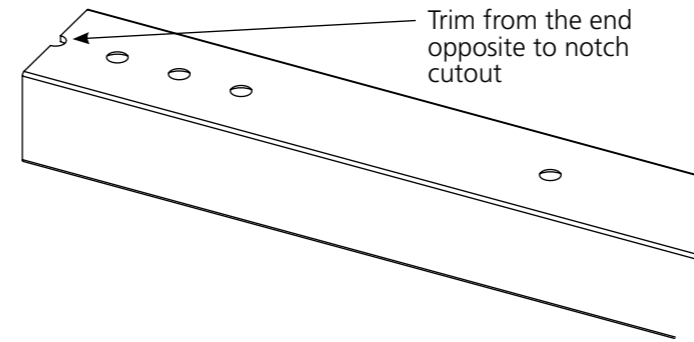
Actual product sizes

2 Door	3 Door	4 Door	5 Door	6 Door
2+0 2047x1319mm	3+0 2047x1929mm	3+1 2047x2545mm	4+1 2047x3158mm	5+1 2047x3771mm
2+0 2047x1471mm	3+0 2047x2157mm	3+1 2047x2849mm	4+1 2047x3538mm	5+1 2047x4227mm
		4+0 2047x2545mm	5+0 2047x3158mm	6+0 2047x3771mm
		4+0 2047x2849mm	5+0 2047x3538mm	6+0 2047x4227mm
				3+3 2047x3771mm
				3+3 2047x4227mm

1 Timber frame head and top metal track trimming

Depending on the width of the Room Fold you have ordered, you may need to trim the timber frame head & metal track. The table shows the amount of trim you need to take off to get to the width required.

Remember: Use appropriate tools for the job, when sawing metal take care & always use suitable eye protection.



Configuration Trim Table

Configuration	Configuration Width	Trim Required
2+0	1319mm	610mm
2+0	1471mm	458mm
3+0	1929mm	N/A
3+0	2157mm	388mm
3+1	2545mm	N/A
3+1	2849mm	309mm
4+0	2545mm	N/A
4+0	2849mm	309mm
4+1	3158mm	N/A
4+1	3538mm	233mm
5+0	3158mm	N/A
5+0	3538mm	233mm
5+1	3771mm	N/A
5+1	4227mm	N/A
6+0	3771mm	N/A
6+0	4227mm	N/A
3+3	3771mm	N/A
3+3	4227mm	N/A

1a Frame assembly

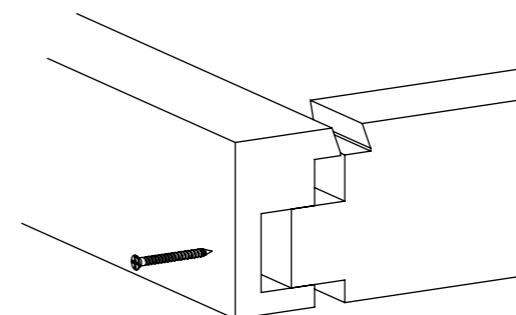
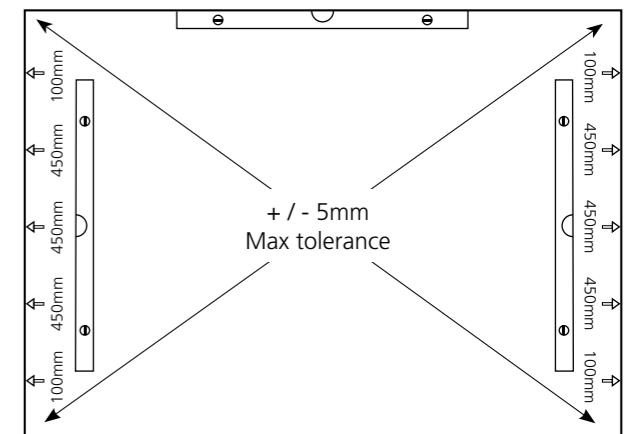
Using a 3mm wood drill bit, make 1 pilot hole through the top of the head into each of the jambs.

Using 50mm wood screws, attach the head and 2 jambs.

Securing the frame to your opening

Using a 3mm wood drill bit, make pilot holes in each jamb as shown in the diagram.

Use 90mm appropriate fixings, depending on your opening, i.e. timber or brick and fix through each of the jambs.



Important: Check the frame is accurately square and plumb. Do not proceed with installation until you are sure the frame is accurately installed. Use packers if required to rectify any out of square openings.

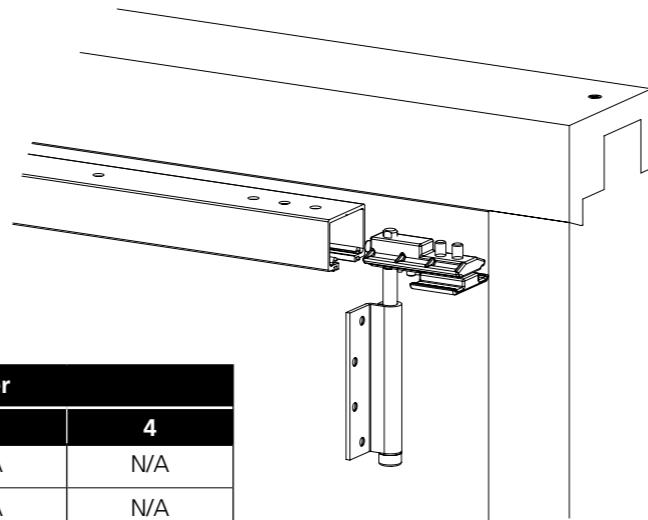
2 Inserting hanging ironmongery & locating and fixing top track

a It is important that the ironmongery used for this system is fitted in the correct order. See the table below which will guide you through this process.

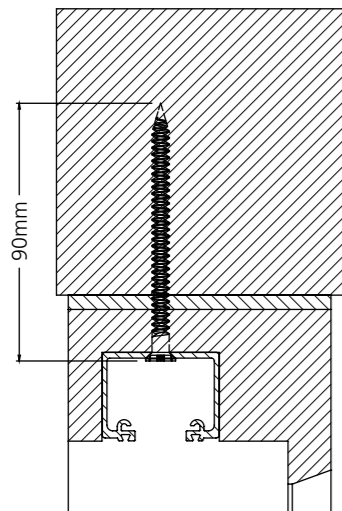
The table shows ironmongery is left hand hung & ironmongery inserted from the right. Please reverse this process for opposite handing.

Configuration	Ironmongery Order			
	1	2	3	4
2+0	●	★	N/A	N/A
3+0	●	■	N/A	N/A
3+1	●	■	●	N/A
4+0	●	■	★	N/A
4+1	●	■	★	●
5+0	●	■	■	N/A
5+1	●	■	■	●
6+0	●	■	■	★
3+3	●	■	■	●

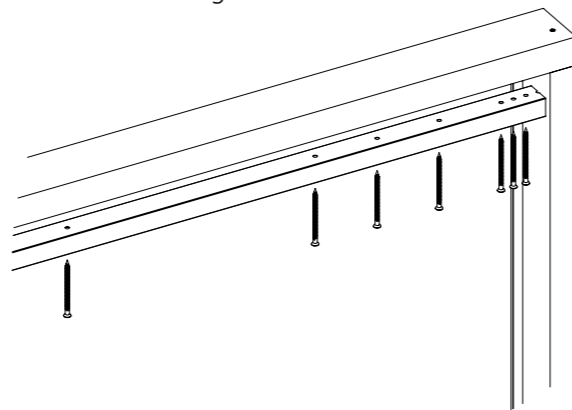
Ironmongery Key
 Top Fixed Pivot ●
 Intermediate Carrier ■
 End Hanger ★



b The top metal track is designed to sit flush in the U channel in the timber frame as shown in the diagram below.

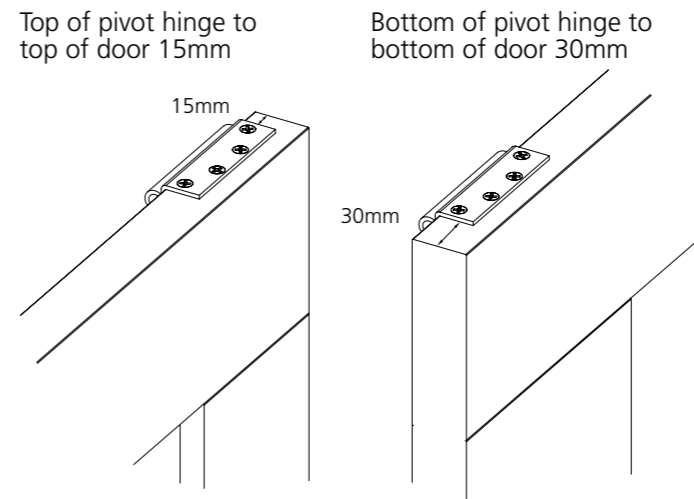


c The top metal track is pre-drilled. Depending on your structure, brick or timber, fix through each pre-drilled hole using 90mm fixings to ensure the load is carried correctly. Do not over tighten.



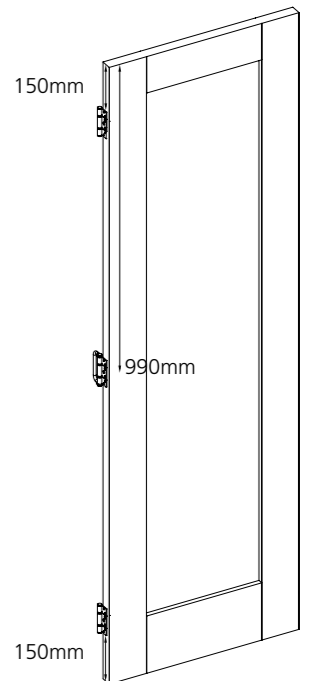
3 Hanging the first door

a Using hinges from the pivot set measure and mark 15mm from the top edge of the door to the top edge of the hinge and measure and mark 30mm from the bottom edge of the door to the bottom of the hinge. Using a 2mm wood drill bit make pilot holes for each of the screw fix locations. Using 25mm screws from the pack, fix the hinges to the door.



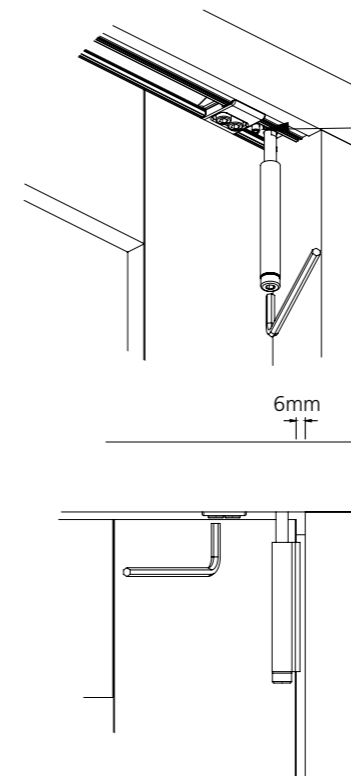
b On the opposite side, measure and mark 150mm from the top of the door edge to the top of the offset hinge, measure and mark 150mm from the bottom of the door edge to the bottom of the offset hinge and measure and mark 990mm from the top of the door edge to the centre screw hole of the offset handle hinge.

Using a 2mm wood drill bit make pilot holes for each of the screw fix locations. Using 25mm screws from the pack, fix the offset hinges to the door.



NOTE: If installing a 2+0 configuration, all hinges will be straight including the handle hinge.

c Insert top threaded hinge pin into the hinge barrel fixed to the door. Offer the door up to the top fixed pivot. Press and hold the button in to allow the hinge on the door to engage with the screw part of the top fixed pivot. Using the allen key provided, tighten until the door is set to the appropriate height for your floor covering. Release the button to allow the top fixed pivot to lock into place.



d The distance between the door frame edge and the edge of door one should be 6mm. Once in this position, using the allen key once more, tighten the hex bolts to keep the top fixed pivot in position in the metal top track. Do not proceed until you have an equal 6mm gap along the door edge to the frame.

4 Fitting the bottom pivot to door one

Now the first door is fixed at the top, insert the bottom pivot pin into the bottom fixed pivot hinge on the door.

Using a pencil, carefully mark the height of the pivot point.

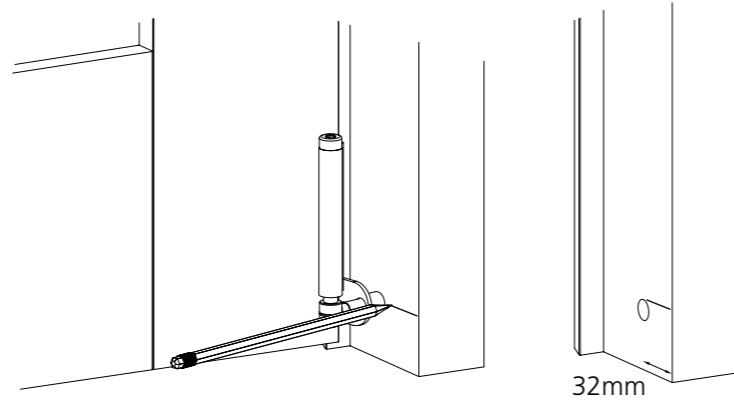
Measure 32mm from the outer edge of the frame & mark with a pencil. Carefully hold the door away, using a 12mm wood drill bit, make a pilot hole into the frame to allow pivot point to sit flush with the frame.

The bottom pivot has some adjustment to allow the door to move left & right. This can be changed by tightening the bolt before you screw the pivot to the frame. To do this remove the hinge pin from the door, adjust, and re-insert the pin.

Screw the bottom fixed pivot into the timber frame using the 30mm screws provided from the pack.

Check the 6mm door edge gap is equal top to bottom.

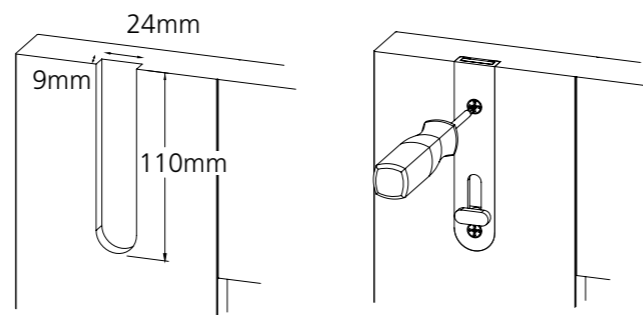
Door one is now hung and complete.



5 Fitting the flush bolts

The flush bolts can be fitted to either the top or the bottom of the door. Dependant on how many doors you have, your configuration will determine which doors you fit the flush bolts to. Please see page 4 for details of where to fit the flush bolts. Extra flush bolts can be ordered separately if you want to add more to your system.

To fit the flush bolts, we recommend the use of a hand router to form the necessary recesses. Alternatively hand tools can be used.



6 Hanging the second door

As a guide use a straight hinge from the intermediate carrier set. Measure and mark 150mm from the top of the door edge to the top of the hinge.

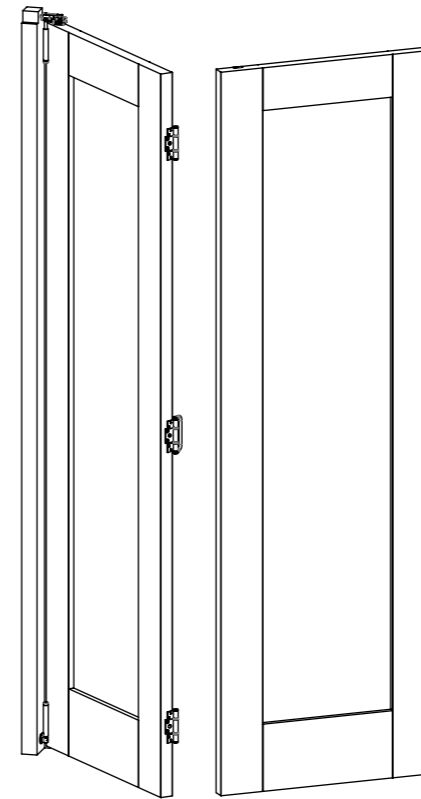
Measure and mark 150mm from the bottom of the door edge to the bottom of the hinge.

Measure and mark 990mm from the top edge of the door to the centre hole of the hinge.

Using a 2mm wood drill bit make pilot holes for each of the screw fix locations

Using 25mm screws from the pack, fix offset hinges on door one to door two.

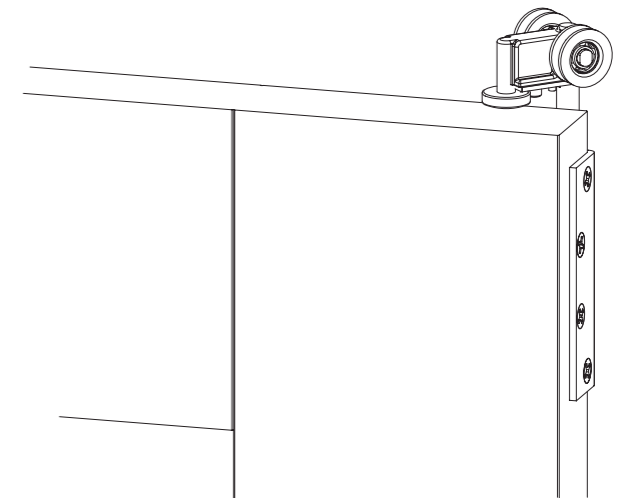
Door two is now attached to door one.



NOTE: If you have a two door configuration the ironmongery will be straight not offset. You will not have an intermediate carrier, but an end hanger.

NOTE: For a 2+0 configuration complete this final step.

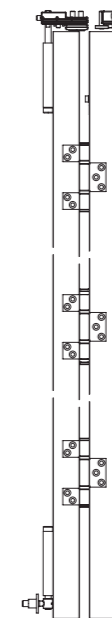
2+0 2 doors slide either to the left or to the right.



Measure 15mm and mark. Attach the door to the end hanger set already in the top metal track using 25mm screws from the pack provided. Making sure the top edge of the hinge lines up with the 15mm mark you have measured.

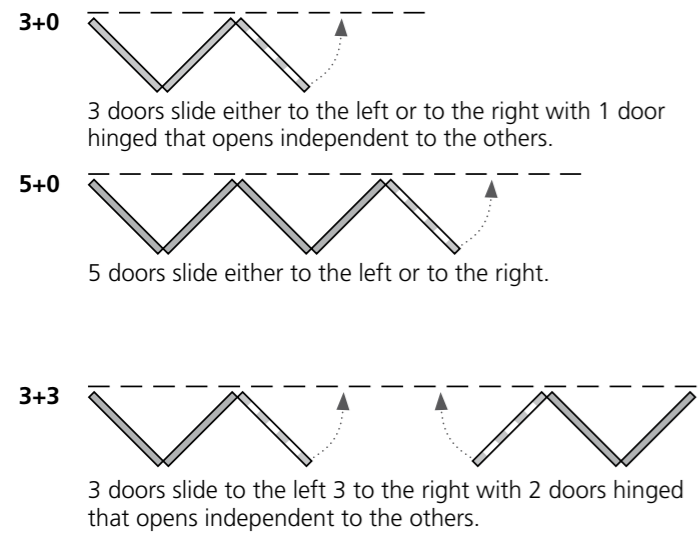
Ironmongery position

2 door 2+0



7 Hanging the extra doors, applicable to the following configurations

3 Door (3+0), 5 Door (5+0), 6 Door (3+3)



Using a straight hinge from the intermediate carrier set. Measure and mark 15mm from the top of the door edge to the top of the hinge.

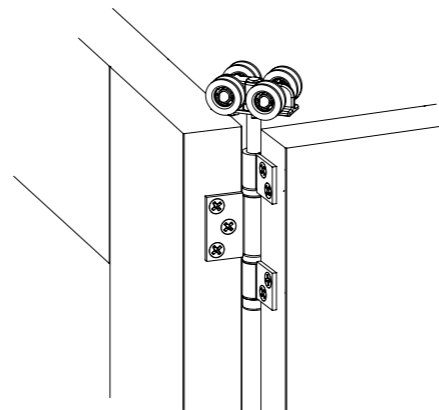
Measure and mark 150mm from the bottom of the door edge to the bottom of the hinge.

Measure and mark 990mm from the top edge of the door to the centre hole of the hinge.

Using a 2mm wood drill bit make pilot holes for each of the screw fix locations.

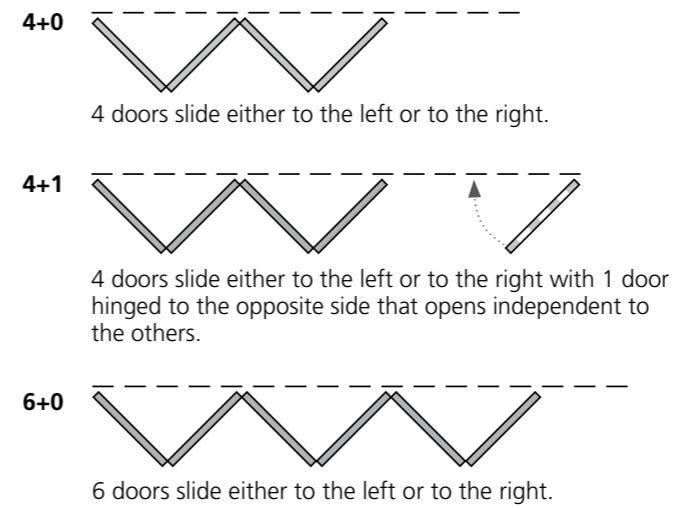
Using 25mm screws from the pack, fix straight hinges from the intermediate carrier set to the bottom and the centre positions.

Attach the intermediate carrier already in the top metal track using 25mm screws from the pack provided to the top position.

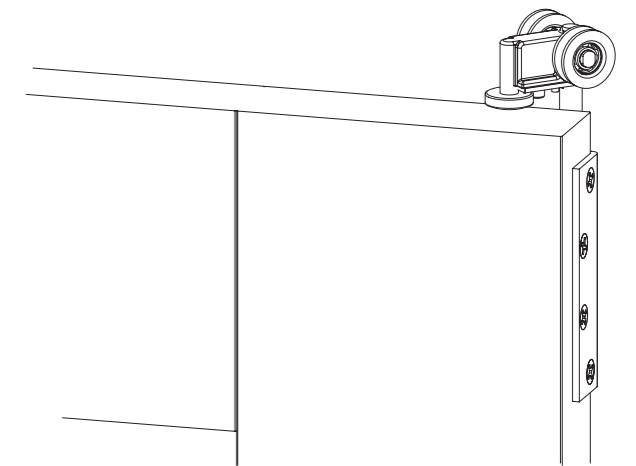


Repeat these steps as necessary depending on the number of doors and configuration you have ordered.

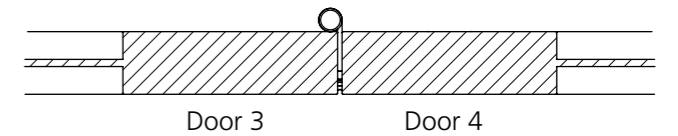
4 Door (4+0), 5 Door (4+1), 6 Door (6+0)



Measure 15mm and mark. Attach the door to the end hanger set already in the top metal track using 25mm screws from the pack provided. Making sure the top edge of the hinge lines up with the 15mm mark you have measured.



NOTE: The second set of offset hinges when used in 4+0 & 6+0 configurations must be reversed in order for the system to operate correctly.

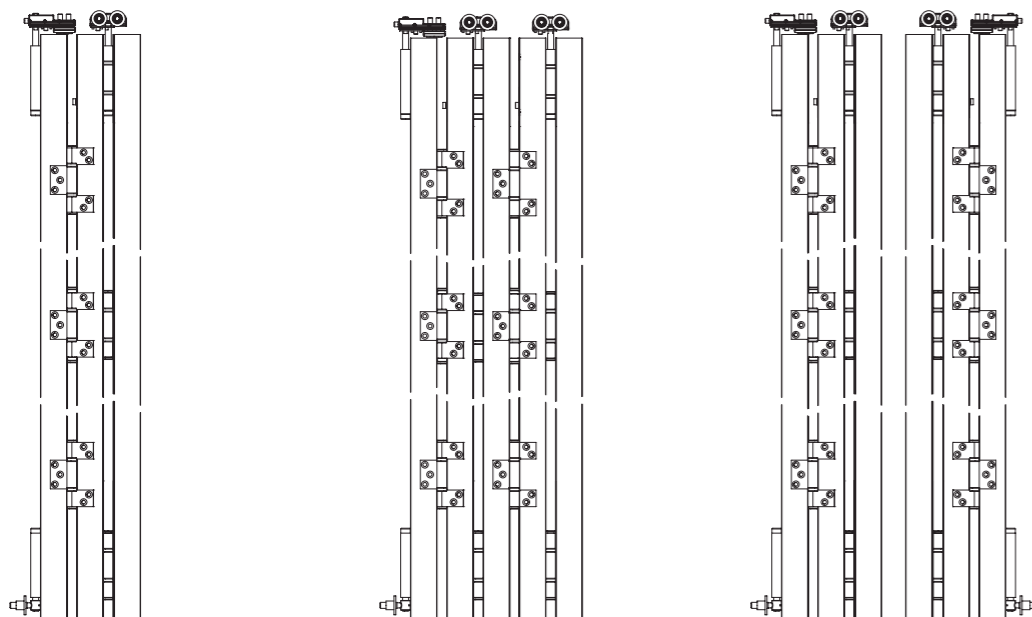


Ironmongery position

3 door 3+0

5 door 5+0

6 door 3+3

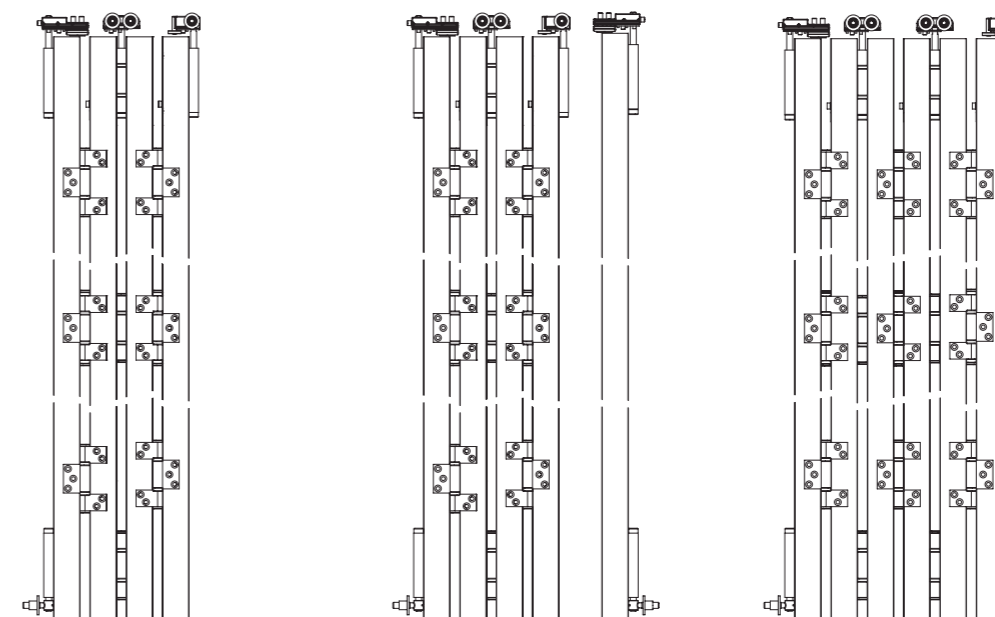


Ironmongery position

4 door 4+0

5 door 4+1

6 door 6+0

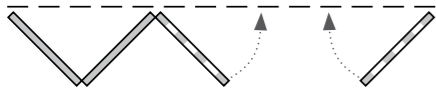


8 Hanging the independent door to the opposite side,

applicable to the following configurations

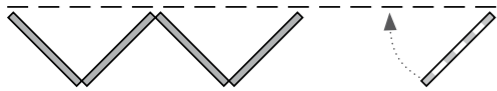
4 Door (3+1), 5 Door (4+1), 6 Door (5+1)

3+1



3 doors slide either to the left or to the right with 1 door hinged that opens independent to the others & 1 door hinged to the opposite side that also opens independent to the others.

4+1



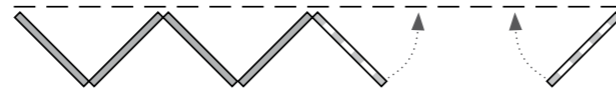
4 doors slide either to the left or to the right with 1 door hinged to the opposite side that opens independent to the others.

a Using hinges from the pivot set, measure, and mark 15mm from the top edge of the door to the top edge of the hinge and measure and mark 30mm from the bottom edge of the door to the bottom of the hinge.

Using a 2mm wood drill bit make pilot holes for each of the screw fix locations.

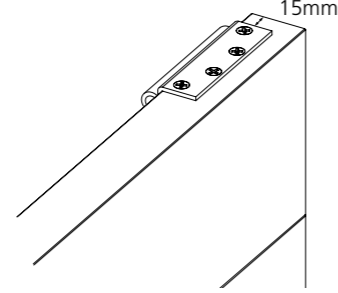
Using 25mm screws from the pack, fix the hinges to the door.

5+1

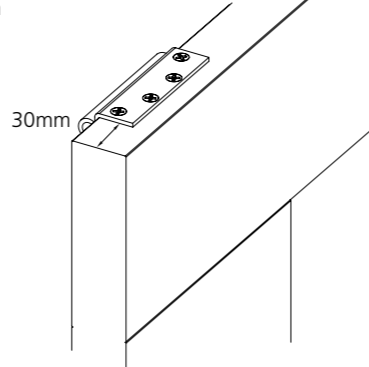


5 doors slide either to the left or to the right with 1 door hinged that opens independent to the others & 1 door hinged to the opposite side that also opens independent to the others.

Top of pivot hinge to top of door 15mm

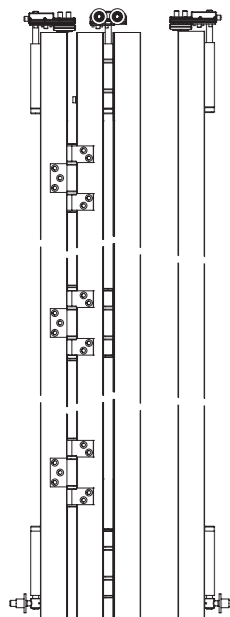


Bottom of pivot hinge to bottom of door 30mm

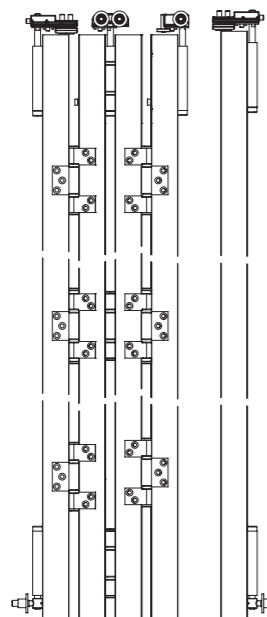


Ironmongery position

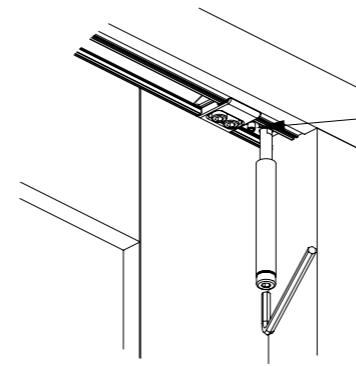
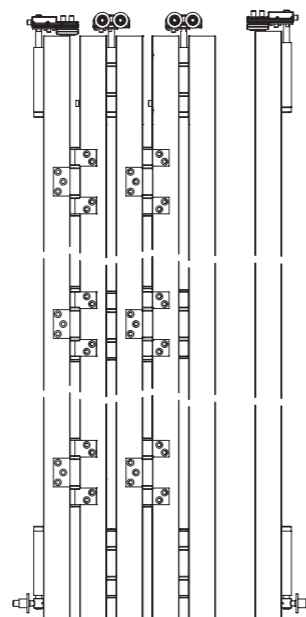
4 door 3+1



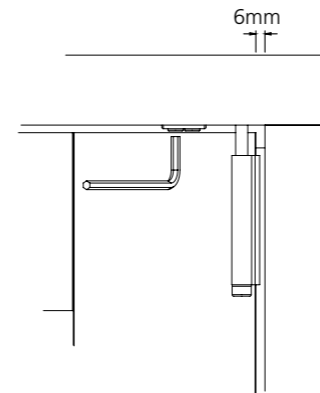
5 door 4+1



6 door 5+1



b Insert top threaded hinge pin into the hinge barrel fixed to the door. Offer the door up to the top fixed pivot. Press and hold the button in to allow the hinge on the door to engage with the screw part of the top fixed pivot. Using the allen key provided, tighten until the door is set to the appropriate height for your floor covering. Release the button to allow the top fixed pivot to lock into place.



c The distance between the door frame edge and the edge of door one should be 6mm. Once in this position, using the allen key once more, tighten the hex bolts to keep the top fixed pivot in position in the metal top track. Do not proceed until you have an equal 6mm gap along the door edge to the frame.

d

Now the door is fixed at the top, insert the bottom pivot pin into the bottom fixed pivot hinge on the door.

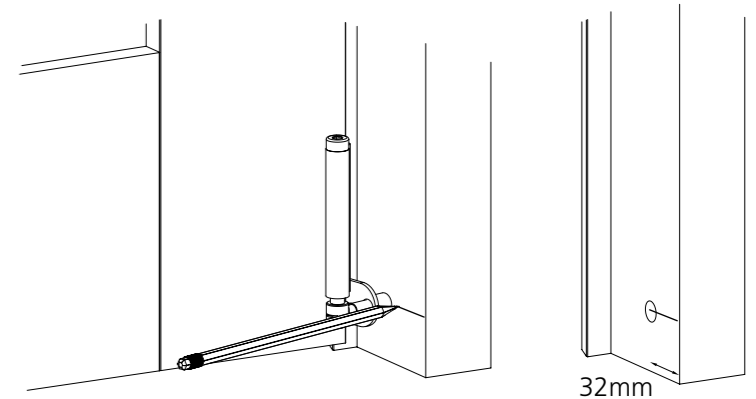
Using a pencil, carefully mark the height of the pivot point.

Measure 32mm from the outer edge of the frame & mark with a pencil. Carefully hold the door away, using a 12mm wood drill bit, make a pilot hole into the frame to allow pivot point to sit flush with the frame.

The bottom pivot has some adjustment to allow the door to move left & right. This can be changed by tightening the bolt before you screw the pivot to the frame. To do this remove the hinge pin from the door, adjust, and re-insert the pin.

Screw the bottom fixed pivot into the timber frame using the 30mm screws provided from the pack.

Check the 6mm door edge gap is equal top to bottom.



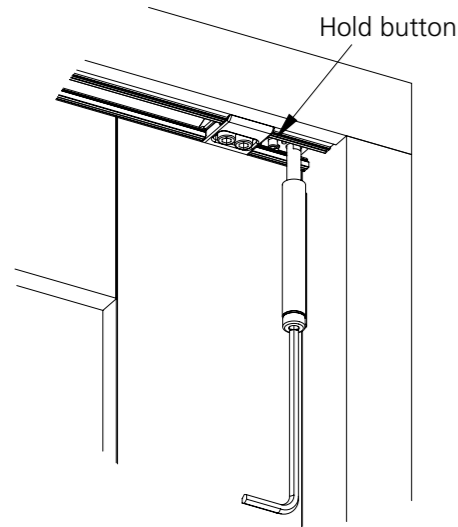
9 Adjustments

You have 15mm appropriate height adjustment when setting the level of the doors.

To do this, press and hold the button and using the allen key either wind up or down as required.

Once completed, release the button to allow the adjustment to lock into place.

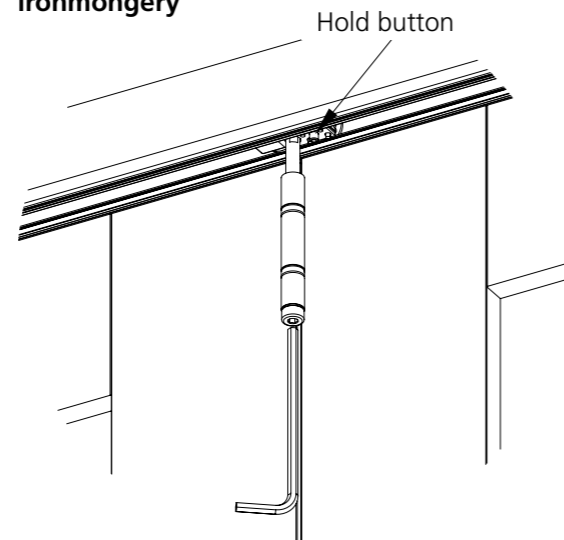
Pivot ironmongery



Remember to keep the allen key safe as you will need this in the future if any adjustments are needed.

Adjusting the pivot and intermediate ironmongery using the allen key provided following the diagrams will increase or decrease any gaps between doors.

Intermediate ironmongery

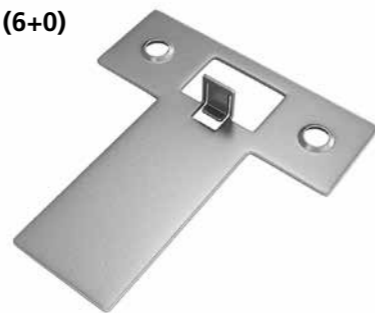


10 Fitting the latch keep, applicable to the following configurations

2 Door (2+0), 3 Door (3+0), 4 Door (4+0), 5 Door (5+0), 6 Door (6+0)

We have included an optional latch keep to be used in conjunction with a standard 65mm latch (not provided). Once you have fitted your latch, simply mark around the keep against the frame in the correct position.

Using a wood chisel, carefully cut around the mark going down by 1.5mm and remove the excess so the latch sits flush to the frame. Finally screw the latch keep to the frame.



11 Finishing

We recommend all finishing work is completed before installation. All doors and components are unfinished.

Oak doors and oak frames can be finished using any varnish, stain, lacquer or paint system.

Primed doors and primed frames can be finished using any paint system.

12 Troubleshooting guide

How do I adjust the door height?

Doors can be adjusted 15mm in height, please follow step 9 in this instruction

My doors don't slide?

Please check for any obvious obstructions in the top metal track

Make sure all screws are tightened up in the opening & not stopping any of the sliding ironmongery from moving past

How often do I have to clean the ironmongery?

Moving parts should be checked, cleaned & lubricated annually

ROOM FOLD | FITTING & FIXING GUIDELINES

