

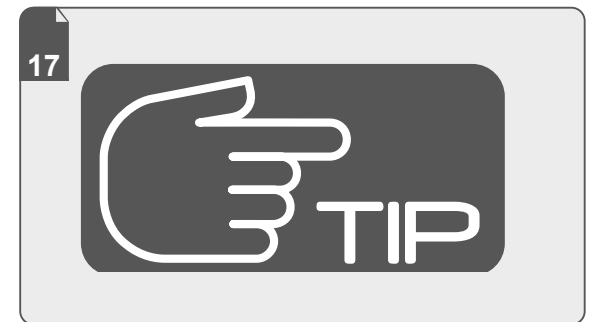
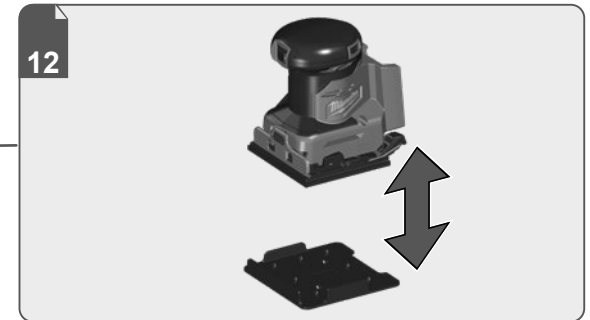
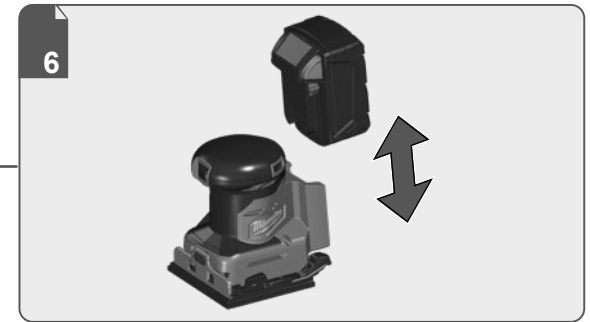
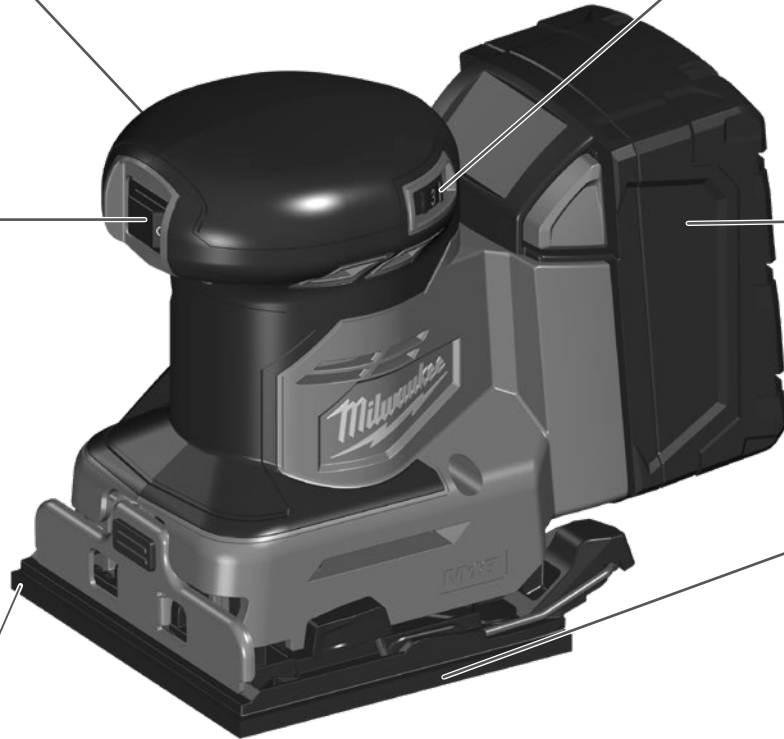
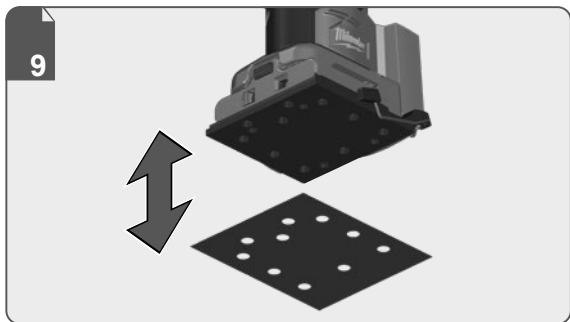
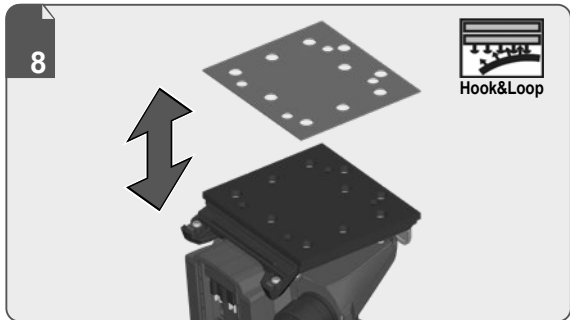
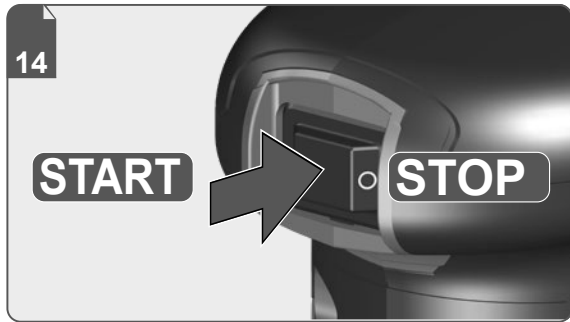
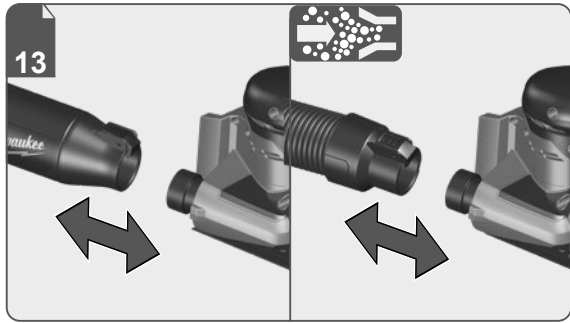


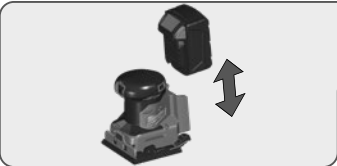
Nothing but **HEAVY DUTY.**[®]



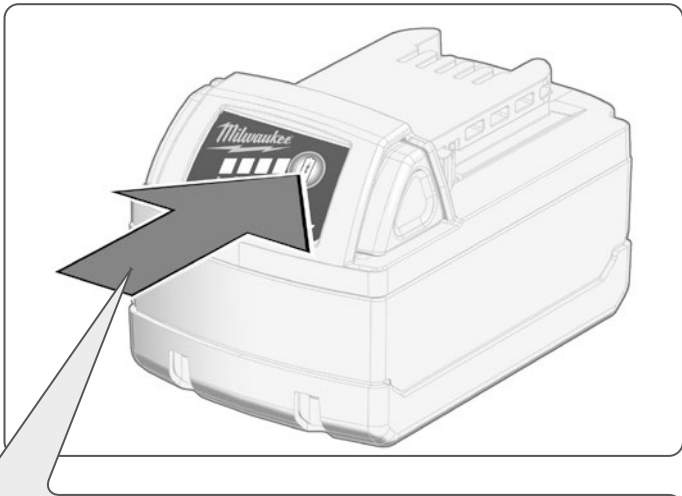
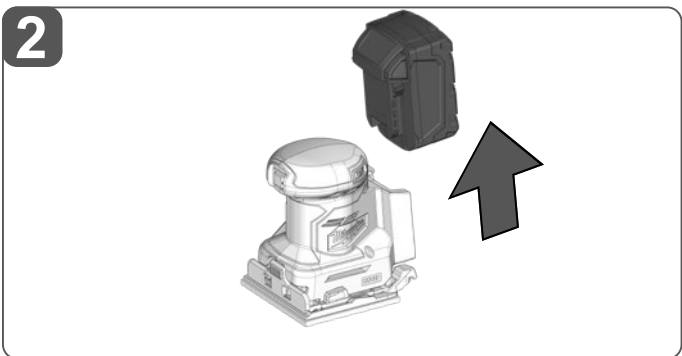
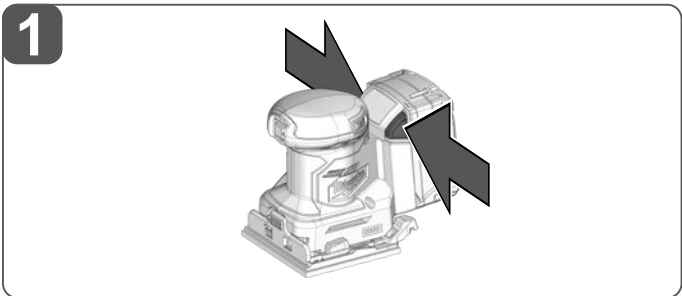
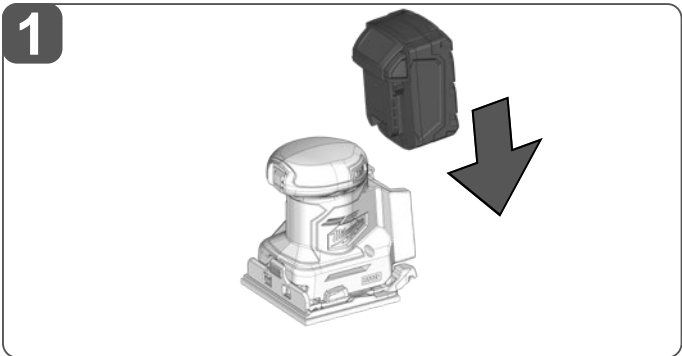
M18 BQSS

Original instructions

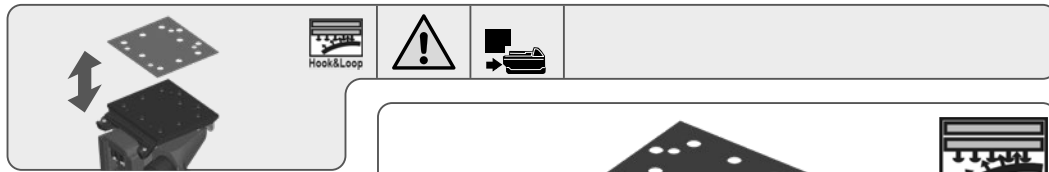




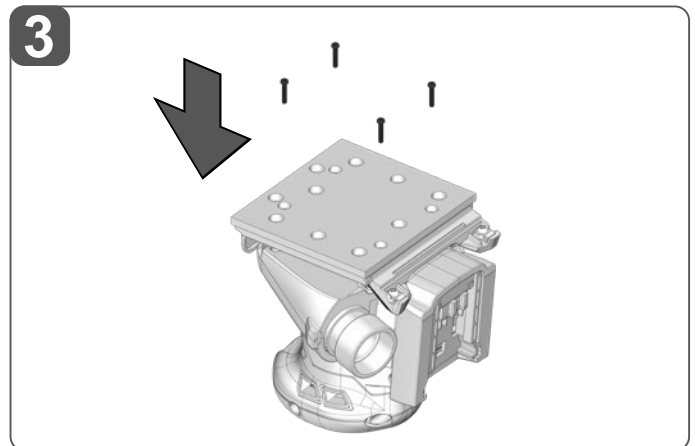
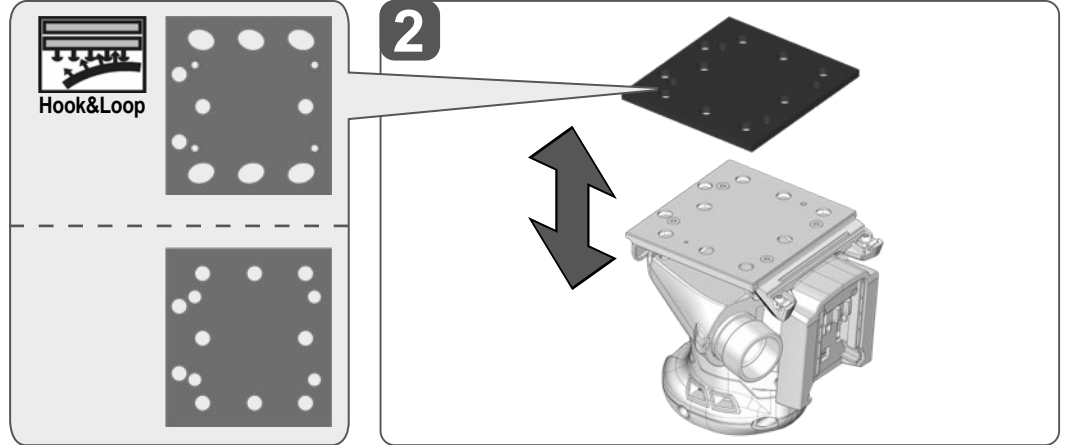
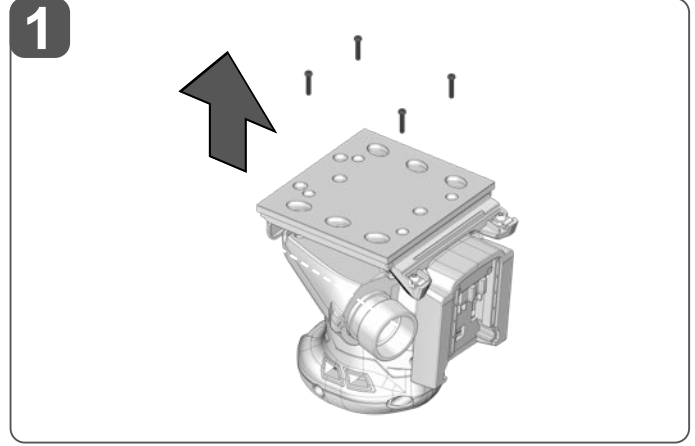
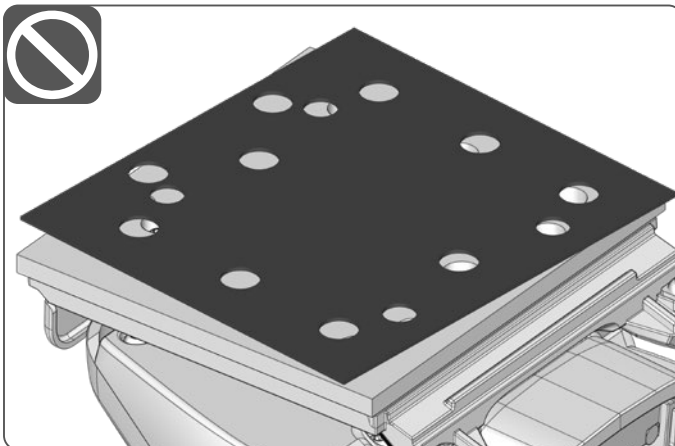
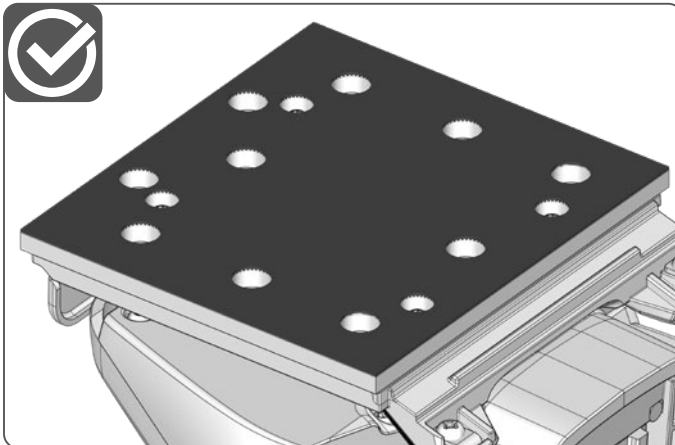
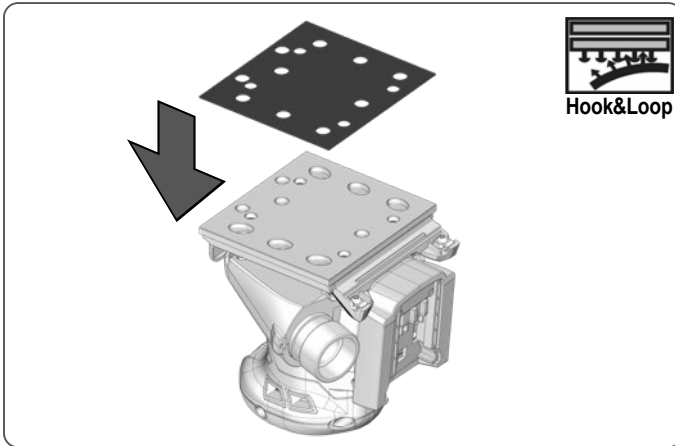
Remove the battery pack before starting any work on the machine.

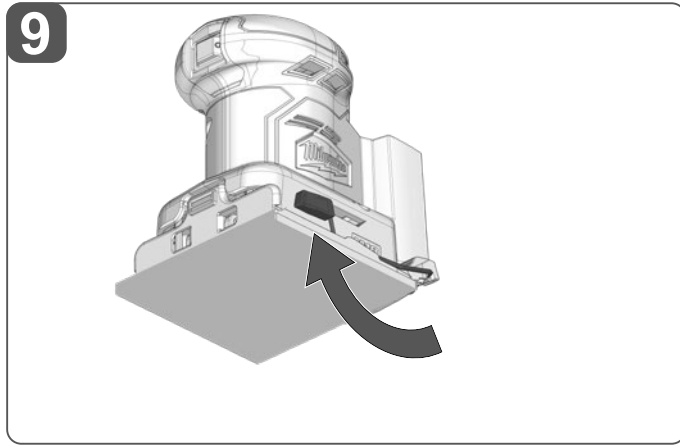
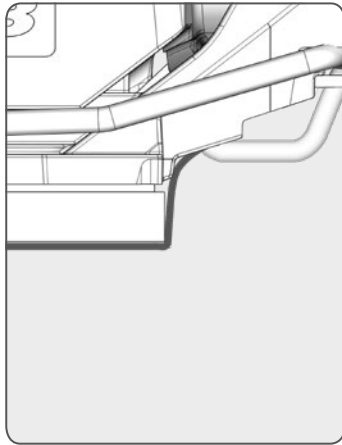
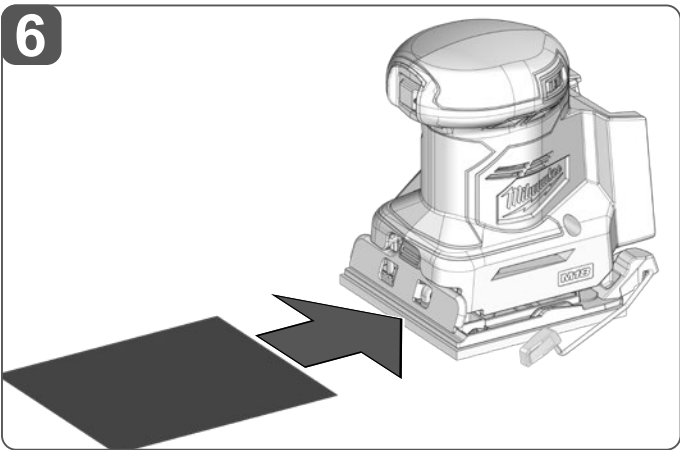
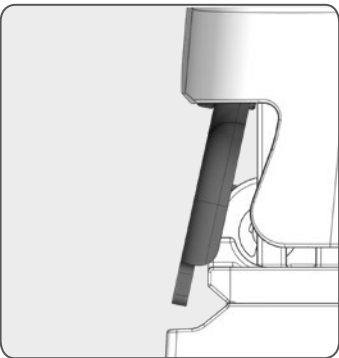
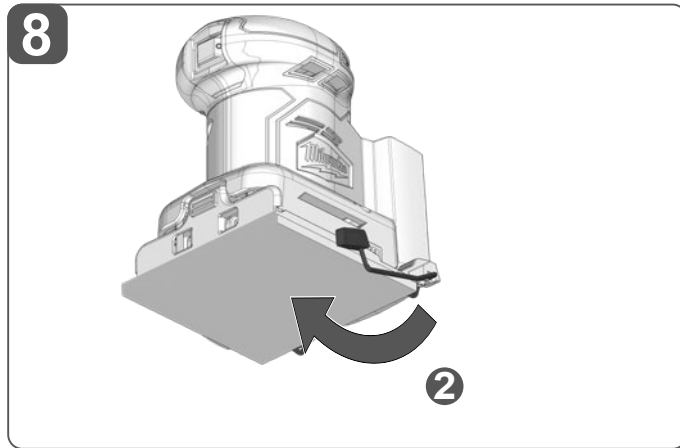
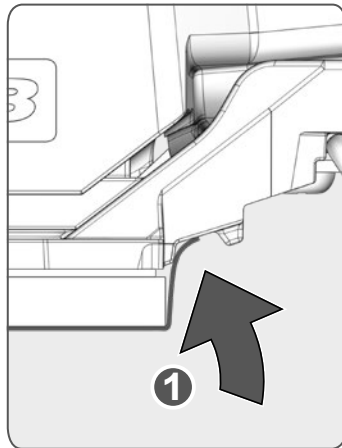
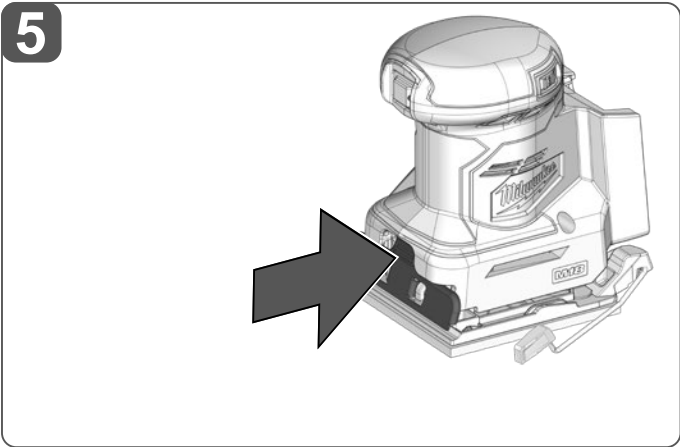
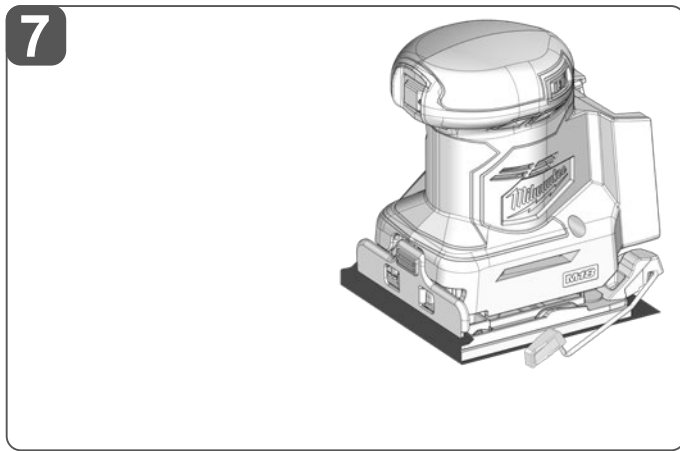
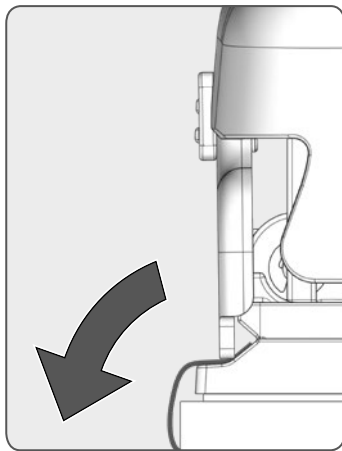
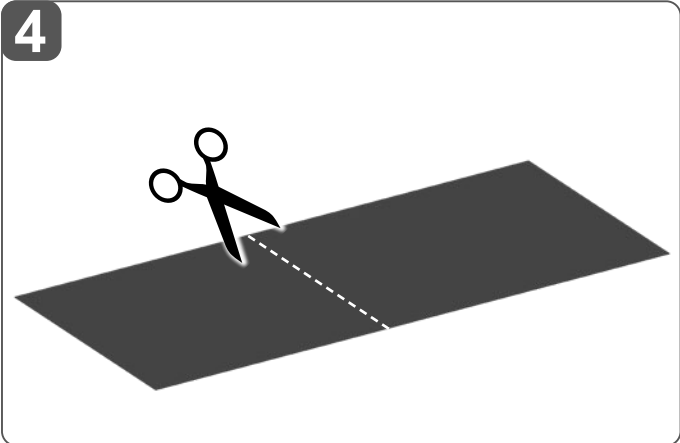
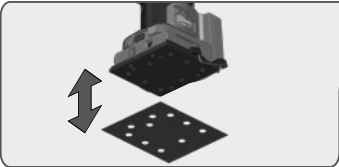


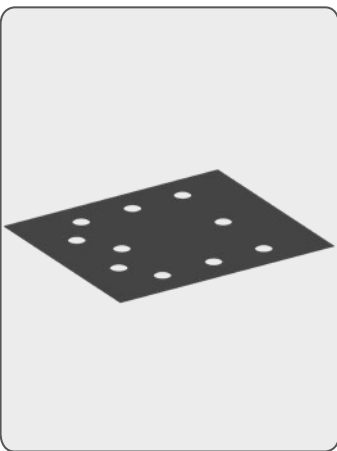
	75-100 %
	50-75 %
	25-50 %
	10-25 %
	< 10 %



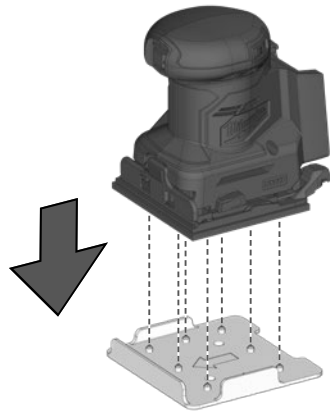
Press carefully the fuzzy side of sanding disc against the packaging pad, as firmly as possible.



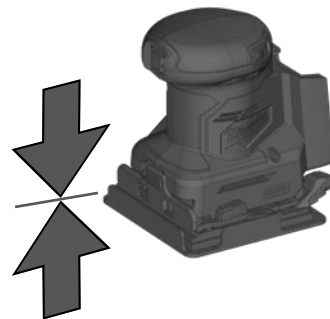




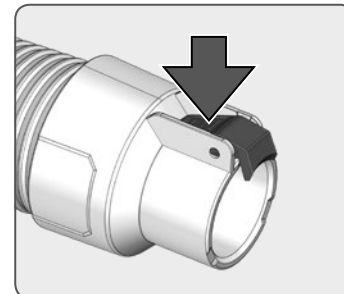
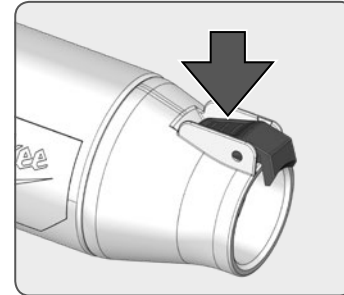
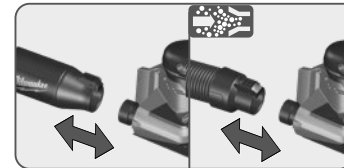
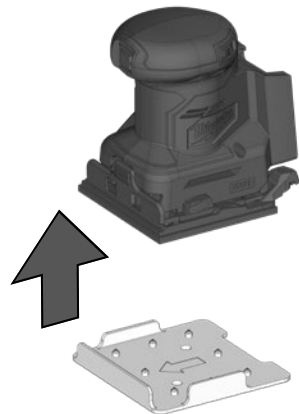
1



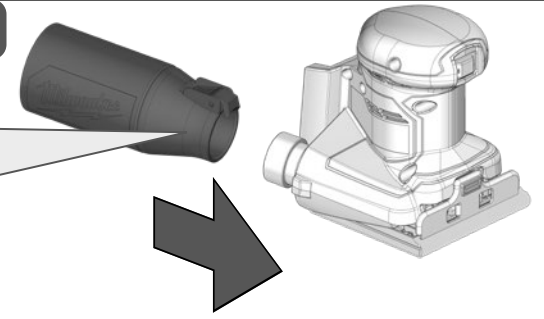
2



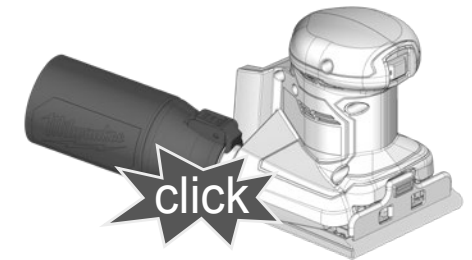
3



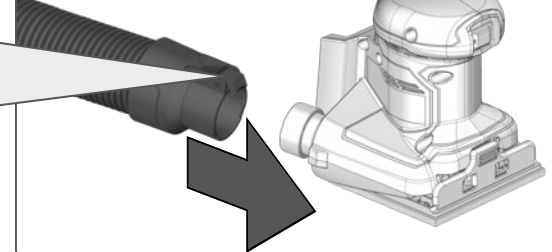
1



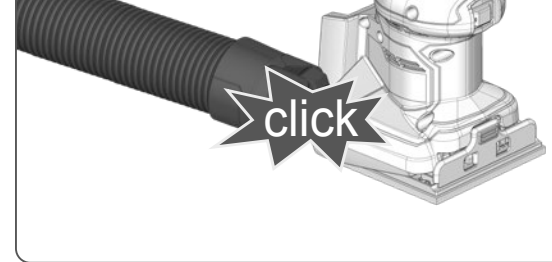
2



1

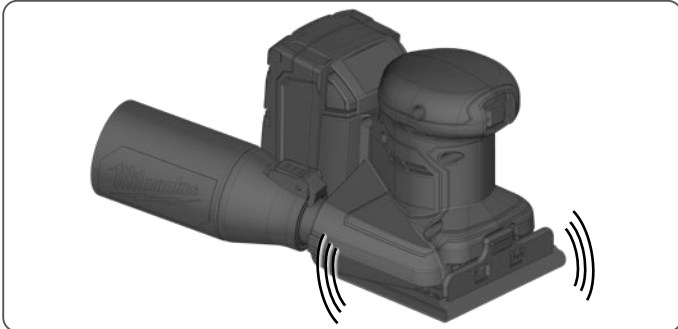
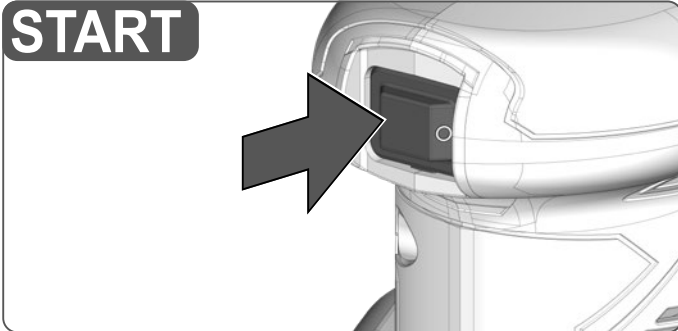


2

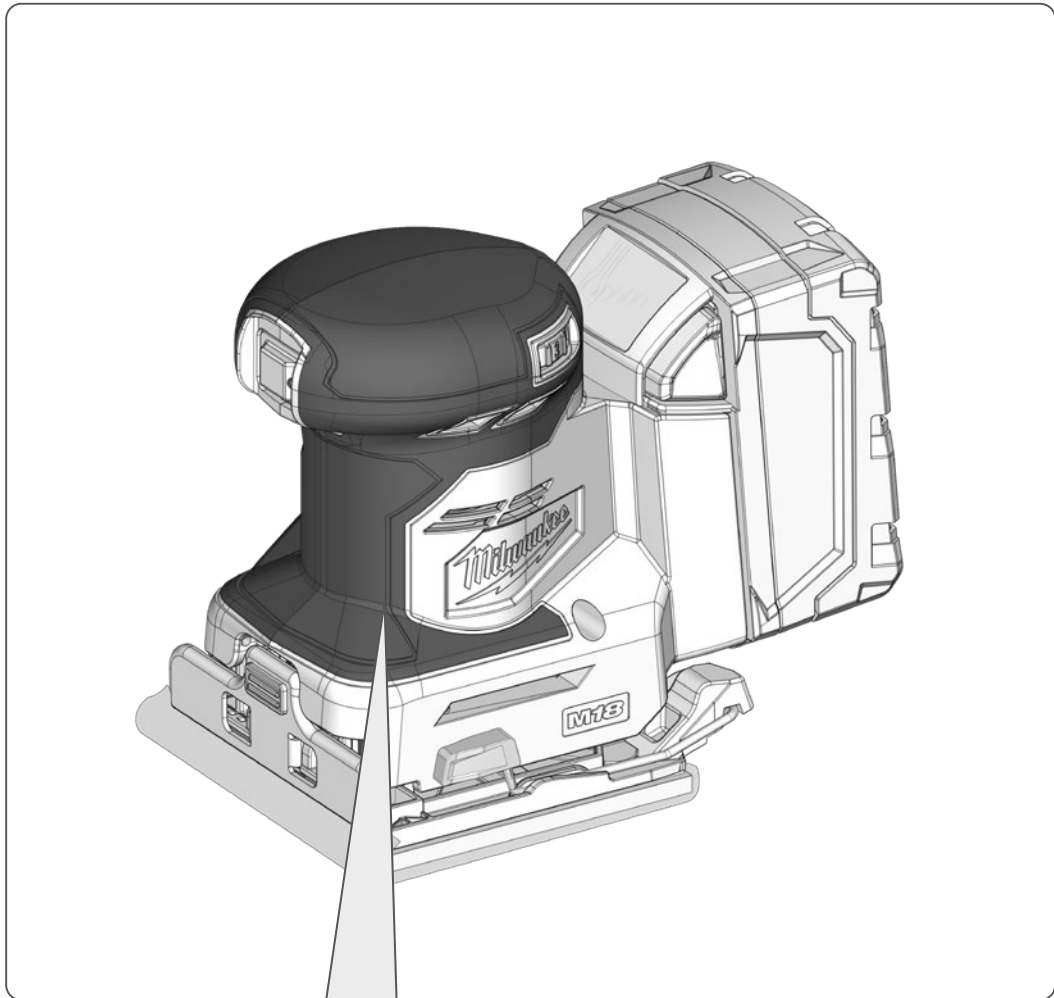
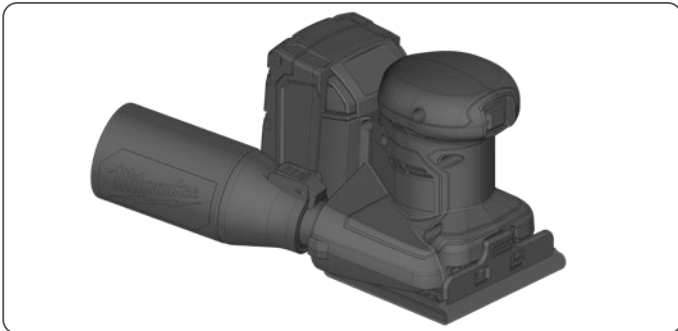
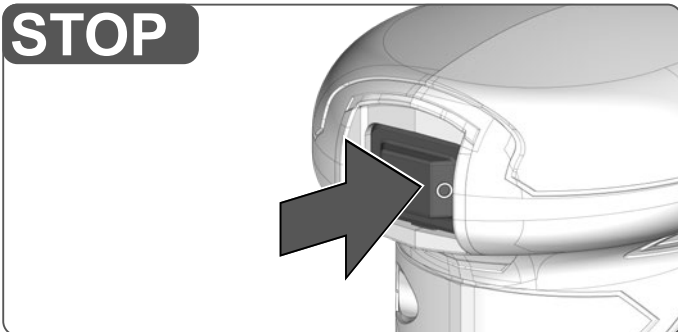




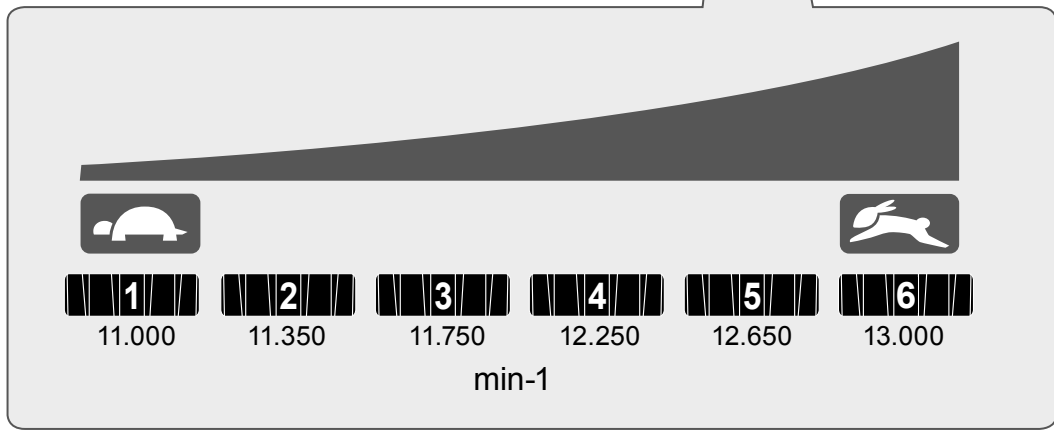
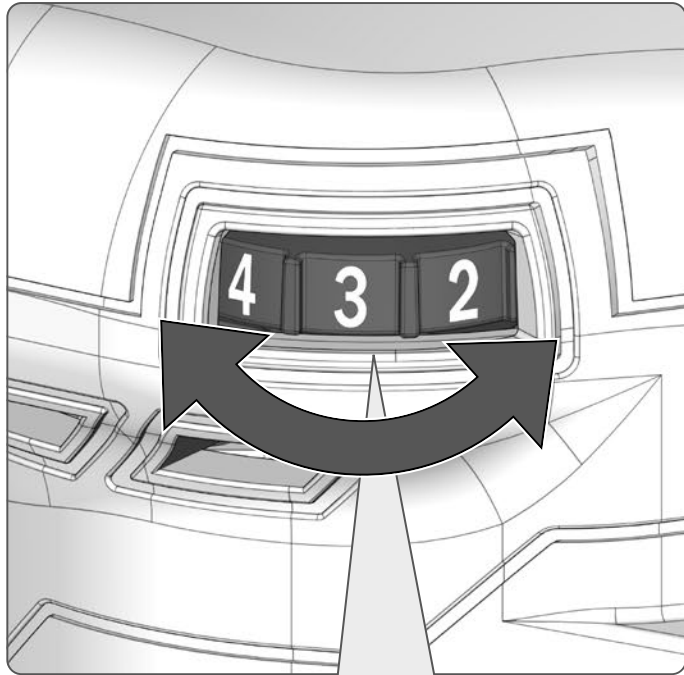
START



STOP



Insulated gripping surface



TECHNICAL DATA

	M18 BQSS
Type	Oscillating sander
Production code	4914 11 01 XXXXXX MJJJJ
Battery voltage	18 V \approx
No-load speed	11.000 - 13.000 min ⁻¹
Orbital travel diameter	1,6 mm
Dimensions of grinding plate	113 x 104 mm
Weight according EPTA-Procedure 01/2014 (Li-Ion 2,0 Ah ... 12,0 Ah)	1,66 ... 2,72 kg
Recommended Ambient Operating Temperature	-18 ... +50 °C
Recommended battery types	M18B...; M18HB...
Recommended charger	M12-18...; M1418C6

Noise information: Measured values determined according to EN 62841.

Typically, the A-weighted noise levels of the tool are:

Sound pressure level / Uncertainty K 78,28 dB (A) / 3 db (A)

Sound power level / Uncertainty K 89,28 dB (A) / 3 db (A)

Wear ear protectors!

Vibration information: Vibration total values (triaxial vector sum) determined according to EN 62841

Vibration emission value a_v / Uncertainty K 5,23 m/s² / 1,50 m/s²

WARNING!

The vibration and noise emission level given in this information sheet has been measured in accordance with a standardized test given in EN 62841 and may be used to compare one tool with another. It may be used for a preliminary assessment of exposure.

The declared vibration and noise emission level represents the main applications of the tool. However if the tool is used for different applications, with different accessories or poorly maintained, the vibration and noise emission may differ. This may significantly increase the exposure level over the total working period.

An estimation of the level of exposure to vibration and noise should also take into account the times when the tool is switched off or when it is running but not actually doing the job. This may significantly reduce the exposure level over the total working period.

Identify additional safety measures to protect the operator from the effects of vibration and/or noise such as: maintain the tool and the accessories, keep the hands warm, organization of work patterns.

WARNING! Read all safety warnings, instructions, illustrations and specifications provided with this power tool. Failure to follow all instructions listed below may result in electric shock, fire and/or serious injury.

Save all warnings and instructions for future reference.

SAFETY INSTRUCTIONS FOR SANDERS

Collected sanding dust from sanding surface coatings such as polyurethanes, linseed oil, etc. can self-ignite in the sander dust bag or elsewhere and cause fire. To reduce the risk of fire always empty the dust bag frequently (10-15 minutes) while sanding and never store or leave a sander without totally emptying its dust bag. Also follow the recommendations of the coatings manufacturers.

ADDITIONAL SAFETY AND WORKING INSTRUCTIONS

Never reach into the danger area of the machine when it is running.

Chips and splinters must not be removed while the machine is running.

Use protective equipment. Always wear safety glasses when working with the machine.

The dust produced when using this tool may be harmful to health. Do not inhale the dust. Use a dust absorption system and wear a suitable dust protection mask. Remove deposited dust thoroughly, e.g. with a vacuum cleaner.

Do not machine any materials that present a danger to health (e.g. asbestos).

Immediately switch off the machine in case of considerable vibrations or if other malfunctions occur. Check the machine in order to find out the cause.

The workpiece must be fixed if it is not heavy enough to be steady.

Do not let any metal parts enter the airing slots - danger of short circuit!

WARNING! To reduce the risk of fire, personal injury, and product damage due to a short circuit, never immerse your tool, battery pack or charger in fluid or allow a fluid to flow inside them. Corrosive or conductive fluids, such as seawater, certain industrial chemicals, and bleach or bleach containing products, etc., Can cause a short circuit.

Only use original Milwaukee sanding and polishing tools with selfadhesive hook&loop fastening.

Never break open battery packs and chargers and store only in dry rooms. Keep dry at all times.

Use only System M18 chargers for charging System M18 battery packs.

SPECIFIED CONDITIONS OF USE

The sander can be used for sanding wood, plastic, metal, filler and painted surfaces.

Do not use the product in any way other than those stated for intended use.

RESIDUAL RISK

Even when the product is used as prescribed, it is still impossible to completely eliminate certain residual risk factors. The following hazards may arise in use and the operator should pay special attention to avoid the following:

- Injury caused by vibration. Hold the product by designated handles and restrict working time and exposure.
- Exposure to noise can cause hearing injury. Wear ear protection and limit exposure.
- Injury due to flying debris. Wear eye protection, heavy long trousers, gloves and substantial footwear at all times.
- Inhalation of toxic dusts.

NOTES FOR LI-ION BATTERIES**Use of Li-Ion batteries**

Battery packs which have not been used for some time should be recharged before use.

Temperatures in excess of 50°C (122°F) reduce the performance of the battery pack. Avoid extended exposure to heat or sunshine (risk of overheating).

The contacts of chargers and battery packs must be kept clean.

For an optimum life-time, the battery packs have to be fully charged, after use.

To obtain the longest possible battery life remove the battery pack from the charger once it is fully charged.

For battery pack storage longer than 30 days:

Store the battery pack where the temperature is below 27°C and away from moisture

Store the battery packs in a 30% - 50% charged condition

Every six months of storage, charge the pack as normal.

Battery protection for Li-Ion batteries

In extremely high torque, binding, stalling and short circuit situations that cause high current draw, the tool will vibrate for about 5 seconds, the fuel gauge will flash, and then the tool will turn OFF.

To reset, release the trigger. Under extreme circumstances, the internal temperature of the battery pack could raise too much. If this happens, the fuel gauge will flash until the battery pack cooled down. After the lights go off, the work may continue.

Transporting Lithium Batteries

Lithium-ion batteries are subject to the Dangerous Goods Legislation requirements.

Transportation of those batteries has to be done in accordance with local, national and international provisions and regulations.

The user can transport the batteries by road without further requirements.

Commercial transport of Lithium-Ion batteries by third parties is subject to Dangerous Goods regulations. Transport preparation and transport are exclusively to be carried out by appropriately trained persons and the process has to be accompanied by corresponding experts.

When transporting batteries:

Ensure that battery contact terminals are protected and insulated to prevent short circuit.

Ensure that battery pack is secured against movement within packaging. Do not transport batteries that are cracked or leak. Check with forwarding company for further advice.

WORKING INSTRUCTIONS**General Sanding with Random Orbit Sanders**

When using random orbit sanders there are a few things to keep in mind:

- Unlike most sanders, random orbit sanders should be placed on the workpiece BEFORE the tool is started. If the sander is started before it is placed on the workpiece, the free floating pad may be spinning at a speed that can cause scratches when it is finally placed on workpiece.
- Unlike most sanders, random orbit sanders can be moved across the workpiece in any direction (in the case of wood, regardless of the direction of the grain).
- Varying pressure applied to the sander will affect its rotating speed. A light pressure is recommended for fine work, moderate pressure for rough work. Excessive pressure does not allow the pad to rotate enough.
- Keep sanding pad flat on the workpiece. Tipping the sander or using the edges of the pad may produce an uneven finish, and reduce pad life.
- Keep sander moving in broad even strokes across the workpiece. Sanding in one spot too long can cause gouging and uneven results.

• Check the workpiece frequently, random orbit sanders work more aggressively than simple orbital sanders.

1. Place sander on the workpiece and turn on the sander.
2. Keep the sanding sheet flat against the workpiece, keep the sander moving across the workpiece, and use long, sweeping strokes.
3. Begin sanding with a coarse grit sandpaper and gradually use finer and finer grits of sandpaper until the desired finish is reached. For example when using the sander on wood, begin with an 80 grit followed by a 120 grit, then a 180 grit and so on.

Removing Paint or Varnish

1. When removing several layers of paint or varnish, remove as much as possible with a paint solvent or varnish remover.
2. Scrape away the residue with a putty knife or other scraping tool and allow the surface to cool and dry before applying sander to the workpiece.
3. Select a coarse grit sandpaper sheet to help prevent the sandpaper from clogging.
4. Keep the sander moving over new areas to avoid heating and softening the old coating (paint or varnish).
5. Work in wide, overlapping strokes to produce a uniform finish.
6. As the workpiece begins to show through the old coating, switch to a medium grit sandpaper sheet to avoid scratching the surface of the workpiece. Gradually switch to a fine grit sandpaper until you achieve the desired finish.

CLEANING














The ventilation slots of the machine must be kept clear at all times.

MAINTENANCE

Use only Milwaukee accessories and Milwaukee spare parts. Should components need to be replaced which have not been described, please contact one of our Milwaukee service agents (see our list of guarantee/service addresses).

If needed, an exploded view of the tool can be ordered. Please state the Article No. as well as the machine type printed on the label and order the drawing at your local service agents or directly at: Techtronic Industries GmbH, Max-Eyth-Straße 10, 71364 Winnenden, Germany.

SYMBOLS

	Please read the instructions carefully before starting the machine.
	CAUTION! WARNING! DANGER!
	Remove the battery pack before starting any work on the appliance.
	Do not use force.
	Always wear goggles when using the machine.
	Wear a suitable dust protection mask.
	Accessory - Not included in standard equipment, available as an accessory.
	Do not dispose of waste batteries, waste electrical and electronic equipment as unsorted municipal waste. Waste batteries and waste electrical and electronic equipment must be collected separately. Waste batteries, waste accumulators and light sources have to be removed from equipment. Check with your local authority or retailer for recycling advice and collection point. According to local regulations retailers may have an obligation to take back waste batteries and Waste electrical and electronic equipment free of charge. Your contribution to re-use and recycling of waste batteries and waste electrical and electronic equipment helps to reduce the demand of raw materials. Waste batteries, in particular containing lithium and waste Electrical and electronic equipment contain valuable, recyclable materials, which can adversely impact the environment and the human health, if not disposed of in an environmentally compatible manner. Delete personal data from waste equipment, if any.
n_0	No-load speed
V	Voltage
	Direct Current
	European Conformity Mark
	British Conformity Mark
	Ukraine Conformity Mark
	EurAsian Conformity Mark

EC DECLARATION OF CONFORMITY

We declare as the manufacturer under our sole responsibility that the product described under "Technical Data" fulfills all the relevant regulations and directives listed below and that the following harmonized standards have been used.

2011/65/EU (RoHS)
2014/30/EU
2006/42/EC

EN 62841-1:2015
EN 62841-2-4:2014
EN IEC 55014-1:2021
EN IEC 55014-2:2021
EN IEC 63000:2018

Winnenden, 2022-03-04


Alexander Krug
Managing Director



Authorized to compile the technical file
Techtronic Industries GmbH
Max-Eyth-Straße 10
71364 Winnenden
Germany

GB-DECLARATION OF CONFORMITY

We declare as the manufacturer under our sole responsibility that the product described under "Technical Data" fulfills all the listed below relevant regulations and that the following designated standards have been used.

S.I. 2012/3032 (as amended)
S.I. 2016/1091 (as amended)
S.I. 2008/1597 (as amended)

BS EN 62841-1:2015
BS EN 62841-2-4:2014
BS EN IEC 55014-1:2021
BS EN IEC 55014-2:2021
BS EN IEC 63000:2018

Winnenden, 2022-03-04


Alexander Krug
Managing Director

Techtronic Industries GmbH
Max-Eyth-Straße 10
71364 Winnenden
Germany

Authorized to compile the technical file:
Techtronic Industries (UK) Ltd
Parkway
Marlow, SL7 1YL
UK

Copyright 2022
Techtronic Industries GmbH
Max-Eyth-Straße 10
71364 Winnenden
Germany
+49 (0) 7195-12-0
www.milwaukeeetool.eu

Techtronic Industries (UK) Ltd
Parkway
Marlow, SL7 1YL
UK

(03.22)

4100 4251 18