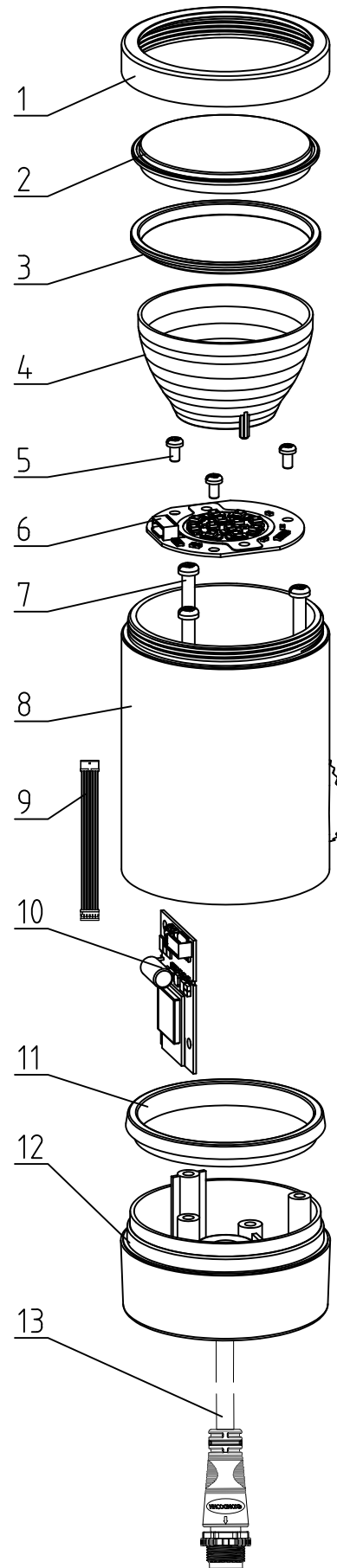


PHILIPS
hue



#	COMPONENT	QTY
1	COVER	1
2	DIFFUSER	1
3	FRONT GASKET	1
4	REFLECTOR	1
5	SCREW	3
6	LIGHT SOURCE - LED MODULE	1
7	SCREW	3
8	BODY	1
9	FLAT CABLE	1
10	LIGHT SOURCE - HUE CONNECT	1
11	BACK GASKET	1
12	BACK COVER	1
13	CABLE	1

SKU	Color	Country
915006001101	BLACK	NAM
915005756501	BLACK	Aus-Nz
915005671701	BLACK	EU
915005667401	BLACK	SW
915005629701	BLACK	EU
915005629801	BLACK	EU
915005630001	BLACK	NAM
915005630101	BLACK	UK

Warnings

Always make sure the luminaire is detached from the mains socket
 Always make sure the DC cable is detached from the power supply
 Staring at the operating light source may cause eye injury

#	Disassemble/dismantle steps	Tools needed
a	REMOVE THE COVER (1), FIRST BREAK THE GLUE OF THE THREAD CONNECTION BY KNOCKING IT A FEW TIMES ON A HARD SURFACE AND THEN UNSCREW WITH BIG TORQUE	STRAP WRENCH OR CHAIN WRENCH
b	REMOVE DIFFUSER (2) FRONT GASKET (3) AND THE REFLECTOR (4)	-
c	UNSCREWING THE SCREWS (5)	CROSS HEAD SCREW DRIVER
d	REMOVE FLAT CABLE (9) FROM LIGHT SOURCE - LED MODULE (6)	-
e	REMOVE BODY (8) BY UNSCREWING THE SCREWS (7)	CROSS HEAD SCREW DRIVER
f	REMOVE THE WIRE OF THE CABLE (13) FROM LIGHT SOURCE - HUE CONNECT (10)	FLATHEAD SCREWDRIIVER OR WAGO TOOL #2065
g	REMOVE LIGHT SOURCE - HUE CONNECT (10)	-

STATUS	DESCRIPTION	DESIGN ID			
2021-04-12	Lily Hue base unit NAM spike LED black 3x8W	Lily Hue base unit ANZ spike LED Black 1x8W			
	Lily Hue base unit spike Black 1x8W	Lily Hue base unit spike Black 1x8W			
	Lily Hue base unit spike Black 3x8W	Lily Hue ext. spike Black 1x8W 24V			
	Lily Hue ext. spike LED Black 1x8W 24V	Lily Hue base unit spike Black 3x8W			
NAME	WH	LOCAL PART ID	SH. 1	SH.	A3-P
CHECKED	DATE			CONFIDENTIAL, PROPERTY OF: © 2020 Signify Holding	