

PHILIPS

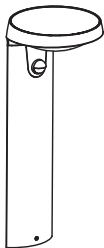
9290032604

9290032606

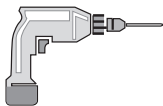


User manual
Benutzerhandbuch
Notice d'emploi
Manual de usuario
Manual do usuário
Manuale d'uso
Gebruiksaanwijzing

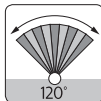
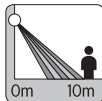
Incl.

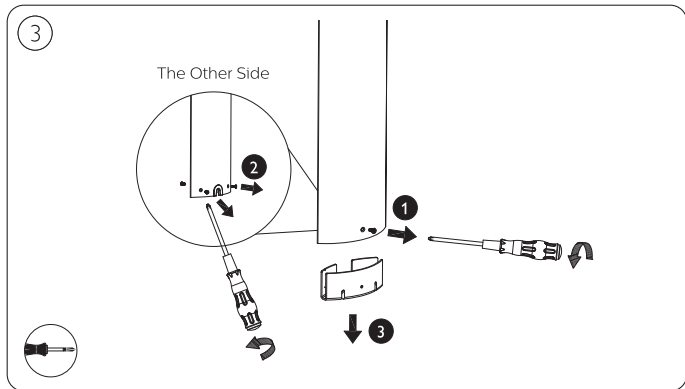
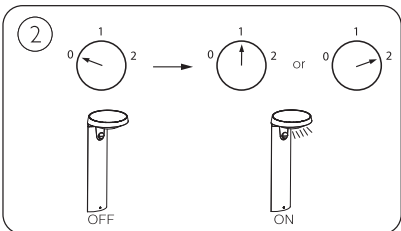
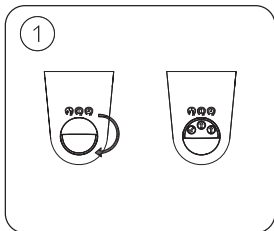


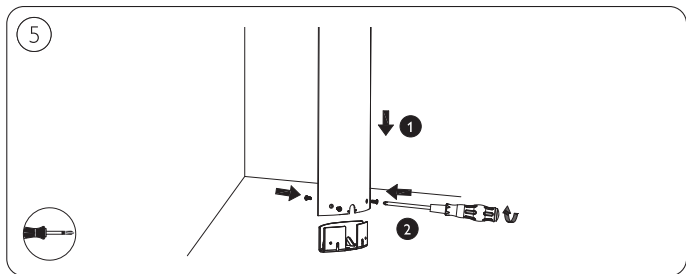
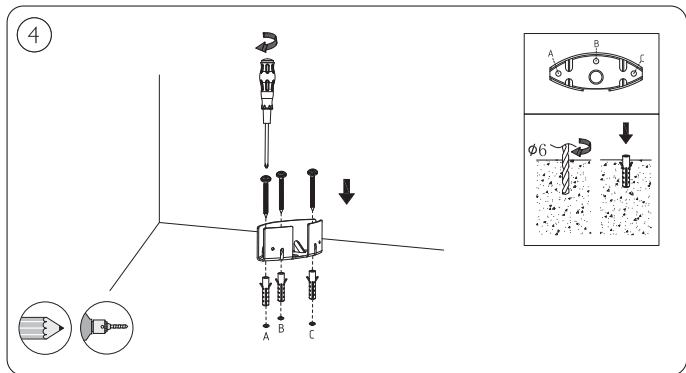
Excl.

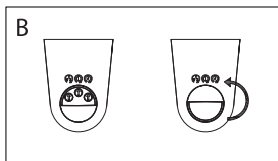
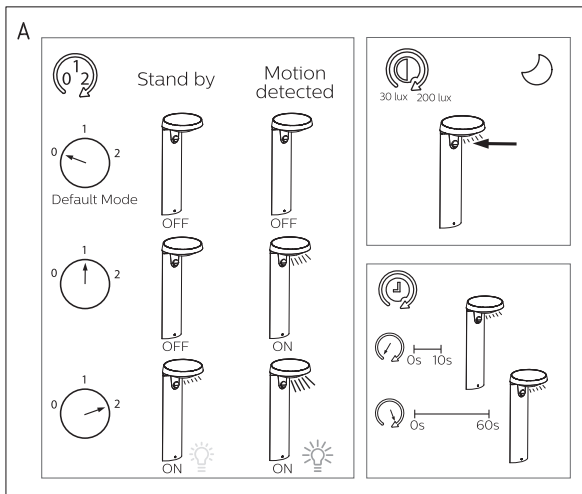


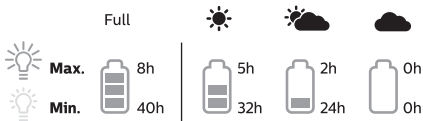
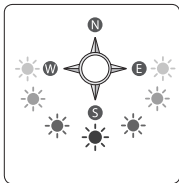
IP44





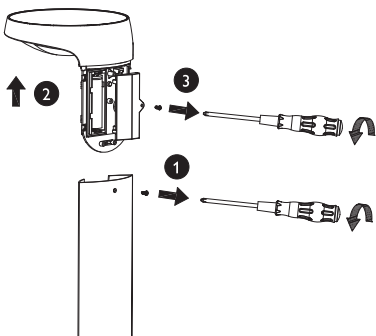




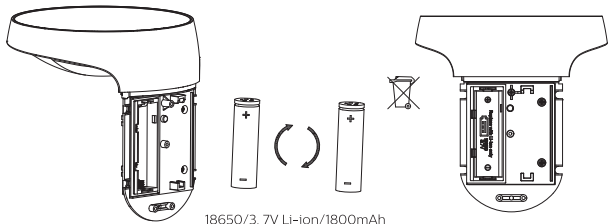


Replace Battery

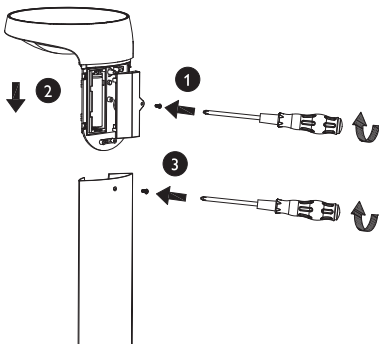
1



2



3





Signify Commercial UK Limited
Unit 3, Guildford Business Park,
Guildford, Surrey, GU2 8XG, UK

Signify
I.B.R.S. / C.C.R.I. Numéro 10461
5600 VB Eindhoven, the Netherlands
☎00800-74454775

Philips and the Philips Shield Emblem
are registered trademarks of Koninklijke
Philips N.V. and are used under license.

www.philips.com/lighting

© 2022 Signify Holding
The Signify logo, which consists of the word "signify" in a lowercase, sans-serif font, with a stylized "S" symbol to its left.

3241 659 63213