

PHILIPS

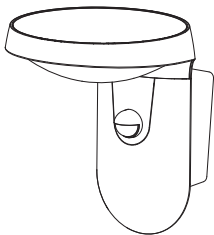
9290032603

9290032605

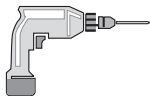


User manual
Benutzerhandbuch
Notice d'emploi
Manual de usuario
Manual do usuário
Manuale d'uso
Gebruiksaanwijzing

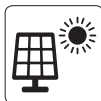
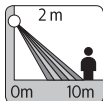
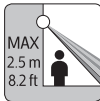
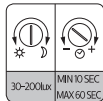
Incl.

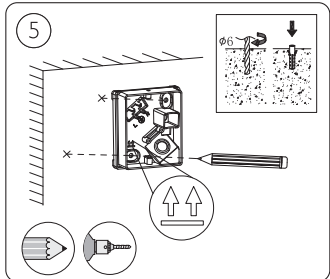
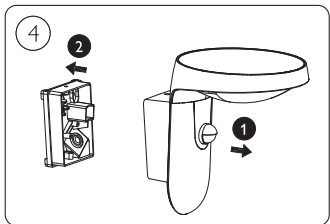
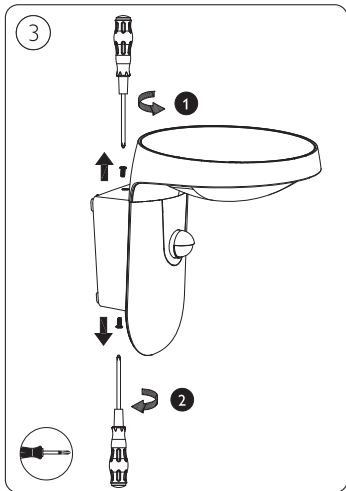
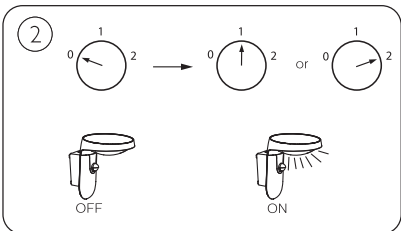
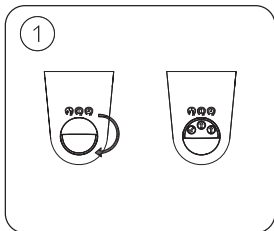


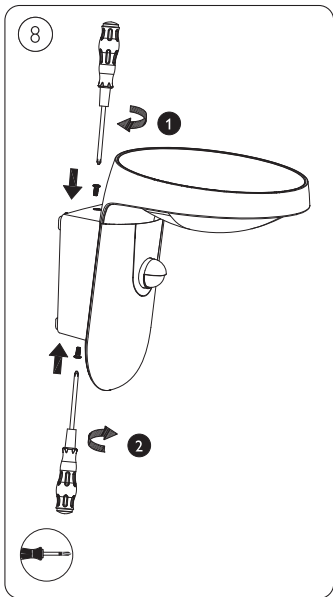
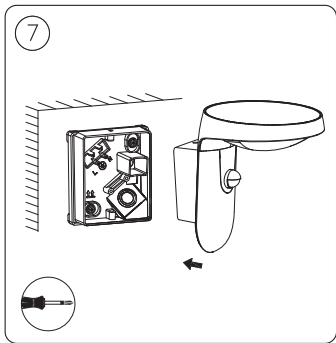
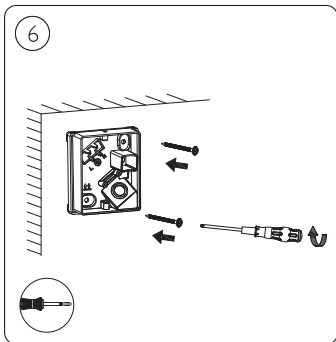
Excl.



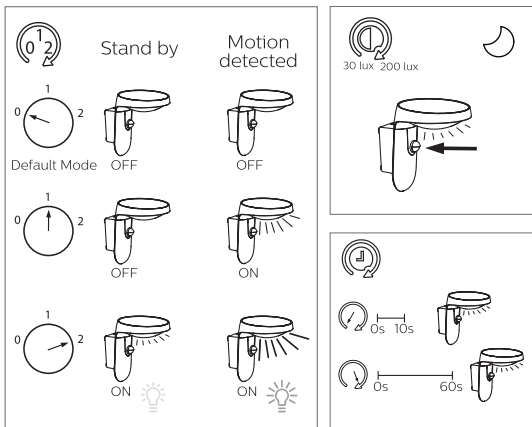
IP44



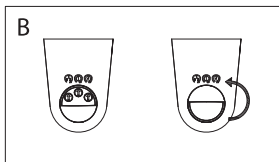


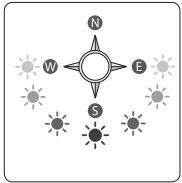


A



B





Max.
Min.



8h
40h



5h
32h



2h
24h

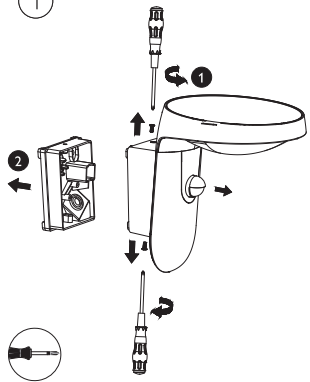


0h
0h

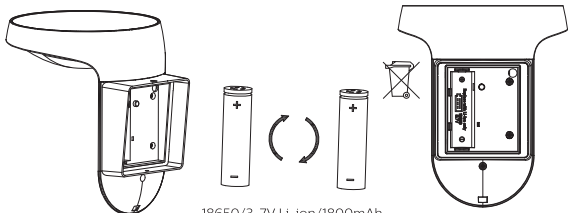


Replace Battery

1

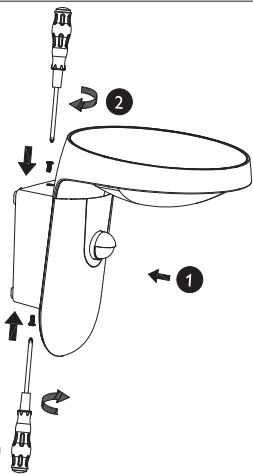


2



18650/3.7V Li-ion/1800mAh

3





Signify Commercial UK Limited
Unit 3, Guildford Business Park,
Guildford, Surrey, GU2 8XG, UK

Signify
I.B.R.S. / C.C.R.I. Numéro 10461
5600 VB Eindhoven, the Netherlands
☎00800-74454775

Philips and the Philips Shield Emblem
are registered trademarks of Koninklijke
Philips N.V. and are used under license.

www.philips.com/lighting

© 2022 Signify Holding
The Signify logo, which consists of the word "signify" in a lowercase, sans-serif font, with a stylized "S" symbol to its left.

3241 659 63202