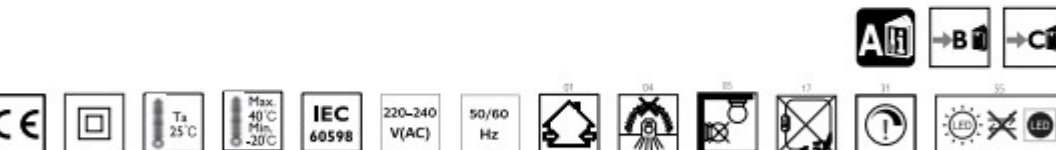
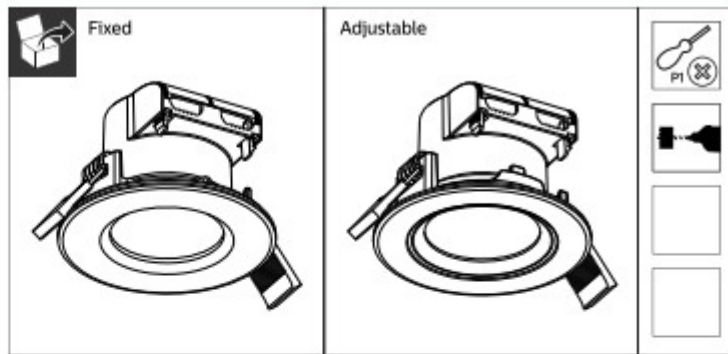


PHILIPS

SL261 LED Recessed Spot

Mounting Instructions

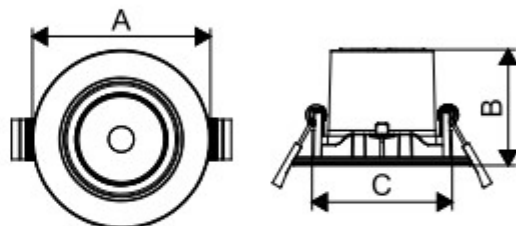


Model Name	Product Description	Power (W)	CRI (Ra)	Total lumen (lm)	CCT (K)	Beam Angle	EEL of light source	IP	Dimension Ax, B, C (mm)	Cut Out D (mm)	Lock
290023738	SPARKLE SL261 RD 070 5W 27K W HV L	5W	80	350lm	2700K	36	F	20	ø85*55*67	ø70-72	0.118
290023739	SPARKLE SL261 RD 070 5W 27K N HV L							20			0.118
290023740	DIVE SL261 RD 070 5W 27K W HV IP65L							20 Front 65			0.114
290023741	DIVE SL261 RD 070 5W 27K N HV IP65L							20 Front 65			0.114
290025271	DIVE SL261 RD 070 5W 27K C HV IP65L	5.5W	80	350lm	2700K	36	F	20	ø85*55*67	ø70-72	0.114
290023742	SPARKLE SL261 RD 070 5.5W 27K W HV R							20			0.118
290023743	SPARKLE SL261 RD 070 5.5W 27K N HV R							20			0.118
290023744	DIVE SL261 RD 070 5.5W 27K W HV IP65R							20 Front 65			0.114
290023745	DIVE SL261 RD 070 5.5W 27K N HV IP65R	20 Front 65	0.114								
290025272	DIVE SL261 RD 070 5.5W 27K C HV IP65R	20 Front 65	0.114								
290026803	DIVE SL261 RD 070 5.5W 27K BL IP65R	20 Front 65	0.114								

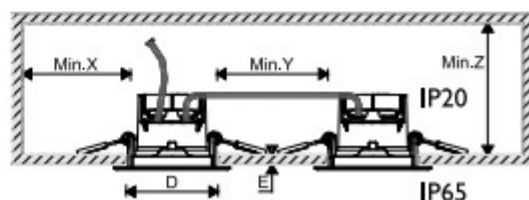
Dimensions

Unit:mm

Product	A	B	C
SL261	ø85	55	67



Product	D(mm)	E(mm)	X(mm)	Y(mm)	Z(mm)
SL261	ø70-72	1-15	50	50	70



Unit:mm

Installation

