

展开尺寸: 300x120mm, 单页尺寸: 100x120mm



Utrecht
9290031875
9290031876




A

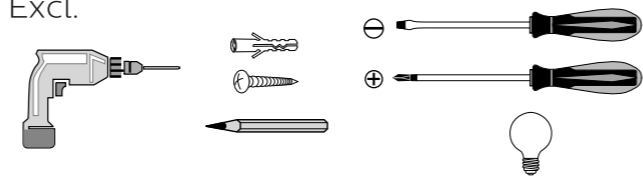
User manual
Benutzerhandbuch
Notice d'emploi
Manual de usuario
Manual do usuário
Manuale d'uso
Gebruiksaanwijzing

Incl.

A

B

Excl.

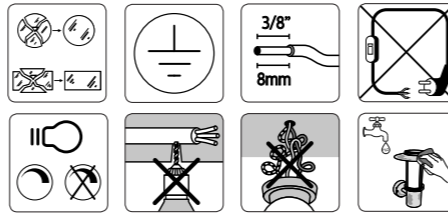


B

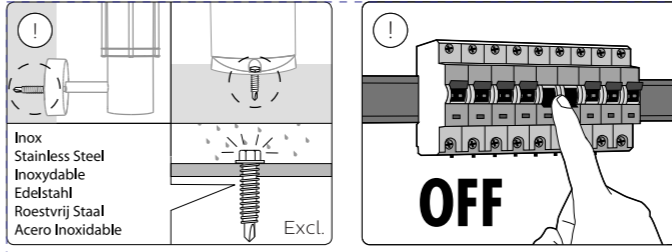
IP44

P45 E27

MAX. 20 W



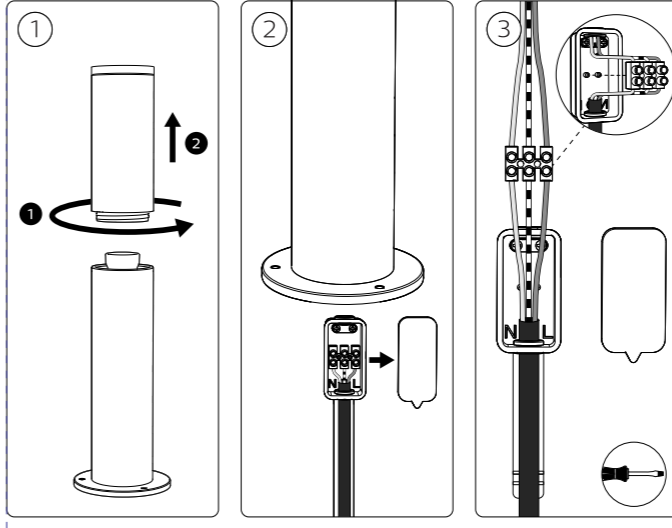
2



Inox
Stainless Steel
Inoxydable
Edelstahl
Roestvrij Staal
Acero Inoxidable


Excl.

OFF



3

展开尺寸: 300x120mm, 单页尺寸: 100x120mm



Signify Commercial UK Limited
Unit 3, Guildford Business Park,
Guildford, Surrey, GU2 8XG, UK

Signify
B.R.S. / C.C.R.I. Numéro 10461
5600 VB Eindhoven, the Netherlands
00800-74454775

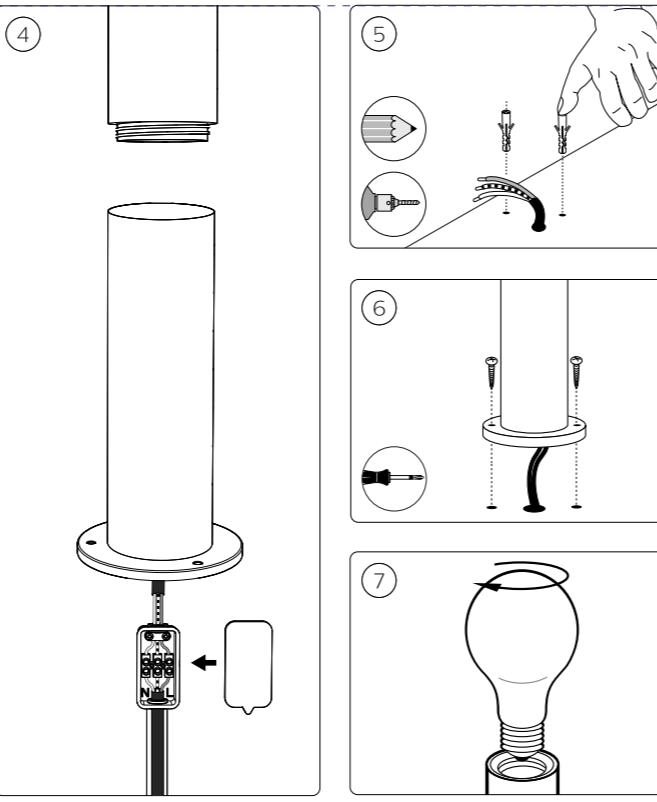
Philips and the Philips Shield Emblem
are registered trademarks of Koninklijke
Philips N.V. and are used under license.

www.philips.com/lighting

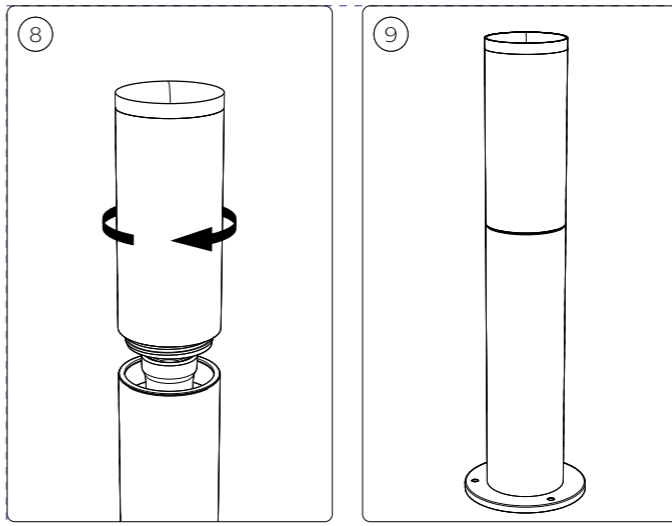
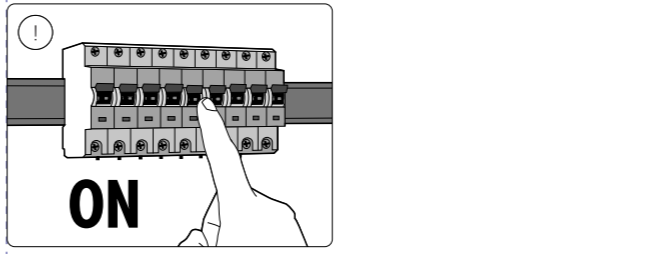
© 2021 Signify Holding
@signify

All rights reserved

3241658 90371



4

ON

5

SIGNIFY

Brand PHL

Product Family LED

Shape _____

Wattage _____

Template Ref. N/A

SGS number 6526832

12-NC.NBR 324165890371

Masterdrawing N/A

CRC Ref. _____

Barcode No. N/A

Operator(s) Jennyzhu

v3

VERSION No. _____

Date in 20171110

Date amended 20210922

Black	Diecut		

Date Check _____

Check briefing Traffic

Artwork document

<input type="checkbox"/> Legend	<input type="checkbox"/> Number of colors
<input type="checkbox"/> 12NC	<input type="checkbox"/> Trapping/Bleed
<input type="checkbox"/> Barcode	<input type="checkbox"/> Images hires
<input type="checkbox"/> Diecut	<input type="checkbox"/> Jobsizes

Approval

QC Lithographer SGS Shanghai Production

Product Manager allen.lai@signify.com

Traffic Manager Esdon Lu