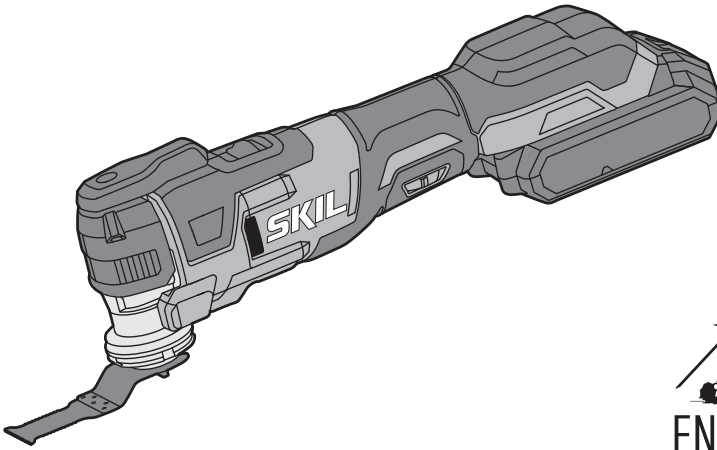


SKIL®

BRUSHLESS CORDLESS MULTI-FUNCTION TOOL 3650 (MF1*3650**)



GB	ORIGINAL INSTRUCTIONS	10	UA	ОРИГІНАЛЬНА ІНСТРУКЦІЯ З ЕКСПЛУАТАЦІЇ	73
F	NOTICE ORIGINALE	13	GR	ΠΡΟΤΟΤΥΠΟ ΟΔΗΓΙΩΝ ΧΡΗΣΗΣ	77
D	ORIGINALBETRIEBSANLEITUNG	17	RO	INSTRUCȚIUNI DE FOLOSIRE ORIGINALE	82
NL	ORIGINELE GEBRUIKSAANWIJZING	21	BG	ОРИГИНАЛНО РЪКОВОДСТВО ЗА ЕКСПЛОАТАЦИЯ	86
S	BRUKSANVISNING I ORIGINAL	25	SK	PŮVODNÝ NÁVOD NA POUŽITIE	90
DK	ORIGINAL BRUGSANVISNING	29	HR	ORIGINALNE UPUTE ZA RAD	94
N	ORIGINAL BRUKSANVISNING	33	SRB	ORIGINALNO UPUTSTVO ZA RAD	98
FIN	ALKUPERÄISET OHJEET	36	SLO	IZVIRNA NAVODILA	101
E	MANUAL ORIGINAL	40	EST	ALGUPÄRANE KASUTUSJUHEND	105
P	MANUAL ORIGINAL	44	LV	ORIĢINĀLĀ LIETOŠANAS PAMĀCĪBA	109
I	ISTRUZIONI ORIGINALI	48	LT	ORIGINALI INSTRUKCIJA	113
H	EREDETI HASZNÁLATI UTASÍTÁS	52	MK	ИЗБОРНО УПАТСТВО ЗА РАБОТА	116
CZ	PŮVODNÍM NÁVODEM K POUŽÍVÁNÍ	56	AL	UDHËZIMET ORIGINALE	121
TR	ORIJİNAL İŞLETME TALİMATI	60	AR	دليل الاستعمال	133
PL	INSTRUKCJA ORYGINALNA	63	FA	راهنمای اصلی	131
RU	ПОДЛИННИК РУКОВОДСТВА ПО ЭКСПЛУАТАЦИИ	67			



ERC



www.skil.com



GB	EU Declaration of conformity		We declare under our sole responsibility that the stated products comply with all applicable provisions of the directives and regulations listed below and are in conformity with the following standards. Technical file at:*
	Cordless multi-function tool	Article number	
F	Déclaration de conformité UE		Nous déclarons sous notre propre responsabilité que les produits décrits sont en conformité avec les directives, règlements normatifs et normes énumérés ci-dessous. Dossier technique auprès de:*
	Outil multifonctions sans fil	Número d'article	
D	EU-Konformitätserklärung		Wir erklären in alleiniger Verantwortung, dass die genannten Produkte allen einschlägigen Bestimmungen der nachfolgend aufgeführten Richtlinien und Verordnungen entsprechen und mit folgenden Normen übereinstimmen. Technische Unterlagen bei:*
	Akku-Multifunktionswerkzeug	Sachnummer	
NL	EU-conformiteitsverklaring		Wij verklaren op eigen verantwoordelijkheid dat de genoemde producten voldoen aan alle desbetreffende bepalingen van de hierna genoemde richtlijnen en verordeningen en overeenstemmen met de volgende normen. Technisch dossier bij:*
	Oplaadbare multifunctionele machine	Productnummer	
S	EU-konformitetsförklaring		Vi förklarar under eget ansvar att de nämnda produkterna uppfyller kraven i alla gällande bestämmelser i de nedan angivna direktiven och förordningarna och att de stämmer överens med följande normer. Teknisk dokumentation:*
	Sladdlöst multifunktionsverktyg	Produktnummer	
DK	EU-overensstemmelseserklæring		Vi erklærer som eneansvarlige, at det beskrevne produkt er i overensstemmelse med alle gældende bestemmelser i følgende direktiver og forordninger og opfylder følgende standarder. Tekniske bilag ved:*
	Batteridrevet multifunktionsværktøj	Typenummer	
N	EU-samsvarserklæring		Vi erklærer under eneansvar at de nevnte produktene er i overensstemmelse med alle relevante bestemmelser i direktivene og forordningene nedenfor og med følgende standarder. Teknisk dokumentasjon hos:*
	Batteridrevet multiverktøy	Produktnummer	
FIN	EU-vaatimustenmukaisuusvakuutus		Vakuutamme täten, että mainitut tuotteet vastaavat kaikkia seuraavien direktiivien ja asetusten asiaankuuluvia vaatimuksia ja ovat seuraavien standardien vaatimusten mukaisia. Tekniset asiakirjat saatavana:*
	Akkukäyttöinen monitoimityökalu	Tuotenumero	
E	Declaración de conformidad UE		Declaramos bajo nuestra exclusiva responsabilidad, que los productos nombrados cumplen con todas las disposiciones correspondientes de las directivas y los reglamentos mencionados a continuación y están en conformidad con las siguientes normas. Documentos técnicos de:*
	Herramienta multiuso sin cable	Número de artículo	
P	Declaração de conformidade CE		Declaramos sob nossa exclusiva responsabilidade que os produtos mencionados cumprem todas as disposições e os regulamentos indicados e estão em conformidade com as seguintes normas. Documentação técnica pertencente à:*
	Ferramenta multifunções sem fios	Número do produto	
I	Dichiarazione di conformità UE		Dichiariamo sotto la nostra piena responsabilità che i prodotti indicati sono conformi a tutte le disposizioni pertinenti delle direttive e dei regolamenti elencati di seguito, nonché alle seguenti normative. Documentazione tecnica presso:*
	Utensile multifunzione senza filo	Codice prodotto	
H	EU konformitási nyilatkozat		Egyedüli felelősséggel kijelentjük, hogy a megnevezett termékek megfelelnek az alábbiakban felsorolásra kerülő irányelvek és rendeletek valamennyi idevágó előírásainak és megfelelnek a következő szabványoknak. Műszaki dokumentumok megőrzési pontja:*
	Akkumulátoros, többfunkciós szerszám	Cikkszám	
CZ	EU prohlášení o shodě		Prohlašujeme na výhradní zodpovědnost, že uvedený výrobek splňuje všechna příslušná ustanovení níže uvedených směrnic a nařízení a je v souladu s následujícími normami. Technické podklady u:*
	Bezdrátové multifunkční nářadí	Objednací číslo	
TR	AB Uygunluk beyanı		Tek sorumlu olarak, tanımlanan ürünün aşağıdaki yönetmelik ve direktiflerin geçerli bütün hükümlerine ve aşağıdaki standartlara uygun olduğunu beyan ederiz. Teknik belgelerin bulunduğu yer:*
	Kablosuz çok amaçlı alet	Ürün kodu	
PL	Deklaracja zgodności UE		Oświadczamy z pełną odpowiedzialnością, że niniejsze produkty odpowiadają wszystkim wymaganiom poniżej wyszczególnionych dyrektyw i rozporządzeń, oraz że są zgodne z następującymi normami. Dokumentacja techniczna:*
	Akumulatorowe narzędzie wielofunkcyjne	Numer katalogowy	
RU	Заявление о соответствии ЕС		Мы заявляем под нашу единоличную ответственность, что названные продукты соответствуют всем действующим предписаниям нижеуказанных директив и распоряжений, а также нижеуказанных норм. Техническая документация хранится у:*
	Многофункциональный аккумуляторный инструмент	Товарный номер	
UA	Заява про відповідність ЄС		Мизявляємо під нашу одноособову відповідальність, що названі вироби відповідають усім чинним положенням нищезначених директив і розпоряджень, а також нижчеозначеним нормам. Технічна документація зберігається у:*
	Бездротовий багатофункціональний інструмент	Товарний номер	

1 **3650**


20V Max
18
Volt


2,0 Ah
2,5 Ah

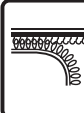
1,5 kg

4,0 Ah
5,0 Ah

1,8 kg

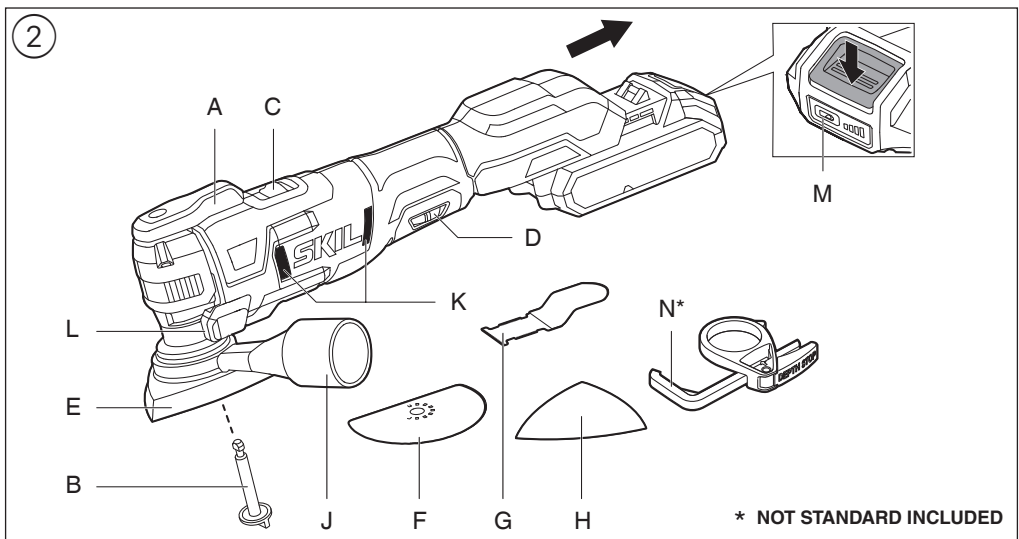

n₀
11000-17000
/min


1,8° ← → 1,8°





OIS



82 mm



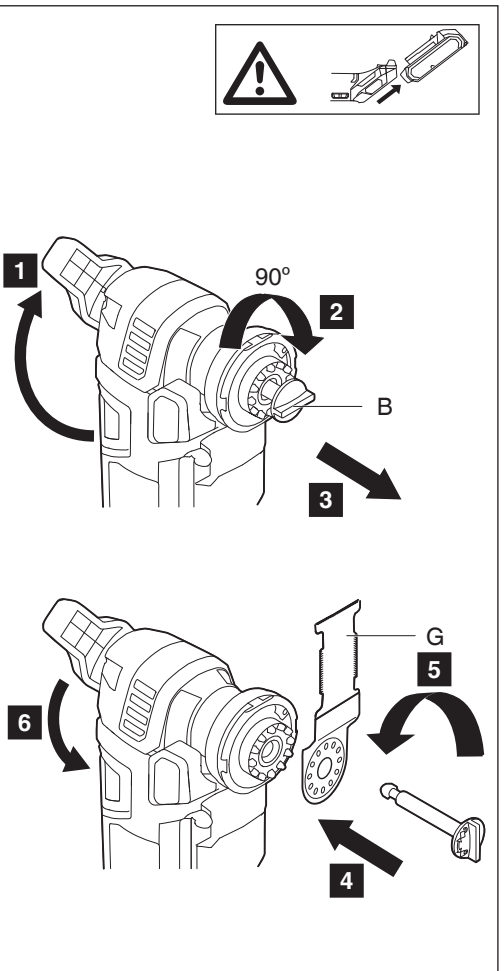
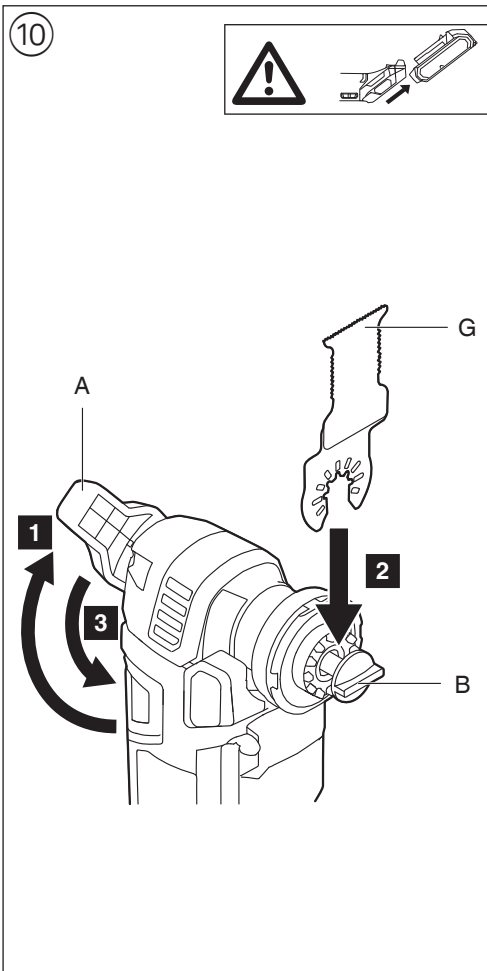
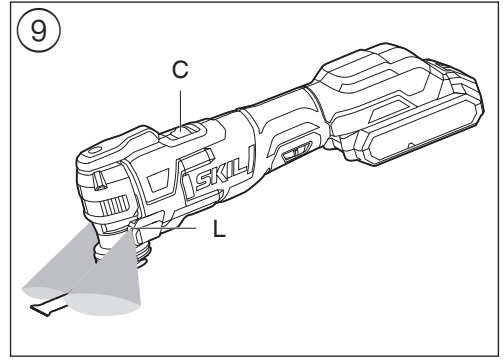
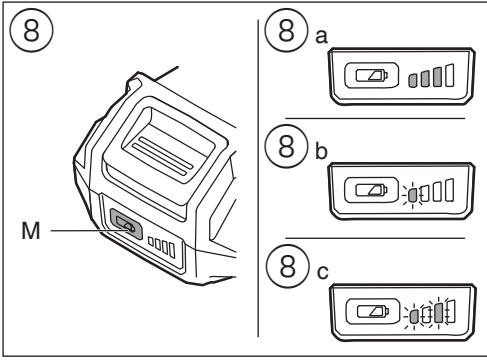
3 
OIS
Oscillating
Interface
System

4 

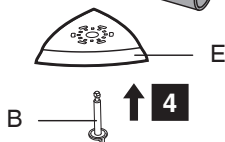
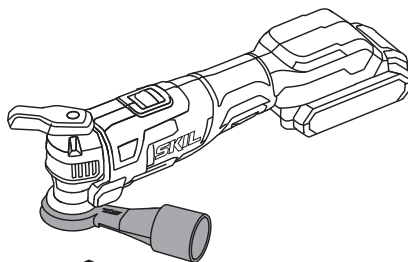
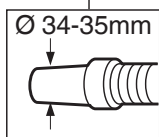
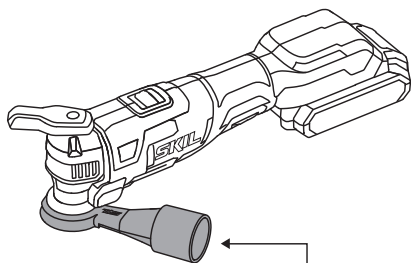
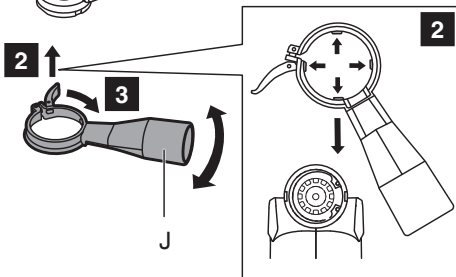
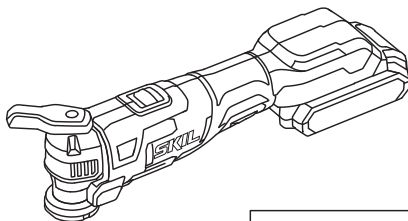
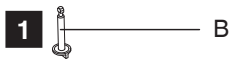
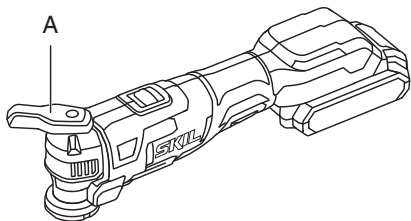
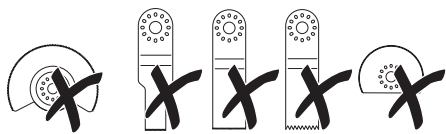
5 

6 
max.50 °C

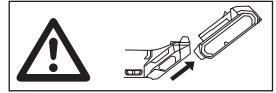
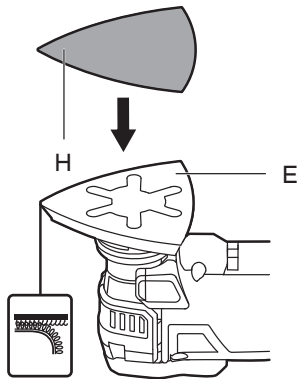
7 



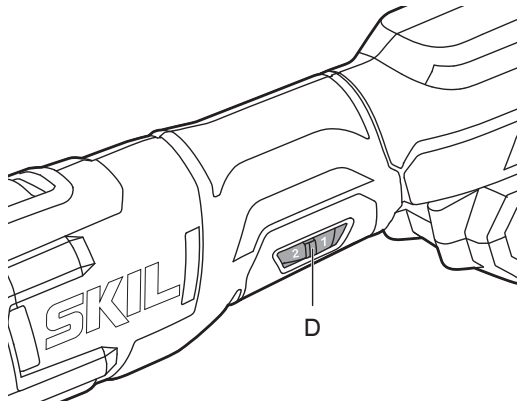
11



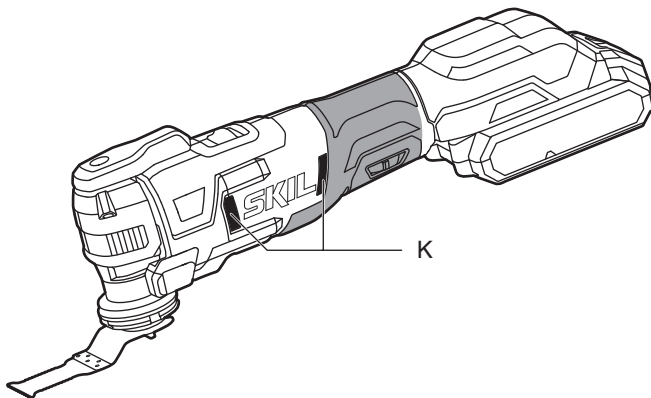
12



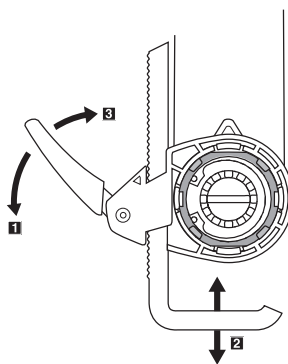
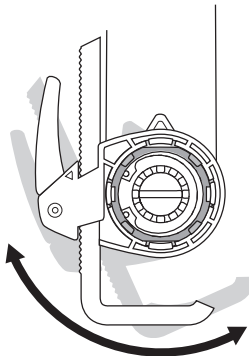
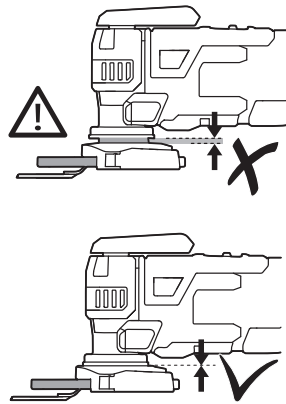
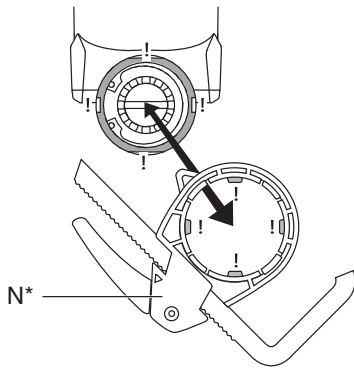
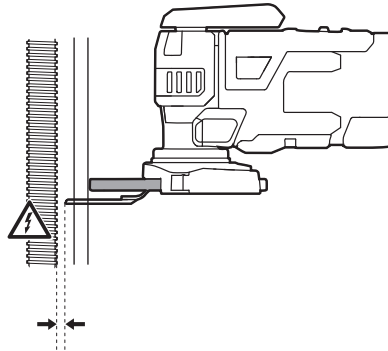
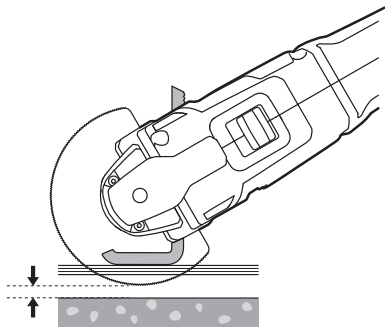
13

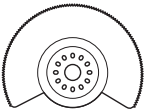
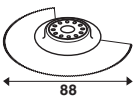

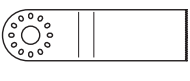
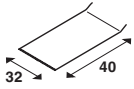

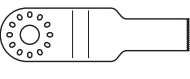
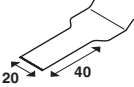

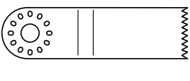
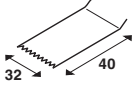

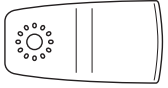
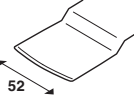

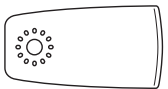
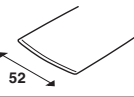

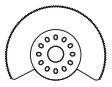
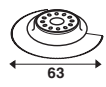

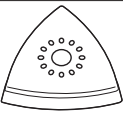

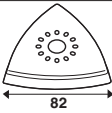







14



15



<p>16</p> 	 <p>88</p>	
	 <p>32 40</p>	
<p>*</p> 	 <p>20 40</p>	
<p>*</p> 	 <p>32 40</p>	
<p>*</p> 	 <p>52</p>	
<p>*</p> 	 <p>52</p>	
<p>*</p> 	 <p>63</p>	
 	 <p>82</p> <div style="display: flex; flex-direction: column; align-items: center;"> <div style="border: 1px solid black; padding: 5px; margin-bottom: 5px;"> <p>60</p>  </div> <div style="border: 1px solid black; padding: 5px; margin-bottom: 5px;"> <p>80</p>  </div> <div style="border: 1px solid black; padding: 5px; margin-bottom: 5px;"> <p>120</p>  </div> <div style="border: 1px solid black; padding: 5px;"> <p>180</p>  </div> </div> <p>*</p>	

* NOT STANDARD INCLUDED

ACCESSORIES



WWW.SKIL.COM

Brushless cordless multi-function tool 3650

INTRODUCTION

- This tool is intended for sawing and cutting in wood, plastic, plaster, metals and soft wall tiles as well as for dry sanding and scraping of small surfaces
- It is especially suitable for working close to edges, for plunge cutting and for flush cutting
- This tool is not intended for professional use
- This tool accepts most commonly available multi-tool accessories, including existing OIS and Starlock accessories ③
- Read and save this instruction manual ④

TECHNICAL DATA ①

TOOL ELEMENTS ②

- A Clamping lever
- B Clamping screw with washer
- C On/off switch
- D Speed selection wheel
- E Sanding pad
- F Segment saw blade
- G Plunge-cut saw blade
- H Sanding sheet
- J Vacuum cleaner adapter
- K Ventilation slots
- L LED-light
- M Battery level indicator
- N Depth adjustment accessory *

* NOT STANDARD INCLUDED

SAFETY

GENERAL POWER TOOL SAFETY WARNINGS

⚠ WARNING Read all safety warnings, instructions, illustrations and specifications provided with this power tool. Failure to follow all instructions listed below may result in electric shock, fire and/or serious injury.

Save all warnings and instructions for future reference.

The term "power tool" in the warnings refers to your mains-operated (corded) power tool or battery-operated (cordless) power tool.

1) WORK AREA SAFETY

- a) **Keep work area clean and well lit.** Cluttered or dark areas invite accidents.
- b) **Do not operate power tools in explosive atmospheres, such as in the presence of flammable liquids, gases or dust.** Power tools create sparks which may ignite the dust or fumes.
- c) **Keep children and bystanders away while operating a power tool.** Distractions can cause you to lose control.

2) ELECTRICAL SAFETY

- a) **Power tool plugs must match the outlet. Never**

modify the plug in any way. Do not use any adapter plugs with earthed (grounded) power tools.

Unmodified plugs and matching outlets will reduce risk of electric shock.

- b) **Avoid body contact with earthed or grounded surfaces such as pipes, radiators, ranges and refrigerators.** There is an increased risk of electric shock if your body is earthed or grounded.
- c) **Do not expose power tools to rain or wet conditions.** Water entering a power tool will increase the risk of electric shock.
- d) **Do not abuse the cord. Never use the cord for carrying, pulling or unplugging the power tool. Keep cord away from heat, oil, sharp edges or moving parts.** Damaged or entangled cords increase the risk of electric shock.
- e) **When operating a power tool outdoors, use an extension cord suitable for outdoor use.** Use of a cord suitable for outdoor use reduces the risk of electric shock.
- f) **If operating a power tool in a damp location is unavoidable, use a residual current device (RCD) protected supply.** Use of an RCD reduces the risk of electric shock.

3) PERSONAL SAFETY

- a) **Stay alert, watch what you are doing and use common sense when operating a power tool. Do not use a power tool while you are tired or under the influence of drugs, alcohol or medication.** A moment of inattention while operating power tools may result in serious personal injury.
- b) **Use personal protective equipment. Always wear eye protection.** Protective equipment such as a dust mask, non-skid safety shoes, hard hat, or hearing protection used for appropriate conditions will reduce personal injuries.
- c) **Prevent unintentional starting. Ensure the switch is in the off-position before connecting to power source and/or battery pack, picking up or carrying the tool.** Carrying power tools with your finger on the switch or energising power tools that have the switch on invites accidents.
- d) **Remove any adjusting key or wrench before turning the power tool on.** A wrench or a key left attached to a rotating part of the power tool may result in personal injury.
- e) **Do not overreach. Keep proper footing and balance at all times.** This enables better control of the power tool in unexpected situations.
- f) **Dress properly. Do not wear loose clothing or jewellery. Keep your hair and clothing away from moving parts.** Loose clothes, jewellery or long hair can be caught in moving parts.
- g) **If devices are provided for the connection of dust extraction and collection facilities, ensure these are connected and properly used.** Use of dust collection can reduce dust-related hazards.
- h) **Do not let familiarity gained from frequent use of tools allow you to become complacent and ignore tool safety principles.** A careless action can cause severe injury within a fraction of a second.

4) POWER TOOL USE AND CARE

- a) **Do not force the power tool. Use the correct power tool for your application.** The correct power tool will do the job better and safer at the rate for which it was designed.
- b) **Do not use the power tool if the switch does not turn it on and off.** Any power tool that cannot be controlled with the switch is dangerous and must be repaired.
- c) **Disconnect the plug from the power source and/ or remove the battery pack, if detachable, from the power tool before making any adjustments, changing accessories, or storing power tools.** Such preventive safety measures reduce the risk of starting the power tool accidentally.
- d) **Store idle power tools out of the reach of children and do not allow persons unfamiliar with the power tool or these instructions to operate the power tool.** Power tools are dangerous in the hands of untrained users.
- e) **Maintain power tools and accessories. Check for misalignment or binding of moving parts, breakage of parts and any other condition that may affect the power tool's operation. If damaged, have the power tool repaired before use.** Many accidents are caused by poorly maintained power tools.
- f) **Keep cutting tools sharp and clean.** Properly maintained cutting tools with sharp cutting edges are less likely to bind and are easier to control.
- g) **Use the power tool, accessories and tool bits etc., in accordance with these instructions, taking into account the working conditions and the work to be performed.** Use of the power tool for operations different from those intended could result in a hazardous situation.

- h) **Keep handles and grasping surfaces dry, clean and free from oil and grease.** Slippery handles and grasping surfaces do not allow for safe handling and control of the tool in unexpected situations.

5) BATTERY TOOL USE AND CARE

- a) **Recharge only with the charger specified by the manufacturer.** A charger that is suitable for one type of battery pack may create a risk of fire when used with another battery pack.
- b) **Use power tools only with specifically designated battery packs.** Use of any other battery packs may create a risk of injury and fire.
- c) **When battery pack is not in use, keep it away from other metal objects like paper clips, coins, keys, nails, screws, or other small metal objects that can make a connection from one terminal to another.** Shorting the battery terminals together may cause burns or a fire.
- d) **Under abusive conditions, liquid may be ejected from the battery; avoid contact. If contact accidentally occurs, flush with water. If liquid contacts eyes, additionally seek medical help.** Liquid ejected from the battery may cause irritation or burns.
- e) **Do not use a battery pack or tool that is damaged or modified.** Damaged or modified batteries may exhibit unpredictable behaviour resulting in fire, explosion or risk of injury.
- f) **Do not expose a battery pack or tool to fire or excessive temperature.** Exposure to fire or temperature above 130°C may cause explosion.

- g) **Follow all charging instructions and do not charge the battery pack or tool outside the temperature range specified in the instructions.** Charging improperly or at temperatures outside the specified range may damage the battery and increase the risk of fire.

6) SERVICE

- a) **Have your power tool serviced by a qualified repair person using only identical replacement parts.** This will ensure that the safety of the power tool is maintained.
- b) **Never service damaged battery packs.** Service of battery packs should only be performed by the manufacturer or authorized service providers.

SAFETY INSTRUCTIONS FOR CORDLESS MULTI-FUNCTION TOOLS

- **Hold the power tool by insulated gripping surfaces, when performing an operation where the cutting accessory may contact hidden wiring** (cutting accessory contacting a "live" wire may make exposed metal parts of the power tool "live" and could give the operator an electric shock)
- **Use clamps or another practical way to secure and support the workpiece to a stable platform** (holding the workpiece by hand or against your body leaves it unstable and may lead to loss of control)

GENERAL

- This tool should not be used by people under the age of 16 years
- Avoid damage that can be caused by screws, nails and other elements in your workpiece; remove them before you start working
- **Do not work materials containing asbestos** (asbestos is considered carcinogenic)
- Remove battery from tool before making any adjustments or changing accessories
- When working, always hold the tool firmly with both hands and take a secure stance
- Dust from material such as paint containing lead, some wood species, minerals and metal may be harmful (contact with or inhalation of the dust may cause allergic reactions and/or respiratory diseases to the operator or bystanders); **wear a dust mask and work with a dust extraction device when connectable**
- Certain kinds of dust are classified as carcinogenic (such as oak and beech dust) especially in conjunction with additives for wood conditioning; **wear a dust mask and work with a dust extraction device when connectable**
- Follow the dust-related national requirements for the materials you want to work with
- **Use protective gloves when changing accessories** (contact with the accessory can lead to injuries)
- When you put away the tool, switch off the motor and ensure that all moving parts have come to a complete standstill

WHEN SAWING/CUTTING

- **Keep hands away from cutting area;** never reach underneath the material for any reason while cutting
- **Use suitable detectors to find hidden utility lines or call the local utility company for assistance** (contact with electric lines can lead to fire or electrical shock; damaging a gas line can result in an explosion; penetrating a water pipe will cause property damage or an electrical shock)

- Do not use a saw blade which is cracked, deformed or dull

WHEN SANDING

- **Use the tool only for dry sanding** (penetration of water into the tool increases the risk of an electric shock)
- Do not touch the moving sanding sheet
- Do not continue to use worn, torn or heavily clogged sanding sheets
- When sanding metal, sparks are generated; do not use vacuum cleaner and keep other persons and combustible material from work area

BATTERIES

- **The battery supplied is partially charged** (to ensure full capacity of the battery, completely charge the battery in the battery charger before using your power tool for the first time)
- **Only use the following batteries and chargers with this tool**
 - SKIL battery: BR1*31****
 - SKIL charger: CR1*31****
- Do not use the battery when damaged; it should be replaced
- Do not disassemble the battery
- Do not expose tool/battery to rain
- Permitted ambient temperature (tool/charger/battery):
 - when charging 4...40°C
 - during operation -20...+50°C
 - during storage -20...+50°C

EXPLANATION OF SYMBOLS ON TOOL/BATTERY

- This tool accepts most commonly available multi-tool accessories, including existing OIS and Starlock basic accessories
- Read the instruction manual before use
- Batteries may explode when disposed of in fire, so do not burn battery for any reason
- Store tool/charger/battery in locations where temperature will not exceed 50°C
- Do not dispose of electric tools and batteries together with household waste material

USE

- Charging battery
 - ! **read the safety warnings and instructions provided with the charger**
- Removing/installing the battery ②
- Battery level indicator ⑧
 - press the battery level indicator button M to show the current battery level ⑧a
 - ! **when the lowest level of the battery indicator starts flashing after pressing button M ⑧b, the battery is empty**
 - ! **when 2 levels of the battery indicator start flashing after pressing button M ⑧c, the battery is not within the allowable operating temperature range**
- LED-light L ⑨
 - LED-light automatically lights on when activating the on/off switch
 - ! **when LED-light starts flashing, the battery protection is activated (see below)**
- Battery protection
 - The tool is suddenly being switched off or prevented from being switched on, when
 - **the load is too high** --> remove load and restart
 - **the battery temperature is not within the allowable**

operating temperature range of -20 to +50°C --> 2 levels of the battery level indicator start flashing when pressing button M ⑧c; wait until battery has returned within the allowable operating temperature range

- **the battery is nearly empty (to protect against deep discharge)** --> a low battery level or flashing low battery level ⑧b is shown by the battery level indicator when pressing button M; charge battery

! do not continue to press the on/off switch after the tool is switched off automatically; battery may be damaged

- Changing accessories ⑩
 - ! **remove battery from tool**
 - remove/mount the required accessory as illustrated
 - ensure that the openings of the accessory engage into the tabs of the tool head (any snap-in position possible)
 - mount the accessory with the depressed centre pointing downwards
 - **check the tight seating of the accessory** (incorrect or not securely fastened accessories can come loose during operation and create a hazard)
- Dust suction ⑪
 - ! **remove battery from tool**
 - use vacuum cleaner adapter J only when working with sanding pad E
 - mount vacuum cleaner adapter J as illustrated
 - connect vacuum cleaner
 - ! **do not use dust extraction device/vacuum cleaner when sanding metal**
 - clean vacuum cleaner adapter J regularly for optimal dust pick-up performance
- Mounting of sanding sheet ⑫
 - tap the dust out of the VELCRO material on sanding pad E before mounting the sanding sheet
 - mount VELCRO sanding sheet H as illustrated
 - ! **the dust suction requires the use of perforated sanding sheets**
 - ! **perforation in sanding sheet should correspond with perforation in sanding foot**
 - ! **replace worn sanding sheets in time**
 - ! **always use the tool with the total VELCRO surface covered with sanding paper**
- On/off
 - switch on/off the tool by pushing switch C ② in "I"/"O" position
 - ! **before the accessory reaches the workpiece, the tool should run at full speed**
 - ! **before switching off the tool, you should lift it from the workpiece**
- Adjusting working speed ⑬
 - with wheel D the required oscillating frequency can be adjusted from low (1) to high (6) (also while tool is running)
 - the optimal working speed depends on the material and can be determined with practical trials
- Holding and guiding the tool
 - ! **while working, always hold the tool at the grey-coloured grip area(s) ⑭**
 - keep ventilation slots K uncovered
 - do not apply too much pressure on the tool (excessive pressure will cause excessive heat and may shorten the service life of the accessory)
- Depth adjustment accessory (DEPTH STOP) (not standard included) ⑮

APPLICATION ADVICE

- For optimal results on different materials use table ①⑥ as reference for determining the right accessory (**accessories not standard included**)
- For more information see www.skil.com

MAINTENANCE / SERVICE

- This tool is not intended for professional use
- Always keep tool clean (especially ventilation slots K ②)
! remove battery from tool before cleaning
- If the tool should fail despite the care taken in manufacturing and testing procedures, repair should be carried out by an after-sales service centre for SKIL power tools
 - send the tool **undismantled** together with proof of purchase to your dealer or the nearest SKIL service station (addresses as well as the service diagram of the tool are listed on www.skil.com)
- Be aware that damage due to overload or improper handling of the tool will be excluded from the warranty (for the SKIL warranty conditions see www.skil.com or ask your dealer)

ENVIRONMENT

- **Do not dispose of electric tools, batteries, accessories and packaging together with household waste material** (only for EU countries)
 - in observance of European Directive 2012/19/EC on waste of electric and electronic equipment and its implementation in accordance with national law, electric tools that have reached the end of their life must be collected separately and returned to an environmentally compatible recycling facility
 - symbol ⑦ will remind you of this when the need for disposing occurs
- ! prior to disposal protect battery terminals with heavy tape to prevent short-circuit**

NOISE / VIBRATION

- Measured in accordance with EN 62841 the sound pressure level of this tool is 86.5 dB(A) and the sound power level 97.5 dB(A) (uncertainty K = 3 dB), and the vibration * (triax vector sum; uncertainty K = 1.5 m/s²)
*** when sanding < 2.5 m/s²**
- The vibration emission level has been measured in accordance with a standardised test given in EN 62841; it may be used to compare one tool with another and as a preliminary assessment of exposure to vibration when using the tool for the applications mentioned
 - using the tool for different applications, or with different or poorly maintained accessories, may significantly **increase** the exposure level
 - the times when the tool is switched off or when it is running but not actually doing the job, may significantly **reduce** the exposure level
- ! protect yourself against the effects of vibration by maintaining the tool and its accessories, keeping your hands warm, and organizing your work patterns**

F

Outil multifonctions sans fil et sans brosse 3650

INTRODUCTION

- Cet outil est conçu pour le sciage et la découpe du bois, du plastique, des métaux et des carreaux muraux mous ainsi qu'au ponçage à sec et au grattage de petites surfaces
- Il est particulièrement bien approprié pour travailler près du bord, le sciage en plongée et bord à bord
- Cet outil n'est pas conçu pour un usage professionnel
- Cet outil accepte tous les accessoires d'outils multifonctions les plus courants, y compris les accessoires OIS et Starlock existants ③
- Lisez et conservez ce manuel d'instruction ④

CARACTERISTIQUES TECHNIQUES ①

ELEMENTS DE L'OUTIL ②

- A** Levier de serrage
 - B** Vis de serrage avec rondelle
 - C** Interrupteur marche/arrêt
 - D** Molette pour régler la vitesse
 - E** Patin de ponçage
 - F** Lame de scie à segments
 - G** Lame de scie à coupe en plongée
 - H** Feuille de ponçage
 - J** Adaptateur de l'aspirateur
 - K** Fentes de ventilation
 - L** Voyant DEL
 - M** Indicateur de niveau de charge de la batterie
 - N** Accessoire de réglage de profondeur *
- * NON FOURNI EN STANDARD

SECURITE

AVERTISSEMENTS DE SECURITE GENERAUX POUR L'OUTIL ELECTRIQUE

⚠ AVERTISSEMENT Lisez tous les avertissements de sécurité, toutes les instructions, illustrations et caractéristiques fournies avec cet outil électrique.
Le non-respect du suivi de toutes les instructions reprises ci-dessous peut provoquer un électrochoc, un incendie et/ou des blessures graves.

Conservez tous les avertissements et toutes les instructions pour pouvoir s'y reporter ultérieurement.

Le terme "outil électrique" dans les avertissements se rapporte à des outils électriques raccordés au secteur (avec câble de raccordement) et à des outils électriques à batterie (sans câble de raccordement).

1) SECURITE DE LA ZONE DE TRAVAIL

- Maintenez l'endroit de travail propre et bien éclairé.**
Un lieu de travail en désordre ou mal éclairé augmente le risque d'accidents.
- N'utilisez pas l'outil électrique dans un environnement présentant des risques d'explosion**

- et où se trouvent des liquides, des gaz ou poussières inflammables.** Les outils électriques génèrent des étincelles risquant d'enflammer les poussières ou les vapeurs.
- c) **Tenez les enfants et autres personnes éloignés durant l'utilisation de l'outil électrique.** En cas d'inattention vous risquez de perdre le contrôle sur l'outil électrique.
- 2) **SECURITE RELATIVE AU SYSTEME ELECTRIQUE**
- a) **La fiche de secteur de l'outil électrique doit être appropriée à la prise de courant. Ne modifiez en aucun cas la fiche. N'utilisez pas de fiches d'adaptateur avec des outils électriques avec mise à la terre.** Les fiches non modifiées et les prises de courant appropriées réduisent le risque de choc électrique.
- b) **Evitez le contact physique avec des surfaces mises à la terre telles que tuyaux, radiateurs, fours et réfrigérateurs.** Il y a un risque élevé de choc électrique au cas où votre corps serait relié à la terre.
- c) **N'exposez pas l'outil électrique à la pluie ou à l'humidité.** La pénétration d'eau dans un outil électrique augmente le risque d'un choc électrique.
- d) **N'utilisez pas le câble à d'autres fins que celles prévues, n'utilisez pas le câble pour porter l'outil électrique ou pour l'accrocher ou encore pour le débrancher de la prise de courant. Maintenez le câble éloigné des sources de chaleur, des parties grasses, des bords tranchants ou des parties de l'outil électrique en rotation.** Un câble endommagé ou torsadé augmente le risque d'un choc électrique.
- e) **Au cas où vous utiliseriez l'outil électrique à l'extérieur, utilisez une rallonge autorisée homologuée pour les applications extérieures.** L'utilisation d'une rallonge électrique homologuée pour les applications extérieures réduit le risque d'un choc électrique.
- f) **Si l'usage d'un outil dans un emplacement humide est inévitable, utilisez un disjoncteur de fuite à la terre.** L'utilisation d'un disjoncteur de fuite à la terre réduit le risque de choc électrique.
- 3) **SECURITE DES PERSONNES**
- a) **Restez vigilant, surveillez ce que vous faites. Faites preuve de bon sens en utilisant l'outil électrique. N'utilisez pas l'outil électrique lorsque vous êtes fatigué ou après avoir consommé de l'alcool, des drogues ou avoir pris des médicaments.** Un moment d'inattention lors de l'utilisation de l'outil électrique peut entraîner de graves blessures sur les personnes.
- b) **Portez des équipements de protection. Portez toujours des lunettes de protection.** Le fait de porter des équipements de protection personnels tels que masque anti-poussières, chaussures de sécurité antidérapantes, casque de protection ou protection acoustique suivant le travail à effectuer, réduit le risque de blessures.
- c) **Evitez tout démarrage intempestif. S'assurez que l'interrupteur est en position arrêté avant de brancher l'outil au secteur et/ou au bloc de batteries, de le ramasser ou de le porter.** Porter les outils en ayant le doigt sur l'interrupteur ou brancher des outils dont l'interrupteur est en position marche est source d'accidents.
- d) **Enlevez tout outil de réglage ou toute clé avant de mettre l'outil électrique en fonctionnement.** Une clé ou un outil se trouvant sur une partie en rotation peut causer des blessures.
- e) **Ne surestimez pas vos capacités. Veillez à garder toujours une position stable et équilibrée.** Ceci vous permet de mieux contrôler l'outil électrique dans des situations inattendues.
- f) **Portez des vêtements appropriés. Ne portez pas de vêtements amples ni de bijoux. Gardez les cheveux et les vêtements à distance des parties en mouvement.** Des vêtements amples, des bijoux ou des cheveux longs peuvent être happés par des pièces en mouvement.
- g) **Si des dispositifs servant à aspirer ou à recueillir les poussières doivent être utilisés, vérifiez que ceux-ci soient effectivement raccordés et qu'ils sont correctement utilisés.** L'utilisation des collecteurs de poussière réduit les dangers dus aux poussières.
- h) **Restez vigilant et ne pas négligez les principes de sécurité de l'outil sous prétexte que vous avez l'habitude de l'utiliser.** Une fraction de seconde d'inattention peut provoquer une blessure grave.
- 4) **UTILISATION ET EMPLOI SOIGNEUX DE L'OUTIL ELECTRIQUE**
- a) **Ne surchargez pas l'outil électrique. Utilisez l'outil électrique approprié au travail à effectuer.** Avec l'outil électrique approprié, vous travaillerez mieux et avec plus de sécurité à la vitesse pour laquelle il est prévu.
- b) **N'utilisez pas un outil électrique dont l'interrupteur est défectueux.** Un outil électrique qui ne peut plus être mis en ou hors fonctionnement est dangereux et doit être réparé.
- c) **Débranchez la fiche de la source d'alimentation et/ou enlevez le bloc de batteries, s'il est amovible, avant tout réglage, changement d'accessoires ou avant de ranger l'outil électrique.** De telles mesures de sécurité préventives réduisent le risque de démarrage accidentel de l'outil électrique.
- d) **Gardez les outils électriques non utilisés hors de portée des enfants. Ne permettez pas l'utilisation de l'outil électrique à des personnes qui ne se sont pas familiarisées avec celui-ci ou qui n'ont pas lu ces instructions.** Les outils électriques sont dangereux lorsqu'ils sont utilisés par des personnes non initiées.
- e) **Observez la maintenance des outils électriques et des accessoires. Vérifiez que les parties en mouvement fonctionnent correctement et qu'elles ne soient pas coincées, et contrôlez si des parties sont cassées ou endommagées de telle sorte que le bon fonctionnement de l'outil électrique s'en trouve entravé. Faites réparer les parties endommagées avant d'utiliser l'outil électrique.** De nombreux accidents sont dus à des outils électriques mal entretenus.
- f) **Maintenez les outils de coupe aiguisés et propres.** Des outils soigneusement entretenus avec des bords tranchants bien aiguisés se coincent moins souvent et peuvent être guidés plus facilement.
- g) **Utilisez l'outil électrique, les accessoires, les outils à monter etc. conformément à ces instructions. Tenez compte également des conditions de travail et du travail à effectuer.** L'utilisation de l'outil électrique à d'autres fins que celles prévues peut entraîner des situations dangereuses.

- h) **Il faut que les poignées et les surfaces de préhension restent sèches, propres et dépourvues d'huiles et de graisses.** Des poignées et des surfaces de préhension glissantes rendent impossibles la manipulation et le contrôle en toute sécurité de l'outil dans les situations inattendues.
- 5) **UTILISATION ET EMPLOI SOIGNEUX DES APPAREILS SANS FIL**
- a) **Ne chargez les accumulateurs que dans des chargeurs recommandés par le fabricant.** Un chargeur approprié à un type spécifique d'accumulateur peut engendrer un risque d'incendie lorsqu'il est utilisé avec d'autres accumulateurs.
- b) **Dans les outils électriques, n'utilisez que les accumulateurs spécialement prévus pour celui-ci.** L'utilisation de tout autre accumulateur peut entraîner des blessures et des risques d'incendie.
- c) **Tenez l'accumulateur non-utilisé à l'écart de toutes sortes d'objets métalliques tels qu'agrafes, pièces de monnaie, clés, clous, vis ou autres, étant donné qu'un pontage peut provoquer un court-circuit.** Un court-circuit entre les contacts d'accu peut provoquer des brûlures ou un incendie.
- d) **En cas d'utilisation abusive, du liquide peut sortir de l'accumulateur. Evitez tout contact avec ce liquide. En cas de contact par mégarde, rincez soigneusement avec de l'eau. Au cas où le liquide rentrerait dans les yeux, consultez en plus un médecin.** Le liquide qui sort de l'accumulateur peut entraîner des irritations de la peau ou causer des brûlures.
- e) **Ne pas utiliser un bloc de batteries ou un outil fonctionnant sur batteries qui a été endommagé ou modifié.** Les batteries endommagées ou modifiées peuvent avoir un comportement imprévisible provoquant un feu, une explosion ou un risque de blessure.
- f) **Ne pas exposer un bloc de batteries ou un outil fonctionnant sur batteries au feu ou à une température excessive.** Une exposition au feu ou à une température supérieure à 130°C peut provoquer une explosion.
- g) **Suivre toutes les instructions de charge et ne pas charger le bloc de batteries ou l'outil fonctionnant sur batteries hors de la plage de températures spécifiée dans les instructions.** Un chargement incorrect ou à des températures hors de la plage spécifiée de températures peut endommager la batterie et augmenter le risque de feu.
- 6) **SERVICE**
- a) **Ne faites réparer votre outil électrique que par un personnel qualifié et seulement avec des pièces de rechange d'origine.** Ceci permet d'assurer la sécurité de l'outil électrique.
- b) **Ne jamais effectuer d'opération d'entretien sur des blocs de batteries endommagés.** Il convient que l'entretien des blocs de batteries ne soit effectué que par le fabricant ou les fournisseurs de service autorisés.

INSTRUCTIONS DE SECURITE POUR OUTILS MULTIFONCTIONS SANS FIL

- **Tenez l'outil par les surfaces de préhension isolées, lors de la réalisation d'une opération au cours de laquelle l'accessoire de coupe peut entrer en**

contact avec un câblage non apparent (le contact avec un fil sous tension peut également mettre sous tension les parties métalliques de l'outil électrique et provoquer un choc électrique sur l'opérateur)

- **Utilisez des pinces ou tout autre système pratique pour fixer et soutenir la pièce à travailler sur une surface stable** (si vous la tenez dans la main ou contre le corps, elle peut devenir instable et risquer de vous échapper)

GENERALITES

- Cet outil ne doit pas être utilisé par des personnes de moins de 16 ans
- Faites attention aux vis, clous ou autres éléments qui pourraient se trouver dans la pièce à travailler et qui risqueraient d'endommager très fortement votre outil; enlevez-les avant de commencer le travail
- **Ne travaillez pas de matériaux contenant de l'amiante** (l'amiante est considéré comme étant cancérigène)
- Retirez la batterie de l'outil avant d'effectuer des réglages ou de changer d'accessoire
- En travaillant, toujours tenez fermement l'outil à l'aide des deux mains et adoptez une position de travail stable et sûre
- La poussière de matériaux, tels que la peinture contenant du plomb, certaines espèces de bois, certains minéraux et différents métaux, peut être nocive (le contact avec la poussière ou son inhalation peut provoquer des réactions allergiques et/ou des maladies respiratoires chez l'opérateur ou des personnes se trouvant à proximité); **portez un masque antipoussières et travaillez avec un appareil de dépolluissage lorsqu'il est possible d'en connecter un**
- Certains types de poussières sont classifiés comme étant cancérigènes (tels que la poussière de chêne ou de hêtre), en particulier en combinaison avec des additifs de traitement du bois; **portez un masque antipoussières et travaillez avec un appareil de dépolluissage lorsqu'il est possible d'en connecter un**
- Suivez les directives nationales relatives au dépolluissage pour les matériaux à travailler
- **Utilisez des gants de protection lors du changement d'accessoires** (tout contact avec l'accessoire peut provoquer des blessures)
- Lorsque vous rangez votre outil, le moteur doit être coupé et les pièces mobiles complètement arrêtées

LORS DU SCIAGE/DE LA COUPE

- **Éloignez vos mains de la zone de coupe;** pendant la coupe, ne passez en aucun cas vos mains sous le matériau
- **Utilisez des détecteurs appropriés afin de localiser la présence de conduites électriques ou bien s'adresser à la société locale de distribution** (un contact avec des lignes électriques peut provoquer un incendie et une décharge électrique; le fait d'endommager une conduite de gaz peut entraîner une explosion; le fait d'endommager une conduite d'eau peut entraîner des dégâts matériels ou causer une décharge électrique)
- Ne pas utiliser une lame fendue, déformée ou émoussée

LORS DU PONCAGE

- **Utilisez l'outil uniquement pour poncer à sec** (toute pénétration d'eau dans l'outil accroît le risque de choc électrique)
- Ne touchez pas la feuille de ponçage en rotation
- N'utilisez plus les feuilles de ponçage usées, fissurées ou fortement encrassées

- Lorsque vous poncez du métal, des étincelles se produisent; n'utilisez pas l'aspirateur et tenez toute autre personne ou tout matériel combustible éloignés de votre lieu de travail

BATTERIES

- **La batterie fournie est partiellement chargée** pour garantir la capacité totale de la batterie, chargez intégralement la batterie dans le chargeur de batterie avant d'utiliser l'outil à moteur pour la première fois)
- **Utilisez uniquement les batteries et les chargeurs suivants avec l'outil**
 - Batterie SKIL : BR1*31****
 - Chargeur SKIL : CR1*31****
- N'utilisez pas la batterie lorsque celle-ci est endommagée ; remplacez-la
- Ne démontez pas la batterie
- N'exposez jamais l'outil/la batterie à la pluie
- Plage de températures autorisées (outil/chargeur/ batterie):
 - pendant la charge 4...40°C
 - pendant le fonctionnement -20...+50°C
 - pour le stockage -20...+50°C

EXPLICATION DES SYMBOLES SUR L'OUTIL/LA BATTERIE

- ③ Cet outil accepte tous les accessoires d'outils multifonctions les plus courants, notamment les accessoires OIS et Starlock basics
- ④ Veuillez lire le mode d'emploi avant d'utiliser l'outil
- ⑤ La batterie explosera si elle est jetée au feu - ne la brûlez en aucun cas
- ⑥ Rangez l'outil/le chargeur/la batterie dans des endroits où la température n'excède pas 50°C
- ⑦ Ne jetez pas les outils électriques et les piles dans les ordures ménagères

UTILISATION

- Chargement de la batterie
 - ! lisez les avertissements de sécurité et les instructions fournis avec le chargeur
- Retirer/installer la batterie ②
- Indicateur de niveau de charge de la batterie ③
 - appuyez sur le bouton indicateur de niveau de charge de la batterie M pour afficher le niveau de charge actuel de la batterie ③a
 - ! si le niveau le plus bas de l'indicateur de la batterie commence à clignoter après avoir appuyé sur le bouton M ③b, la batterie est déchargée
 - ! si 2 les niveaux de l'indicateur de la batterie commencent à clignoter après avoir appuyé sur le bouton M ③c, la batterie n'est pas située dans la plage de températures de fonctionnement autorisée
- Voyant DEL L ⑨
 - le voyant LED s'allume automatiquement lorsque vous activez l'interrupteur de marche/arrêt
 - ! lorsque le voyant LED commence à clignoter, la protection de la batterie est activée (voir ci-dessous)
- Protection de la batterie
 - L'outil est soudainement mis hors tension ou la mise sous tension est empêchée lorsque
 - la charge est trop élevée --> retirez la charge et recommencez
 - la température n'est pas située dans la plage de températures de fonctionnement autorisée de -20

à +50°C --> 2 les niveaux de l'indicateur de niveau de charge de la batterie commencent à clignoter lorsque vous appuyez sur le bouton M ③c; attendez que la batterie soit revenue dans la plage de températures de fonctionnement autorisée

- la batterie est presque déchargée (pour empêcher qu'elle ne se décharge complètement) --> un niveau de batterie faible ou un niveau de batterie clignotant ③b apparaît sur l'indicateur de charge de la batterie lorsque vous appuyez sur le bouton M; chargez la batterie

! ne continuez pas à appuyer sur la commande marche/arrêt après l'arrêt automatique de l'outil; cela pourrait endommager la batterie

- Changement d'accessoires ⑩
 - ! retirez la batterie de l'outil
 - enlevez/montez l'accessoire nécessaire comme illustré
 - veillez à ce que les ouvertures de l'accessoire s'engagent dans les onglets de la tête de l'outil (toute position d'enclenchement possible)
 - montez l'accessoire, le centre enfoncé pointant vers le bas
 - veillez à ce que l'accessoire soit bien serré (les accessoires mal serrés ou qui ne sont pas serrés en toute sécurité peuvent se desserrer durant le fonctionnement et poser problème)
- Aspiration de poussières ⑪
 - ! retirez la batterie de l'outil
 - utilisez l'adaptateur de l'aspirateur J uniquement lorsque vous travaillez avec le patin de ponçage E
 - montez l'adaptateur de l'aspirateur J comme illustré
 - montez l'aspirateur
 - ! n'utilisez pas le dispositif de dépoussiérage/l'aspirateur pour le ponçage des métaux
 - visez l'adaptateur de l'aspirateur J régulièrement pour une récupération optimale des poussières
- Montage des feuilles de ponçage ⑫
 - avant de monter la feuille de ponçage E enlevez la poussière du revêtement VELCRO sur le patin de ponçage en tapant dessus
 - montez la feuille de ponçage VELCRO H comme illustré
 - ! l'aspiration des poussières exige des feuilles de ponçage perforées
 - ! la perforation du papier devrait correspondre à la perforation de la semelle de ponçage
 - ! quand les feuilles sont usagées n'attendez pas pour les changer
 - ! utilisez toujours cet outil avec la surface VELCRO complètement recouverte d'une feuille de ponçage
- Marche/arrêt
 - mettez en marche/arrêtez l'outil en poussant l'interrupteur C ② dans la position "I"/"O"
 - ! avant que l'accessoire atteigne la pièce à travailler, l'outil doit tourner à la vitesse maximum
 - ! avant d'arrêter l'outil, vous devriez le soulever de la pièce à travailler
- Adaptation de la vitesse de fonctionnement ⑬
 - avec meule D la fréquence d'oscillation requise peut être réglée de faible (1) à haute (6) (aussi pendant que l'outil tourne)
 - la vitesse de travail optimale dépend du matériau et peut être déterminée par des essais pratiques

- Tenue et guidage de l'outil
! **lorsque vous travaillez, tenez toujours l'outil par la(les) zone(s) de couleur grise** (14)
- veillez à ce que les fentes de ventilation K soient découvertes
- n'appliquez pas une pression excessive sur l'outil (l'excès de pression entraîne un surchauffe et peut réduire la durée de vie utile de l'accessoire)
- Accessoire de réglage de profondeur (DEPTH STOP) (**n'est pas livré en standard**) (15)

CONSEILS D'UTILISATION

- Pour optimiser les résultats sur différents matériaux, utilisez le tableau (16) comme référence pour déterminer l'accessoire approprié (**les accessoires ne sont pas fournis en standard**)
- Pour plus d'informations, voir www.skil.com

ENTRETIEN / SERVICE APRES-VENTE

- Cet outil n'est pas conçu pour un usage professionnel
- Maintenez toujours l'outil propre (surtout les fentes de ventilation) K (2)
! **retirez la batterie de l'outil avant de procéder au nettoyage**
- Si, malgré tous les soins apportés à la fabrication et au contrôle de l'outil, celui-ci devait avoir un défaut, la réparation ne doit être confiée qu'à une station de service après-vente agréée pour outillage SKIL
 - retournez l'outil **non démonté** avec votre preuve d'achat au revendeur ou au centre de service après-vente SKIL le plus proche (les adresses ainsi que la vue éclatée de l'outil figurent sur www.skil.com)
- Veuillez noter que tout dégât causé par une surcharge ou une mauvaise utilisation de l'outil ne sera pas couvert par la garantie (pour connaître les conditions de la garantie SKIL, surfez sur www.skil.com ou adressez-vous à votre revendeur)

ENVIRONNEMENT

- **Ne jetez pas les outils électriques, les piles, les accessoires et l'emballage dans les ordures ménagères** (pour les pays européens uniquement)
 - conformément à la directive européenne 2012/19/EG relative aux déchets d'équipements électriques ou électroniques, et à sa transposition dans la législation nationale, les outils électriques usés doivent être collectés séparément et faire l'objet d'un recyclage respectueux de l'environnement
 - le symbole (7) vous le rappellera au moment de la mise au rebut de l'outil
- ! **avant d'envoyer les batteries au recyclage, pour éviter un éventuel court-circuit, il convient de revêtir les bornes d'un épais ruban adhésif isolant**



BRUIT / VIBRATION

- Mesurés selon EN 62841, le niveau de pression sonore de cet outil est de 86,5 dB(A), le niveau de puissance acoustique est de 97,5 dB(A) (incertitude K = 3 dB), et la vibration * (somme vectorielle triax ; incertitude K = 1,5 m/s²)
* pendant le ponçage < 2,5 m/s²
- Le niveau de vibrations émises a été mesuré conformément à l'essai normalisé de la norme EN 62841 ; il peut être utilisé pour comparer plusieurs outils et pour réaliser une évaluation préliminaire de l'exposition aux vibrations lors de l'utilisation de l'outil pour les applications mentionnées
 - l'utilisation de l'outil dans d'autres applications, ou avec des accessoires différents ou mal entretenus, peut considérablement **augmenter** le niveau d'exposition
 - la mise hors tension de l'outil et sa non-utilisation pendant qu'il est allumé peuvent considérablement **réduire** le niveau d'exposition
- ! **protégez-vous contre les effets des vibrations par un entretien correct de l'outil et de ses accessoires, en gardant vos mains chaudes et en structurant vos schémas de travail**

D

Bürstenloses Akku-Multifunktionswerkzeug

3650

EINLEITUNG

- Dieses Werkzeug dient zum Sägen und Trennen von Holz, Kunststoff, Putz, Metall und weichen Wandfliesen sowie zum trockenen Schleifen und Schaben kleiner Flächen
- Es ist besonders zum randnahen und eintauchenden und bündigen Arbeiten geeignet
- Dieses Werkzeug eignet sich nicht für den professionellen Einsatz
- Dieses Werkzeug kann mit den meisten handelsüblichen Zubehöerteilen für Multifunktionswerkzeuge verwendet werden, einschließlich OIS- und Starlock-Zubehör (3)
- Bitte diese Bedienungsanleitung sorgfältig lesen und aufbewahren (4)

TECHNISCHE DATEN (1)

WERKZEUGKOMPONENTEN (2)

- A Spannhebel
- B Befestigungsschraube mit Unterlegscheibe
- C Ein/Aus-Schalter
- D Drehzahlregler
- E Schleifplatte
- F Segmentsägeblatt
- G Tauchsägeblatt
- H Schleifblatt
- J Staubsaugeranschluß
- K Lüftungsschlitze
- L LED-Lampe
- M Akkuladeanzeige
- N Tiefeneinstellungszubehör *

* STANDARDMÄSSIG NICHT ENTHALTEN

SICHERHEIT

ALLGEMEINE SICHERHEITSHINWEISE FÜR ELEKTROWERKZEUGE

⚠️ WARNUNG Lesen Sie alle Sicherheitshinweise, Anweisungen, Abbildungen und technischen Daten dieses Elektrogeräts. Die Nichtbeachtung der nachfolgenden Anweisungen kann zu Stromschlägen, Bränden bzw. ernsthaften Verletzungen führen.

Bewahren Sie alle Sicherheitshinweise und Anweisungen für die Zukunft auf.

Der in den Sicherheitshinweisen verwendete Begriff "Elektrowerkzeug" bezieht sich auf netzbetriebene Elektrowerkzeuge (mit Netzkabel) und auf akkubetriebene Elektrowerkzeuge (ohne Netzkabel).

1) ARBEITSPLATZSICHERHEIT

- a) **Halten Sie Ihren Arbeitsbereich sauber und gut beleuchtet.** Unordnung oder unbeleuchtete Arbeitsbereiche können zu Unfällen führen.
- b) **Arbeiten Sie mit dem Elektrowerkzeug nicht in explosionsgefährdeter Umgebung, in der sich brennbare Flüssigkeiten, Gase oder Stäube befinden.** Elektrowerkzeuge erzeugen Funken, die den Staub oder die Dämpfe entzünden können.
- c) **Halten Sie Kinder und andere Personen während der Benutzung des Elektrowerkzeuges fern.** Bei Ablenkung können Sie die Kontrolle über das Elektrowerkzeug verlieren.

2) ELEKTRISCHE SICHERHEIT

- a) **Der Anschlussstecker des Elektrowerkzeuges muss in die Steckdose passen. Der Stecker darf in keiner Weise verändert werden. Verwenden Sie keine Adapterstecker gemeinsam mit geschützten Elektrowerkzeugen.** Unveränderte Stecker und passende Steckdosen verringern das Risiko eines elektrischen Schlages.
- b) **Vermeiden Sie Körperkontakt mit geerdeten Oberflächen, wie von Rohren, Heizungen, Herden und Kühlschränken.** Es besteht ein erhöhtes Risiko durch elektrischen Schlag, wenn Ihr Körper geerdet ist.
- c) **Halten Sie das Elektrowerkzeug von Regen oder Nässe fern.** Das Eindringen von Wasser in ein Elektrogerät erhöht das Risiko eines elektrischen Schlages.
- d) **Zweckentfremden Sie das Kabel nicht, um das Elektrowerkzeug zu tragen, aufzuhängen oder um den Stecker aus der Steckdose zu ziehen. Halten Sie das Kabel fern von Hitze, Öl, scharfen Kanten oder sich bewegenden Elektrowerkzeugteilen.** Beschädigte oder verwickelte Kabel erhöhen das Risiko eines elektrischen Schlages.
- e) **Wenn Sie mit einem Elektrowerkzeug im Freien arbeiten, verwenden Sie nur Verlängerungskabel, die auch für den Außenbereich zugelassen sind.** Die Anwendung eines für den Außenbereich geeigneten Verlängerungskabels verringert das Risiko eines elektrischen Schlages.
- f) **Wenn der Betrieb des Elektrowerkzeuges in feuchter Umgebung nicht vermeidbar ist, verwenden Sie einen Fehlerstromschutzschalter.** Der Einsatz eines

Fehlerstromschutzschalters vermindert das Risiko eines elektrischen Schlages.

3) SICHERHEIT VON PERSONEN

- a) **Seien Sie aufmerksam, achten Sie darauf, was Sie tun, und gehen Sie mit Vernunft an die Arbeit mit einem Elektrowerkzeug. Benutzen Sie das Elektrowerkzeug nicht, wenn Sie müde sind oder unter dem Einfluss von Drogen, Alkohol oder Medikamenten stehen.** Ein Moment der Unachtsamkeit beim Gebrauch des Elektrowerkzeuges kann zu ernsthaften Verletzungen führen.
 - b) **Tragen Sie persönliche Schutzausrüstung und immer eine Schutzbrille.** Das Tragen persönlicher Schutzausrüstung, wie Staubmaske, rutschfesteste Sicherheitsschuhe, Schutzhelm oder Gehörschutz, je nach Art und Einsatz des Elektrowerkzeuges, verringert das Risiko von Verletzungen.
 - c) **Vermeiden Sie eine unbeabsichtigte Inbetriebnahme. Vergewissern Sie sich, dass das Elektrowerkzeug ausgeschaltet ist, bevor Sie es an die Stromversorgung und/oder den Akku anschließen, es aufnehmen oder tragen.** Wenn Sie beim Tragen des Elektrowerkzeuges den Finger am Schalter haben oder das Elektrowerkzeug eingeschaltet an die Stromversorgung anschließen, kann dies zu Unfällen führen.
 - d) **Entfernen Sie Einstellwerkzeuge oder Schraubenschlüssel, bevor Sie das Elektrowerkzeug einschalten.** Ein Werkzeug oder Schlüssel, der sich in einem drehenden Elektrowerkzeugeteil befindet, kann zu Verletzungen führen.
 - e) **Überschätzen Sie sich nicht. Sorgen Sie für einen sicheren Stand und halten Sie jederzeit das Gleichgewicht.** Dadurch können Sie das Elektrowerkzeug in unerwarteten Situationen besser kontrollieren.
 - f) **Tragen Sie geeignete Kleidung. Tragen Sie keine weite Kleidung oder Schmuck. Halten Sie Haare und Kleidung fern von sich bewegenden Teilen.** Lockere Kleidung, Schmuck oder lange Haare können von sich bewegenden Teilen erfasst werden.
 - g) **Wenn Staubabsaug- und -auffangeinrichtungen montiert werden können, vergewissern Sie sich, dass diese angeschlossen sind und richtig verwendet werden.** Verwendung einer Staubabsaugung verringert Gefährdungen durch Staub.
 - h) **Wiegen Sie sich nicht in falscher Sicherheit und setzen Sie sich nicht über die Sicherheitsregeln für Elektrowerkzeuge hinweg, auch wenn Sie nach vielfachem Gebrauch mit dem Elektrowerkzeug vertraut sind.** Achtloses Handeln kann binnen Sekundenbruchteilen zu schweren Verletzungen führen.
- ### 4) SORGFÄLTIGER UMGANG UND GEBRAUCH VON ELEKTROWERKZEUGEN
- a) **Überlasten Sie das Elektrowerkzeug nicht. Verwenden Sie für Ihre Arbeit das dafür bestimmte Elektrowerkzeug.** Mit dem passenden Elektrowerkzeug arbeiten Sie besser und sicherer im angegebenen Leistungsbereich.
 - b) **Benutzen Sie kein Elektrowerkzeug, dessen Schalter defekt ist.** Ein Elektrowerkzeug, das sich nicht mehr ein- oder ausschalten lässt, ist gefährlich und muss repariert werden.

- c) **Ziehen Sie den Stecker aus der Steckdose und/ oder entfernen Sie einen abnehmbaren Akku, bevor Sie Geräteeinstellungen vornehmen, Zubehörteile wechseln oder das Elektrowerkzeug weglegen.** Diese Vorsichtsmaßnahme verhindert den unbeabsichtigten Start des Elektrowerkzeuges.
- d) **Bewahren Sie unbenutzte Elektrowerkzeuge außerhalb der Reichweite von Kindern auf. Lassen Sie Personen das Elektrowerkzeug nicht benutzen, die mit diesem nicht vertraut sind oder diese Anweisungen nicht gelesen haben.** Elektrowerkzeuge sind gefährlich, wenn Sie von unerfahrenen Personen benutzt werden.
- e) **Pflegen Sie Elektrowerkzeuge und Zubehör mit Sorgfalt. Kontrollieren Sie, ob bewegliche Elektrowerkzeugeteile einwandfrei funktionieren und nicht klemmen, ob Teile gebrochen oder so beschädigt sind, dass die Funktion des Elektrowerkzeuges beeinträchtigt ist. Lassen Sie beschädigte Teile vor dem Einsatz des Elektrowerkzeuges reparieren.** Viele Unfälle haben ihre Ursache in schlecht gewarteten Elektrowerkzeugen.
- f) **Halten Sie Schneidwerkzeuge scharf und sauber.** Sorgfältig gepflegte Schneidwerkzeuge mit scharfen Schneidkanten verklemmen sich weniger und sind leichter zu führen.
- g) **Verwenden Sie Elektrowerkzeug, Zubehör, Einsatzwerkzeuge usw. entsprechend diesen Anweisungen. Berücksichtigen Sie dabei die Arbeitsbedingungen und die auszuführende Tätigkeit.** Der Gebrauch von Elektrowerkzeugen für andere als die vorgesehenen Anwendungen kann zu gefährlichen Situationen führen.
- h) **Halten Sie Griffe und Griffflächen trocken, sauber und frei von Öl und Fett.** Rutschige Griffe und Griffflächen erlauben keine sichere Bedienung und Kontrolle des Elektrowerkzeuges in unvorhergesehenen Situationen.
- 5) SORGFÄLTIGER UMGANG UND GEBRAUCH VON AKKUGERÄTEN**
- a) **Laden Sie die Akkus nur in Ladegeräten auf, die vom Hersteller empfohlen werden.** Für ein Ladegerät, das für eine bestimmte Art von Akkus geeignet ist, besteht Brandgefahr, wenn es mit anderen Akkus verwendet wird.
- b) **Verwenden Sie nur die dafür vorgesehenen Akkus in den Elektrowerkzeugen.** Der Gebrauch von anderen Akkus kann zu Verletzungen und Brandgefahr führen.
- c) **Halten Sie den nicht benutzten Akku fern von Büroklammern, Münzen, Schlüsseln, Nägeln, Schrauben oder anderen kleinen Metallgegenständen, die eine Überbrückung der Kontakte verursachen könnten.** Ein Kurzschluss zwischen den Akkukontakten kann Verbrennungen oder Feuer zur Folge haben.
- d) **Bei falscher Anwendung kann Flüssigkeit aus dem Akku austreten. Vermeiden Sie den Kontakt damit. Bei zufälligem Kontakt mit Wasser abspülen. Wenn die Flüssigkeit in die Augen kommt, nehmen Sie zusätzlich ärztliche Hilfe in Anspruch.** Austretende Akkufflüssigkeit kann zu Hautreizungen oder Verbrennungen führen.
- e) **Benutzen Sie keinen beschädigten oder veränderten Akku.** Beschädigte oder veränderte Akkus können sich

unvorhersehbar verhalten und zu Feuer, Explosion oder Verletzungsgefahr führen.

- f) **Setzen Sie einen Akku keinem Feuer oder zu hohen Temperaturen aus.** Feuer oder Temperaturen über 130°C können eine Explosion hervorrufen.
- g) **Befolgen Sie alle Anweisungen zum Laden und laden Sie den Akku oder das Akkuzerkzeug niemals außerhalb des in der Betriebsanleitung angegebenen Temperaturbereichs.** Falsches Laden oder Laden außerhalb des zugelassenen Temperaturbereichs kann den Akku zerstören und die Brandgefahr erhöhen.
- 6) SERVICE**
- a) **Lassen Sie Ihr Elektrowerkzeug nur von qualifiziertem Fachpersonal und nur mit Original-Ersatzteilen reparieren.** Damit wird sichergestellt, dass die Sicherheit des Elektrowerkzeuges erhalten bleibt.
- b) **Warten Sie niemals beschädigte Akkus.** Sämtliche Wartung von Akkus sollte nur durch den Hersteller oder bevollmächtigte Kundendienststellen erfolgen.

SICHERHEITSHINWEISE FÜR KABELLOSES MULTIFUNKTIONSWERKZEUG

- **Halten Sie das Elektrowerkzeug an den isolierten Griffflächen, wenn Sie Arbeiten ausführen, bei denen das Einsatzwerkzeug verborgene Stromleitungen treffen kann** (der Kontakt mit einer spannungsführenden Leitung kann auch Metallteile des Elektrowerkzeuges unter Spannung setzen und zu einem elektrischen Schlag führen)
- **Verwenden Sie Klemmen oder andere praktische Vorrichtungen, um das Werkstück an einer stabilen Plattform zu sichern und zu befestigen** (wenn das Werkstück in der Hand oder gegen den Körper gehalten wird, ist es nicht stabil und man kann die Kontrolle verlieren)

ALLGEMEINES

- Der Benutzer dieses Werkzeuges sollte älter als 16 Jahre sein
- Beschädigungen durch Schrauben, Nägel und ähnliches an Ihrem Werkstück vermeiden; diese vor Arbeitsbeginn entfernen
- **Bearbeiten Sie kein asbesthaltiges Material** (Asbest gilt als krebserregend)
- Die Batterie aus dem Werkzeug herausnehmen, bevor Einstellungen vorgenommen oder Zubehörteile gewechselt wird
- Beim Arbeiten das Werkzeug immer mit beiden Händen festhalten und einen sicheren Stand einnehmen
- Staub von Materialien wie Farbe, die Blei enthält, einigen Holzarten, Mineralien und Metall kann schädlich sein (Kontakt mit oder Einatmen des Staubs kann zu allergischen Reaktionen und/oder Atemwegskrankheiten beim Bediener oder Umstehenden führen); **tragen Sie eine Staubmaske und arbeiten Sie mit einem Staubabsaugungssystem, wenn ein solches angeschlossen werden kann**
- Bestimmte Arten von Staub sind als karzinogen klassifiziert (beispielsweise Eichen- und Buchenholzstaub), insbesondere in Verbindung mit Zusätzen für die Holzvorbehandlung; **tragen Sie eine Staubmaske und arbeiten Sie mit einem Staubabsaugungssystem, wenn ein solches angeschlossen werden kann**

- Beachten Sie die für Ihr verwendetes Verbrauchsmaterial gültigen nationalen Staubschutzvorgaben
- **Verwenden Sie Schutzhandschuhe zum Austauschen von Zubehör** (Kontakt mit Zubehör kann zu Verletzungen führen)
- Sobald Sie sich von Ihrem Werkzeug entfernen, sollte dieses ausgeschaltet werden und die sich bewegenden Teile vollkommen zum Stillstand gekommen sein

BEIM SÄGEN/TRENNEN

- **Hände vom Schnittbereich fern halten;** niemals während des Schneidens unter das Material greifen
- **Verwenden Sie geeignete Suchgeräte, um verborgene Versorgungsleitungen aufzuspüren, oder ziehen Sie die örtliche Versorgungsgesellschaft hinzu** (Kontakt mit Elektroleitungen kann zu Feuer und elektrischem Schlag führen; Beschädigung einer Gasleitung kann zur Explosion führen; Eindringen in eine Wasserleitung verursacht Sachbeschädigung oder kann einen elektrischen Schlag verursachen)
- Rissige oder stumpfe Sägeblätter, oder solche, die ihre Form verändert haben, dürfen nicht verwendet werden

BEIM SCHLEIFEN

- **Verwenden Sie das Werkzeug nur zum Trockenschleifen** (das Eindringen von Flüssigkeiten erhöht das Risiko eines Stromschlags)
- Nicht mit dem laufenden Schleifpapier in Berührung kommen
- Verwenden Sie verschlissene, eingerissene oder stark zugesetzte Schleifpapiere nicht weiter
- Beim Schleifen von Metall entstehen Funken; verwenden Sie den Staubsauger nicht und halten Sie andere Personen sowie brennbare Materialien von Ihrem Arbeitsbereich fern

BATTERIEN

- **Der mitgelieferte Akku ist teilweise geladen** (um die volle Kapazität des Akkus nutzen zu können, laden Sie den Akku im Ladegerät vollständig auf, bevor Sie das Elektrowerkzeug zum ersten Mal verwenden)
- **Nur die mit diesem Werkzeug mitgelieferten Batterien und Ladegeräte verwenden**
 - SKIL-Batterie: BR1*31****
 - SKIL-Ladegerät: CR1*31****
- Beschädigte Batterien nicht weiter verwenden, sondern ersetzen
- Die Batterie nicht auseinandernehmen
- Das Werkzeug/die Batterie niemals Regen aussetzen
- Erlaubte Umgebungstemperatur (Werkzeug/Ladegerät/Batterie):
 - beim Laden 4...40°C
 - beim Betrieb -20...+50°C
 - bei Lagerung -20...+50°

ERKLÄRUNG DER SYMBOLE AUF DEM WERKZEUG/ AKKU

- ③ Tieses Werkzeug kann mit den meisten handelsüblichen Zubehörteilen für Multifunktionswerkzeuge verwendet werden, einschließlich OIS- und Starlock-Zubehör
- ④ Die Bedienungsanleitung vor dem Gebrauch lesen
- ⑤ Batterien werden bei Kontakt mit Feuer explodieren, die Batterien daher niemals verbrennen
- ⑥ Bewahren Sie das Werkzeug/Ladegerät/Batterie stets bei Raumtemperaturen unter 50°C auf
- ⑦ Elektrowerkzeuge und Batterien nicht in den Hausmüll werfen

BEDIENUNG

- Aufladen des Akkus
 - ! **Lesen Sie die mit dem Ladegerät gelieferten Sicherheitshinweise**
- Entfernen/Einlegen von Batterien ②
- Akkuladeanzeige ⑧
 - Drücken Sie die auf die Akkustandsanzeige M, um den aktuellen Akkustand anzuzeigen ⑧a
 - ! **Wenn der niedrigste Wert der Akkustandsanzeige nach dem Drücken der Taste M ⑧b blinkt, ist der Akku leer**
 - ! **Wenn die Werte 2 der Akkustandsanzeige nach dem Drücken der Taste M ⑧c blinken, befindet sich der Akku nicht im zulässigen Betriebstemperaturbereich**
- LED-Lampe L ⑨
 - LED-Lampe geht automatisch an, wenn der Ein-/Ausschalter aktiviert wird
 - ! **Wenn die LED-Lampe zu blinken beginnt, ist der Akkuschutz aktiviert (siehe unten)**
- Batterieschutz
 - Das Gerät wird plötzlich ausgeschaltet oder kann nicht mehr eingeschaltet werden, wenn
 - **die Last zu hoch ist** --> Last entfernen und neu starten
 - **die Akkutemperatur nicht im zulässigen Betriebstemperaturbereich von -20 bis +50° C liegt** --> 2 Werte der Akkustandsanzeige blinken nach dem Drücken der Taste M ⑧c; warten, bis sich der Akku wieder innerhalb des zulässigen Betriebstemperaturbereichs befindet
 - **der Akku fast leer ist (zum Schutz vor Tiefentladung)** --> ein niedriger Akkustand oder ein blinkender Akkustand ⑧b wird von der Akkustandsanzeige angezeigt, wenn die Taste M gedrückt wird; Akku laden
 - ! **nach einer automatischen Ausschaltung des Werkzeugs nicht weiterhin auf den Ein-/Ausschalter drücken; der Akku kann beschädigt werden**
- Auswechseln des Zubehörs ⑩
 - ! **die Batterie aus dem Werkzeug herausnehmen**
 - entfernen/montieren Sie das gewünschte Zubehör wie abgebildet
 - stellen Sie sicher, dass die Öffnungen des Zubehörs in die Zungen des Werkzeugkopfs greifen (jede Einrastposition möglich)
 - montieren Sie das Zubehör mit der vertieften Mitte nach unten
 - **prüfen Sie den festen Sitz des Zubehörs** (falsch oder nicht sicher befestigtes Zubehör kann sich im Betrieb lösen und gefährlich werden)
- Staubabsaugung ⑪
 - ! **die Batterie aus dem Werkzeug herausnehmen**
 - Staubsaugeranschluss J nur bei der Arbeit mit der Schleifplatte E verwenden
 - Staubsaugeranschluss J wie dargestellt montieren
 - Staubsauger anschließen
 - ! **Staubabsaugsystem/Staubsauger nicht beim Schleifen von Metall verwenden**
 - regelmäßige Entleerung des Staubsaugeranschlusses J sorgt für optimale Absaugung

- Schleifpapierbefestigung ⑫
 - VELCRO-Klettgewebe der Schleifplatte E vor Aufsetzen des Schleifpapiers ausklopfen
 - VELCRO-Schleifpapier H wie dargestellt befestigen
 - ! für die Staubabsaugung brauchen Sie gelochtes Schleifpapier**
 - ! die Löcher im Schleifpapier sollten mit denen der Schleifplatte übereinstimmen**
 - ! abgenutztes Schleifpapier rechtzeitig erneuern**
 - ! benutzen Sie das Werkzeug nur, wenn die gesamte VELCRO-Fläche mit Schleifpapier bedeckt ist**
- Ein-/Aus-Schalten
 - Werkzeug durch Drücken des Ein-/Aus-Schalters C ② in die Position "I"/"O" ein-/ausschalten
 - ! bevor das Zubehör in das Werkstück eingeführt wird, muß erst Höchstgeschwindigkeit erreicht werden**
 - ! vor dem Ausschalten des Werkzeuges sollte dieses vom Werkstück abgenommen werden**
- Einstellung der Arbeitsgeschwindigkeit ⑬
 - mit dem Rad D wird die gewünschte Schwinggeschwindigkeit von niedrig (1) bis hoch (6) eingestellt (auch wenn das Gerät läuft)
 - die optimale Arbeitsgeschwindigkeit hängt vom Material ab und kann durch praktische Versuche festgestellt werden
- Halten und Führen des Werkzeuges
 - ! Werkzeug beim Arbeiten immer am grauen Griffbereich fassen ⑭**
 - Lüftungsschlitze K unbedeckt halten
 - nicht zu viel Druck auf das Werkzeug ausüben (zu hoher Druck führt zu verstärkter Hitzeentwicklung und verkürzt die Lebensdauer des Zubehörs)
- Tiefeneinstellungszubehör (DEPTH STOP) (nicht standardmäßig enthalten) ⑮

ANWENDUNGSHINWEISE

- Für optimale Ergebnisse bei verschiedenen Werkstoffen finden Sie in der Tabelle ⑯ Informationen zur Ermittlung des richtigen Zubehörs (**Zubehör nicht standardmäßig enthalten**)
- Für weitere Informationen verweisen wir auf www.skil.com

WARTUNG / SERVICE

- Dieses Werkzeug eignet sich nicht für den professionellen Einsatz
- Halten Sie das Werkzeug immer sauber (insbesondere die Lüftungsschlitze K ②)
 - ! Vor der Montage die Batterie aus dem Werkzeug entfernen**
- Sollte das Elektrowerkzeug trotz sorgfältiger Herstellungs- und Prüfverfahren einmal ausfallen, ist die Reparatur von einer autorisierten Kundendienststelle für SKIL-Elektrowerkzeuge ausführen zu lassen
 - das Werkzeug **unzerlegt**, zusammen mit dem Kaufbeleg, an den Lieferer oder die nächste SKIL-Vertragswerkstätte senden (die Anschriften so wie die Ersatzteilzeichnung des Werkzeuges finden Sie unter www.skil.com)
- Beachten Sie, dass ein falscher oder unsachgemäßer Gebrauch des Werkzeugs zum Erlöschen der Garantie führt (die SKIL-Garantiebedingungen finden Sie unter www.skil.com oder fragen Sie Ihren Händler)

UMWELT

- **Elektrowerkzeuge, Batterien, Zubehör und Verpackungen nicht in den Hausmüll werfen** (nur für EU-Länder)
 - gemäß Europäischer Richtlinie 2012/19/EG über Elektro- und Elektronik- Altgeräte und Umsetzung in nationales Recht müssen nicht mehr gebrauchsfähige Elektrowerkzeuge getrennt gesammelt und einer umweltgerechten Wiederverwertung zugeführt werden
 - hieran soll Sie Symbol ⑦ erinnern
 - ! bevor Sie die Batterie entsorgen, schützen Sie die Batterienden mit einem schweren Band, um so Kriechströme zu vermeiden**

GERÄUSCH / VIBRATION

- Gemessen nach EN 62841 beträgt der Schalldruckpegel dieses Werkzeugs 86,5 dB(A) und der Schalleistungspegel 97,5 dB(A) (Unsicherheit K = 3 dB), und die Schwingung * (Triaxvektorsumme; Unsicherheit K = 1,5 m/s²)
 - * beim Schleifen < 2,5 m/s²**
- Die Vibrationsemissionsstufe wurde mit einem standardisierten Test gemäß EN 62841 gemessen; Sie kann verwendet werden, um ein Werkzeug mit einem anderen zu vergleichen und als vorläufige Beurteilung der Vibrationsexposition bei Verwendung des Werkzeuges für die angegebenen Anwendungszwecke
 - die Verwendung des Werkzeuges für andere Anwendungen oder mit anderem oder schlecht gewartetem Zubehör kann die Expositionsstufe erheblich **erhöhen**
 - Zeiten, zu denen das Werkzeug ausgeschaltet ist, oder wenn es läuft aber eigentlich nicht eingesetzt wird, können die Expositionsstufe erheblich **verringern**
 - ! schützen Sie sich vor den Auswirkungen der Vibration durch Wartung des Werkzeuges und des Zubehörs, halten Sie Ihre Hände warm und organisieren Sie Ihren Arbeitsablauf**

NL

Borstelloze snoerloze 3650 multifunctionele machine

INTRODUCTIE

- Deze machine is bedoeld voor het zagen en snijden van hout, kunststof, pleister, metaal en zachte muurtegels alsmede voor het droog schuren en afkrabben van kleine oppervlakken
- Deze is bij uitstek geschikt voor werkzaamheden langs opstaande randen, voor invallend zagen en werkzaamheden langs aansluitende randen
- Deze machine is niet bedoeld voor professioneel gebruik
- Deze machine kan worden gebruikt in combinatie met vrijwel alle algemeen verkrijgbare accessoires voor multifunctionele machines, inclusief bestaande OIS- en Starlock-accessoires ③
- Lees en bewaar deze gebruiksaanwijzing ④

TECHNISCHE GEGEVENS ①

MACHINE-ELEMENTEN ②

- A Spanhendel
 - B Klemschroef met sluitring
 - C Aan/uit schakelaar
 - D Toerental-instelwiel
 - E Schuurkussen
 - F Segmentzaagblad
 - G Instekzaagblad
 - H Schuurpapier
 - J Stofzuigeraansluitstuk
 - K Ventilatie-openingen
 - L LED-lampje
 - M Batterijniveau-indicator
 - N Accessoire voor diepteafstelling *
- * NIET STANDAARD MEEGELEVERD

VEILIGHEID

ALGEMENE VEILIGHEIDSWAARSCHUWINGEN VOOR ELEKTRISCHE GEREEDSCHAPPEN

WAARSCHUWING Lees alle veiligheidswaarschuwingen, instructies, afbeeldingen en specificaties die met dit elektrische gereedschap zijn meegeleverd. Het niet volgen van alle hieronder genoemde instructies kan elektrische schokken, brand en/of ernstig letsel tot gevolg hebben.

Bewaar alle waarschuwingen en voorschriften voor toekomstig gebruik.

Het in de waarschuwingen gebruikte begrip "elektrisch gereedschap" heeft betrekking op elektrische gereedschappen voor gebruik op het stroomnet (met netsnoer) en op elektrische gereedschappen voor gebruik met een accu (zonder netsnoer).

1) VEILIGHEID VAN DE WERKOMGEVING

- a) **Houd uw werkomgeving schoon en opgeruimd.** Een rommelige of onverlichte werkomgeving kan tot ongevallen leiden.
- b) **Werk met het gereedschap niet in een omgeving met explosiegevaar waarin zich brandbare vloeistoffen, gassen of stof bevinden.** Elektrische gereedschappen veroorzaken vonken die het stof of de dampen tot ontsteking kunnen brengen.
- c) **Houd kinderen en andere personen tijdens het gebruik van het elektrische gereedschap uit de buurt.** Wanneer u wordt afgeleid, kunt u de controle over het gereedschap verliezen.

2) ELEKTRISCHE VEILIGHEID

- a) **De aansluitstekker van het gereedschap moet in het stopcontact passen. De stekker mag in geen geval worden veranderd. Gebruik geen adapterstekkers in combinatie met geaarde gereedschappen.** Onveranderde stekkers en passende stopcontacten beperken het risico van een elektrische schok.
- b) **Voorkom aanraking van het lichaam met geaarde oppervlakken, bijvoorbeeld van buizen, verwarmingen, fornuizen en koelkasten.** Er bestaat een verhoogd risico door een elektrische schok wanneer uw lichaam geaard is.

- c) **Houd het gereedschap uit de buurt van regen en vocht.** Het binnendringen van water in het elektrische gereedschap vergroot het risico van een elektrische schok.
 - d) **Gebruik de kabel niet voor een verkeerd doel, om het gereedschap te dragen of op te hangen of om de stekker uit het stopcontact te trekken. Houd de kabel uit de buurt van hitte, olie, scherpe randen en bewegende gereedschapsdelen.** Beschadigde of in de war geraakte kabels vergroten het risico van een elektrische schok.
 - e) **Wanneer u buitenshuis met elektrisch gereedschap werkt, dient u alleen verlengkabels te gebruiken die voor gebruik buitenshuis zijn goedgekeurd.** Het gebruik van een voor gebruik buitenshuis geschikte verlengkabel beperkt het risico van een elektrische schok.
 - f) **Als het gebruik van het elektrische gereedschap in een vochtige omgeving onvermijdelijk is, dient u een aardlekschakelaar te gebruiken.** Het gebruik van een aardlekschakelaar vermindert het risico van een elektrische schok.
- #### 3) PERSOONLIJKE VEILIGHEID
- a) **Wees alert, let goed op wat u doet en ga met verstand te werk bij het gebruik van het elektrische gereedschap. Gebruik het gereedschap niet wanneer u moe bent of onder invloed staat van drugs, alcohol of medicijnen.** Een moment van onoplettendheid bij het gebruik van het gereedschap kan tot ernstige verwondingen leiden.
 - b) **Draag persoonlijke beschermende uitrusting en altijd een veiligheidsbril.** Het dragen van persoonlijke beschermende uitrusting zoals een stofmasker, slipvaste werkschoenen, een veiligheidshelm of gehoorbescherming, afhankelijk van de aard en het gebruik van het elektrische gereedschap, vermindert het risico van verwondingen.
 - c) **Voorom per ongeluk inschakelen. Controleer dat het elektrische gereedschap uitgeschakeld is voordat u de stekker in het stopcontact steekt of de accu aansluit en voordat u het gereedschap oppakt of draagt.** Wanneer u bij het dragen van het elektrische gereedschap uw vinger aan de schakelaar hebt of wanneer u het gereedschap ingeschakeld op de stroomvoorziening aansluit, kan dit tot ongevallen leiden.
 - d) **Verwijder instelgereedschappen of schroefsleutels voordat u het gereedschap inschakelt.** Een instelgereedschap of sleutel in een draaiend deel van het gereedschap kan tot verwondingen leiden.
 - e) **Probeer niet ver te reiken. Zorg ervoor dat u stevig staat en steeds in evenwicht blijft.** Daardoor kunt u het gereedschap in onverwachte situaties beter onder controle houden.
 - f) **Draag geschikte kleding. Draag geen loshangende kleding of sieraden. Houd haren en kleding uit de buurt van bewegende delen.** Loshangende kleding, sieraden en lange haren kunnen door bewegende delen worden meegenomen.
 - g) **Wanneer stofafzuigings- of stofopvangvoorzieningen kunnen worden gemonteerd, dient u zich ervan te verzekeren dat deze zijn aangesloten en juist worden gebruikt.** Het gebruik van een stofafzuiging beperkt het gevaar door stof.

h) **Ondanks het feit dat u eventueel heel goed vertrouwd bent met het gebruik van gereedschappen, moet u ervoor zorgen dat u niet nonchalant wordt en veiligheidsvoorschriften voor het gereedschap gaat negeren.** Een onoplettende handeling kan binnen een fractie van een seconde ernstig letsel veroorzaken.

4) GEBUIK EN ONDERHOUD VAN ELEKTRISCHE GEREEDSCHAPPEN

a) **Overbelast het gereedschap niet. Gebruik voor uw werkzaamheden het daarvoor bestemde elektrische gereedschap.** Met het passende elektrische gereedschap werkt u beter en veiliger binnen het aangegeven capaciteitsbereik.

b) **Gebruik geen elektrisch gereedschap waarvan de schakelaar defect is.** Elektrisch gereedschap dat niet meer kan worden in- of uitgeschakeld, is gevaarlijk en moet worden gerepareerd.

c) **Trek de stekker uit het stopcontact en/of neem de accu (indien uitneembaar) uit het elektrische gereedschap voordat u het elektrische gereedschap instelt, accessoires wisselt of het elektrische gereedschap opbergt.** Deze voorzorgsmaatregel voorkomt onbedoeld starten van het elektrische gereedschap.

d) **Bewaar niet-gebruikte elektrische gereedschappen buiten bereik van kinderen. Laat het gereedschap niet gebruiken door personen die er niet mee vertrouwd zijn en deze aanwijzingen niet hebben gelezen.** Elektrische gereedschappen zijn gevaarlijk wanneer deze door onervaren personen worden gebruikt.

e) **Verzorg het gereedschap zorgvuldig. Controleer of bewegende delen van het gereedschap correct functioneren en niet vastklemmen en of onderdelen zodanig gebroken of beschadigd zijn dat de werking van het gereedschap nadelig wordt beïnvloed. Laat beschadigde delen repareren voordat u het gereedschap gebruikt.** Veel ongevallen hebben hun oorzaak in slecht onderhouden elektrische gereedschappen.

f) **Houd snijdende inzetgereedschappen scherp en schoon.** Zorgvuldig onderhouden snijdende inzetgereedschappen met scherpe snijkanten klemmen minder snel vast en zijn gemakkelijker te geleiden.

g) **Gebruik elektrische gereedschappen, toebehoren, inzetgereedschappen en dergelijke volgens deze aanwijzingen. Let daarbij op de arbeidsomstandigheden en de uit te voeren werkzaamheden.** Het gebruik van elektrische gereedschappen voor andere dan de voorziene toepassingen kan tot gevaarlijke situaties leiden.

h) **Houd handgrepen en greepvlakken droog, schoon en vrij van olie en vet.** Gladde handgrepen en greepvlakken verhinderen dat het gereedschap in onverwachte situaties veilig kan worden gehanteerd en bediend.

5) GEBUIK EN ONDERHOUD VAN ACCUGEREEDSCHAPPEN

a) **Laad accu's alleen op in opladers die door de fabrikant worden geadviseerd.** Voor een oplader die voor een bepaald type accu geschikt is, bestaat brandgevaar wanneer deze met andere accu's wordt gebruikt.

b) **Gebruik alleen de daarvoor bedoelde accu's in de elektrische gereedschappen.** Het gebruik van andere accu's kan tot verwondingen en brandgevaar leiden.

c) **Voorkom aanraking van de niet-gebruikte accu met paperclips, munten, sleutels, spijkers, schroeven en andere kleine metalen voorwerpen die overbrugging van de contacten kunnen veroorzaken.** Kortsluiting tussen de accucontacten kan brandwonden of brand tot gevolg hebben.

d) **Bij verkeerd gebruik kan vloeistof uit de accu lekken. Voorkom contact. Spoel bij onvoorzien contact met water af. Wanneer de vloeistof in de ogen komt, dient u bovendien een arts te raadplegen.** Gelekte accuvloeistof kan tot huidirritaties en verbrandingen leiden.

e) **Gebruik accu of gereedschap niet, als deze beschadigd of veranderd zijn.** Beschadigde of veranderde accu's kunnen onvoorspelbaar gedrag vertonen, waardoor een brand, explosie of het gevaar van letsel kan ontstaan.

f) **Stel accu of gereedschap niet bloot aan vuur of overmatige temperaturen.** Blootstelling aan vuur of temperaturen boven 130°C kan een explosie veroorzaken.

g) **Volg alle aanwijzingen voor het laden en laad de accu of het gereedschap niet buiten het temperatuurbereik dat in de aanwijzingen is vermeld.** Verkeerd laden of laden bij temperaturen buiten het vastgelegde bereik kan de accu beschadigen en het risico van brand vergroten.

6) SERVICE

a) **Laat het gereedschap alleen repareren door gekwalificeerd en vakkundig personeel en alleen met originele vervangingsonderdelen.**

Daarmee wordt gewaarborgd dat de veiligheid van het gereedschap in stand blijft.

b) **Voer nooit servicewerkzaamheden aan beschadigde accu's uit.** Service van accu's dient uitsluitend te worden uitgevoerd door de fabrikant of erkende servicewerkplaatsen.

VEILIGHEIDSVOORSCHRIFTEN VOOR OPLAADBARE MULTIFUNCTIONELE MACHINES

- **Houd het elektrische gereedschap aan de geïsoleerde greepvlakken vast als u werkzaamheden uitvoert waarbij het inzetgereedschap verborgen stroomleidingen kan raken** (contact met een onder spanning staande leiding kan ook metalen delen van het elektrische gereedschap onder spanning zetten en tot een elektrische schok leiden)
- **Gebruik klemmen of pas een andere handige manier toe om het werkstuk vast te zetten en te ondersteunen op een stabiel platform** (bij het in de hand of tegen het lichaam houden van het werkstuk, kan de machine niet goed onder controle worden gehouden)

ALGEMEEN

- Deze machine mag niet worden gebruikt door personen onder de 16 jaar
- Voorkom schade, die kan ontstaan door schroeven, spijkers en andere voorwerpen in uw werkstuk; verwijder deze, voordat u aan een karwei begint
- **Bewerk geen asbesthoudend materiaal** (asbest geldt als kankerverwekkend)

- Verwijder de batterij uit de machine voordat u instellingen verandert of een accessoire verwisselt
- Houd de machine tijdens het werken altijd stevig met beide handen vast en zorg ervoor, dat u stevig staat
- Stof van materiaal zoals loodhoudende verf, sommige houtsoorten, mineralen en metaal kunnen schadelijk zijn (contact met of inademing van de stof kan allergische reacties en/of ademhalingsziekten bij gebruiker of omstanders veroorzaken); **draag een stofmasker en werk met een stofvang-voorziening als die kan worden aangesloten**
- Bepaalde soorten stof zijn geclassificeerd als kankerverwekkend (zoals stof van eiken en beuken), met name in combinatie met toevoegingsmiddelen voor houtverzorging; **draag een stofmasker en werk met een stofvang-voorziening als die kan worden aangesloten**
- Neem voor de door u te bewerken materialen de nationale voorschriften aangaande stofvang in acht
- **Gebruik beschermende handschoenen bij het verwisselen van accessoires** (contact met het accessoire kan resulteren in letsel)
- Als u de machine wegzet moet de motor uitgeschakeld zijn en de bewegende delen tot stilstand zijn gekomen

TIJDENS ZAGEN/SNIJDEN

- **Houd uw handen uit de buurt van het snijgebied;** ga in geen geval met uw handen onder het materiaal tijdens het snijden
- **Gebruik een geschikt detectieapparaat om verborgen stroom-, gas- of waterleidingen op te sporen of raadpleeg het plaatselijke energie- of waterleidingbedrijf** (contact met elektrische leidingen kan tot brand of een elektrische schok leiden; beschadiging van een gasleiding kan tot een explosie leiden; breuk van een waterleiding veroorzaakt materiële schade en kan tot een elektrische schok leiden)
- Gebruik geen beschadigd, vervormd of bot zaagblad

TIJDENS SCHUREN

- **Gebruik de machine uitsluitend voor droogschuren** (penetratie van water in de machine vergroot het risico van een elektrische schok)
- Kom niet in aanraking met het draaiend schuurpapier
- Gebruik versleten, gescheurd of ernstig beschadigd schuurpapier niet meer
- Bij het schuren van metaal ontstaan vonken; gebruik de stofzuiger niet en houd andere personen en brandbaar materiaal van het werkgebied weg

BATTERIJEN

- **De geleverde batterij is deels opgeladen** (om een volledige capaciteit van de batterij te garanderen, moet u de batterij volledig opladen in de oplader voordat u uw elektrische gereedschap voor de eerste keer gebruikt)
- **Gebruik uitsluitend de volgende batterijen en opladers voor deze machine**
 - SKIL-batterij: BR1*31****
 - SKIL-oplader: CR1*31****
- Gebruik de batterij niet, wanneer deze beschadigd is; vervang deze
- Haal de batterij niet uit elkaar
- Stel machine/batterij niet bloot aan regen
- Toegestane omgevingstemperatuur (machine/oplader/batterij):
 - bij het laden 4...40°C
 - bij het gebruik -20...+50°C
 - bij opslag -20...+50°C

UITLEG VAN SYMBOLEN OP MACHINE/BATTERIJ

- ③ Deze machine kan worden gebruikt in combinatie met vrijwel alle algemeen verkrijgbare accessoires voor multifunctionele machines, inclusief bestaande OIS- en Starlock-basisaccessoires
- ④ Lees de gebruiksaanwijzing vóór gebruik
- ⑤ Batterijen exploderen als zij in vuur worden gegooid, dus verbrand de batterij in geen geval
- ⑥ Bewaar de machine/oplader/batterij op een plaats, waar de temperatuur niet hoger dan 50°C kan worden
- ⑦ Geef elektrisch gereedschap en batterijen niet met het huisvuil mee

GEBRUIK

- Opladen batterij
 - ! lees de veiligheids waarschuwingen en -voorschriften die bij de oplader worden geleverd
- Verwijderen/installeren van de batterij ②
- Batterijniveau-indicator ⑧
 - druk op de batterijniveau-indicator knop M om het huidige batterijniveau ⑧a aan te geven
 - ! wanneer het laagste niveau van de batterij-indicator gaat knipperen nadat er op knop M ⑧b is gedrukt, is de batterij leeg
 - ! wanneer 2 niveaus van de batterij-indicator gaan knipperen nadat er op knop M ⑧c is gedrukt, is de batterij niet binnen het toegestane bedrijfstemperatuurbereik
- LED-lampje L ⑨
 - LED-lampje licht automatisch op bij activeren van de aan/uit-schakelaar
 - ! als het LED-lampje gaat knipperen is de batterijbescherming geactiveerd (zie hieronder)
- Batterijbescherming
 - De machine wordt plotseling uitgeschakeld of kan niet meer worden ingeschakeld, wanneer
 - de belasting te hoog is --> hef de belasting op en start opnieuw
 - de temperatuur van de batterij niet binnen het toegestane bedrijfstemperatuurbereik ligt van -20 tot +50°C --> 2 niveaus van de batterijniveau-indicator gaan knipperen als er op knop M ⑧c wordt gedrukt; wacht tot de batterij weer binnen het toegestane bedrijfstemperatuurbereik zit
 - de batterij bijna leeg is (ter bescherming tegen diepe ontlading) --> er wordt (knipperend) een laag batterijniveau ⑧b aangegeven door de batterijniveau-indicator als er op knop M wordt gedrukt; batterij opladen
 - ! blijf niet op de aan/uit-schakelaar drukken nadat de machine automatisch is uitgeschakeld; de batterij kan beschadigd worden
- Verwisselen van accessoires ⑩
 - ! verwijder de batterij uit de machine
 - verwijder/monteer het vereiste accessoire zoals aangegeven in de afbeelding
 - zorg dat de opening van het accessoire in de nokjes aan de voorkant van de machine past (mogelijk klikt deze in positie)
 - monteer het accessoire met het ingedrukte middenstuk naar beneden gericht
 - controleer of het accessoire goed vast zit (accessoires die onjuist of niet goed vast zitten, kunnen tijdens gebruik loskomen en een gevaar vormen)

- Stofzuiging ^①
 - ! **verwijder de batterij uit de machine**
 - gebruik stofzuigeraansluitstuk J alleen bij gebruik van schuurkussen E
 - stofzuigeraansluitstuk J zoals afgebeeld bevestigen
 - sluit stofzuiger aan
 - ! **gebruik de stofopvangvoorziening/stofzuiger niet bij het schuren van metaal**
 - reinig stofzuigeraansluitstuk J regelmatig voor optimale stofzuiging
- Bevestigen van schuurpapier ^②
 - klop het stof uit het VELCRO-materiaal op schuurkussen E voorafgaand aan bevestiging van het schuurpapier
 - breng VELCRO-schuurpapier H aan zoals afgebeeld
 - ! **ten behoeve van stofzuiging altijd geperforeerd schuurpapier gebruiken**
 - ! **perforatie van het schuurpapier moet corresponderen met perforatie in de schuurvoet**
 - ! **vervang versleten schuurpapier tijdig**
 - ! **gebruik de machine alleen wanneer het gehele VELCRO-oppervlak met schuurpapier is bedekt**
- Aan/uit
 - schakel de machine aan/uit door schakelaar C ^② in stand "I"/"O" te zetten
 - ! **voordat het accessoire in aanraking komt met het werkstuk, moet uw machine op volle toeren draaien**
 - ! **voordat u de machine uitschakelt, dient u deze van het werkstuk op te lichten**
- Werksnelheid aanpassen ^③
 - met schijf D kan de gewenste oscillerende frequentie worden ingesteld van laag (1) tot hoog (6) (ook terwijl de machine wordt gebruikt)
 - de optimale werksnelheid is afhankelijk van het materiaal en kan proefondervindelijk worden vastgesteld
- Vasthouden en leiden van de machine
 - ! **houd de machine tijdens het werk altijd vast bij het(de) grijs-gekleurde greepvlak(ken)** ^④
 - houd ventilatie-openingen K onbedekt
 - oefen niet teveel druk uit op de machine (overmatige druk zal leiden tot overmatige hitte en kan de levensduur van het accessoire bekorten)
- Accessoire voor dieptestelling (DEPTH STOP) (woord niet standaard meegeleverd) ^⑤

TOEPASSINGSADVIES

- Voor optimale resultaten op verschillende materialen tabel ^⑥ gebruiken als referentie voor het bepalen van de juiste accessoire (accessoires worden niet standaard meegeleverd)
- Voor meer informatie zie www.skil.com

ONDERHOUD / SERVICE

- Deze machine is niet bedoeld voor professioneel gebruik
- Houd machine altijd schoon (met name de ventilatie-openingen K ^②)
 - ! **verwijder vóór het reinigen de batterij uit de machine**
- Mocht het elektrische gereedschap ondanks zorgvuldige fabricage- en testmethoden toch defect raken, dient

- de reparatie te worden uitgevoerd door een erkende klantenservice voor SKIL elektrische gereedschappen
- stuur de machine **ongedemonteerd**, samen met het aankoopbewijs, naar het verkoopadres of het dichtstbijzijnde SKIL service-station (de adressen evenals de onderdeelentekening van de machine vindt u op www.skil.com)
- Denk erom, dat beschadigingen als gevolg van overbelasting of onjuist gebruik van de machine niet onder de garantie vallen (voor de garantievoorwaarden van SKIL zie www.skil.com of raadpleeg uw dealer)

MILIEU

- **Geef elektrisch gereedschap, batterijen, accessoires en verpakkingen niet met het huisvuil mee** (alleen voor EU-landen)
 - volgens de Europese richtlijn 2012/19/EG inzake oude elektrische en elektronische apparaten en de toepassing daarvan binnen de nationale wetgeving, dient afgedankt elektrisch gereedschap gescheiden te worden ingezameld en te worden afgevoerd naar een recycle-bedrijf, dat voldoet aan de geldende milieu-eisen
 - symbool ^⑦ zal u in het afdankstadium hieraan herinneren
 - ! **bescherm de batterij-contacten met stevig plakband voordat ze afgedankt worden, om kortsluiting te voorkomen**

GELUID / VIBRATIE

- Gemeten in navolging van EN 62841 is het geluidsdrukkniveau van deze machine 86,5 dB(A) en het geluidsvermogensniveau 97,5 dB(A) (onzekerheid K = 3 dB), en de trilling * (triax vector som; onzekerheid K = 1.5 m/s²)
 - * bij het schuren < 2,5 m/s²
- Het trillingsemissieniveau is gemeten in overeenstemming met een gestandaardiseerde test volgens EN 62841; deze mag worden gebruikt om twee machines met elkaar te vergelijken en als voorlopige beoordeling van de blootstelling aan trilling bij gebruik van de machine voor de vermelde toepassingen
 - gebruik van de machine voor andere toepassingen, of met andere of slecht onderhouden accessoires, kan het blootstellingsniveau aanzienlijk **verhogen**
 - wanneer de machine is uitgeschakeld of wanneer deze loopt maar geen werk verricht, kan dit het blootstellingsniveau aanzienlijk **reduceren**
 - ! **bescherm uzelf tegen de gevolgen van trilling door de machine en de accessoires te onderhouden, uw handen warm te houden en uw werkwijze te organiseren**

S

**Borstlöst, sladdlöst
multifunktionsverktyg**

3650

INTRODUKTION

- Detta verktyg är avsett för att sågning och kapning av trä, plast, gips, metallar och mjuka väggplattor samt för torr slipning och skrapning av mindre ytor

- Verktuget är speciellt lämpligt för instickssågning och exakta arbeten nära kanter
- Det här verktuget är inte avsett för yrkesmässig användning
- Det här verktuget kan användas tillsammans med de flesta vanliga multiverktygstillbehör, inklusive befintliga OIS- och Starlock-tillbehör ③
- Läs och spara denna instruktionsbok ④

TEKNISKA DATA ①

VERKTYGSELEMENT ②

- A Klämspak
 - B Klämskruv med bricka
 - C Till/från strömbrytare
 - D Hjul för varvtalsinställning
 - E Slipskiva
 - F Segmentsågblad
 - G Instickssågblad
 - H Slippapper
 - J Dammsugaradapter
 - K Ventilationsöppningar
 - L Lysdiodlampa
 - M Batteriindikator
 - N Djupinställningstillbehör *
- * INGÅR EJ SOM STANDARD

SÄKERHET

ALLMÄNNA SÄKERHETSANVISNINGAR FÖR ELVERKTYG

⚠ VARNING Studera alla varningar, anvisningar, bilder och specifikationer gällande säkerhet som medföljer verktuget. Om anvisningarna inte följs kan det resultera i elektriska stötar, brand och/eller allvarliga personskador.

Förvara alla varningar och anvisningar för framtida bruk.

Nedan använt begrepp "elverktyg" hänför sig till nätdrivna elverktyg (med nätsladd) och till batteridrivna elverktyg (sladdlösa).

1) ARBETSPLATSSÄKERHET

- a) **Håll arbetsplatsen ren och välbelyst.** Oordning på arbetsplatsen eller dåligt belyst arbetsområde kan leda till olyckor.
- b) **Använd inte elverktuget i explosionsfarlig omgivning med brännbara vätskor, gaser eller damm.** Elverktuget alstrar gnistor som kan antända dammet eller gaserna.
- c) **Håll under arbetet med elverktuget barn och obehöriga personer på betryggande avstånd.** Om du störs av obehöriga personer kan du förlora kontrollen över elverktuget.

2) ELEKTRISK SÄKERHET

- a) **Elverktugets stickpropp måste passa till vägguttaget. Stickproppen får absolut inte förändras. Använd inte adapterkontakter tillsammans med skyddsjordade elverktyg.** Oförändrade stickproppar och passande vägguttag reducerar risken för elektriskt slag.

- b) **Undvik kroppskontakt med jordade ytor som t. ex. rör, värmeelement, spisar och kylskåp.** Det finns en större risk för elektriskt slag om din kropp är jordad.
- c) **Skydda elverktuget mot regn och väta.** Tränger vatten in i ett elverktyg ökar risken för elektriskt slag.
- d) **Missbruka inte nätsladden och använd den inte för att bära eller hänga upp elverktuget och inte heller för att dra stickproppen ur vägguttaget. Håll nätsladden på avstånd från värme, olja, skarpa kanter och rörliga maskindelar.** Skadade eller tilltrasslade ledningar ökar risken för elektriskt slag.
- e) **När du arbetar med ett elverktyg utomhus använd endast förlängningssladdar som är godkända för utomhusbruk.** Om en lämplig förlängningssladd för utomhusbruk används minskar risken för elektriskt slag.
- f) **Använd en jordfelsbrytare om det inte är möjligt att undvika elverktugets användning i fuktig miljö.** Genom att använda en jordfelsbrytare minskas risken för elstöt.

3) PERSONSÄKERHET

- a) **Var uppmärksam, kontrollera vad du gör och använd elverktuget med förnuft. Använd inte elverktuget när du är trött eller om du är påverkad av droger, alkohol eller mediciner.** Under användning av elverktyg kan även en kort uppmärksamhet leda till allvarliga kroppsskador.
 - b) **Bär alltid personlig skyddsutrustning och skyddsglasögon.** Användning av personlig skyddsutrustning som t. ex. dammfiltermask, halkfria säkerhetsskor, skyddshjälm och hörselskydd reducerar alltefter elverktugets typ och användning risken för kroppsskada.
 - c) **Undvik oavsiktlig igångsättning. Kontrollera att elverktuget är fränkopplat innan du ansluter stickproppen till vägguttaget och/eller ansluter/tar bort batteriet, tar upp eller bär elverktuget.** Om du bär elverktuget med fingret på strömställaren eller ansluter påkopplat elverktyg till nätströmmen kan olycka uppstå.
 - d) **Ta bort alla inställningsverktyg och skruvnycklar innan du kopplar på elverktuget.** Ett verktyg eller en nyckel i en roterande komponent kan medföra kroppsskada.
 - e) **Överskatta inte din förmåga. Se till att du står stadigt och håller balansen.** I detta fall kan du lättare kontrollera elverktuget i oväntade situationer.
 - f) **Bär lämpliga kläder. Bär inte löst hängande kläder eller smycken. Håll håret och kläderna på avstånd från de rörliga delarna.** Löst hängande kläder, smycken och långt hår kan dras in av roterande delar.
 - g) **Vid elverktyg med dammutsugnings- och uppsamlingsutrustning kontrollera att anordningarna är rätt monterade och används på korrekt sätt.** Användning av dammutsugning minskar de risker damm orsakar.
 - h) **Låt inte vanan att ofta använda verktygen göra att du blir slarvig och ignorerar verktygets säkerhetsprinciper.** En vårdslös åtgärd kan leda till allvarlig personskada inom bräddelen av en sekund.
- #### 4) OMSORGSFULL HANTERING OCH ANVÄNDNING AV ELVERKTYG
- a) **Överbelasta inte elverktuget. Använd för aktuellt arbete avsett elverktyg.** Med ett lämpligt elverktyg kan du arbeta bättre och säkrare inom angivet effektområde.

- b) **Ett elverktyg med defekt strömställare får inte längre användas.** Ett elverktyg som inte kan kopplas in eller ur är farligt och måste repareras.
- c) **Dra stickproppen ur vägguttaget och/eller ta bort batteriet, om det kan tas ut ur elverktyget, innan inställningar utförs, tillbehörsdelar byts ut eller elverktyget lagras.** Denna skyddsåtgärd förhindrar oavsiktlig inkoppling av elverktyget.
- d) **Förvara elverktygen oåtkomliga för barn. Låt elverktyget inte användas av personer som inte är förtrogna med dess användning eller inte läst denna anvisning.** Elverktygen är farliga om de används av oerfarna personer.
- e) **Underhåll elverktyg och tillbehör omsorgsfullt. Kontrollera att rörliga komponenter fungerar felfritt och inte kärvar, att komponenter inte brustit eller skadats; orsaker som kan leda till att elverktygets funktioner påverkas menligt. Låt skadade delar repareras innan elverktyget återanvänds.** Många olyckor orsakas av dåligt skötta elverktyg.
- f) **Håll skärverktygen skarpa och rena.** Omsorgsfullt skötta skärverktyg med skarpa eggar kommer inte så lätt i kläm och går lättare att styra.
- g) **Använd elverktyget, tillbehör, insatsverktyg osv. enligt dessa anvisningar. Ta hänsyn till arbetsvillkoren och arbetsmomenten.** Används elverktyget på icke ändamålsenligt sätt kan farliga situationer uppstå.
- h) **Håll handtag och greppytor torra, rena och fria från olja och fett.** Hala handtag och greppytor ger ingen säker hantering och kontroll över verktyget i oväntade situationer.
- 5) OMSORGSFULL HANTERING OCH ANVÄNDNING AV SLADDLÖSA ELVERKTYG**
- a) **Ladda batterierna endast i de laddare som tillverkaren rekommenderat.** Om en laddare som är avsedd för en viss typ av batterier används för andra batterityper finns risk för brand.
- b) **Använd endast batterier som är avsedda för aktuellt elverktyg.** Används andra batterier finns risk för kroppsskada och brand.
- c) **Håll gem, mynt, nycklar, spikar, skruvar och andra små metallföremål på avstånd från reservbatterier för att undvika en bygling av kontaktarna.** En kortslutning av batteriets kontakter kan leda till brännskador eller brand.
- d) **Om batteriet används på fel sätt finns risk för att vätska rinner ur batteriet. Undvik kontakt med vätskan. Vid oavsiktlig kontakt spola med vatten. Om vätska kommer i kontakt med ögonen uppsök dessutom läkare.** Batterivätskan kan medföra hudirritation eller brännskada.
- e) **Använd inte batteriet eller verktyg som är skadade eller modifierade.** Skadade eller modifierade batterier kan bete sig oväntat vilket leder till brand, explosion eller risk för personskador.
- f) **Du ska inte exponera ett batteri eller verktyg för brand eller för hög temperatur.** Exponering för brand eller temperaturer över 130°C kan leda till explosion.
- g) **Följ alla laddningsinstruktioner och ladda inte batteriet eller verktyget utanför det temperaturomfång som specificeras i instruktionerna.** En olämplig laddning eller en laddning

vid en temperatur som ligger utanför det specificerade området kan skada batteriet och öka brandrisken.

6) SERVICE

- a) **Låt elverktyget repareras endast av kvalificerad fackpersonal och med originalreservdelar.** Detta garanterar att elverktygets säkerhet upprätthålls.
- b) **Utför aldrig service på skadade batterier.** Service på batterier får endast utföras av tillverkaren eller auktoriserade tjänsteleverantörer.

SAKERHETSANVISNINGAR FÖR SLADDLÖSA MULTIFUNKTIONSVERKTYG

- **Håll verktyget i de isolerade greppytorna när en åtgärd utförs där sågtillbehöret kan komma i kontakt med dolt kablage** (skärtillbehör som kommer i kontakt med en strömförande ledning kan orsaka att även verktygets exponerade metalldelar blir strömförande, vilket utgör risk för att användaren utsätts för elektriska stötar)
- **Använd klämmor eller något annat praktiskt sätt att säkra och stötta arbetsstycket mot en stabil plattform** (om du håller arbetsstycket i handen eller mot kroppen blir det instabilt, vilket kan leda till att du tappar kontrollen)

ALLMÄNT

- Den här maskinen ska inte användas av personer under 16 år
- Undvik skador genom att ta bort skruvar, spikar eller andra föremål ur arbetsstycket; ta dem bort innan du startar ett arbete
- **Asbesthaltigt material får inte bearbetas** (asbest anses vara cancerframkallande)
- titta aldrig ner i luftutsläppet/munstycket
- Vid arbete håll alltid maskinen stadigt med båda händerna och se till att du står stadigt
- Viss typ av damm, exempelvis färg som innehåller bly, vissa träsorter, mineraler och metaller kan vara hälsovådliga om de inhaleras (hudkontakt eller inandning kan ge allergisk reaktion och/eller luftvägsproblem/sjukdom hos personen i närheten); **använd andningsskydd och arbeta med en dammuppsamlare om sådan anslutning finns**
- Vissa typer av damm är klassificerade så som carcinogena (t.ex. ek- och björkdamm) särskilt i kombination med tillsatser för träbehandling; **använd andningsskydd och arbeta med en dammuppsamlare om sådan anslutning finns**
- Följ de nationella krav, som finns angående damm, för de material du skall arbeta med
- **Använd skyddshandskar när du byter tillbehör** (kontakt med tillbehöret kan leda till skador)
- När du ställer ifrån dig maskinen måste motorn vara fränslagen och de rörliga delarna ska ha stannat fullständigt

VID SÅGNING/KAPNING

- **Håll händer undan från kapningsområdet;** undanhåll händer från materialets undersida vid kapning
- **Använd lämpliga detektorer för lokalisering av dolda försörjningsledningar eller konsultera lokalt distributionsföretag** (kontakt med elledning kan förorsaka brand och elstöt; en skadad gasledning kan leda till explosion; borring i vattenledning kan förorsaka saksador eller elstöt)
- Använd inte en trasig, deformerad eller slö blad

VID SLIPNING

- **Använd endast verktyget för torrsandning** (inträngande av vatten i verktyget ökar risken för en elektrisk stöt)
- Berör inte roterande slippapper
- Förslitna, rivna eller kraftigt igensatta slippapper får ej användas
- Vid slipning av metall bildas gnistor; använd inte dammsugare och håll andra personer och antändbart material på avstånd från arbetsområdet

BATTERIERNA

- **Det medföljande batteriet är delvis laddat** (i syfte att garantera batteriets fulla kapacitet ska det laddas helt och hållet i batteriladdaren innan verktyget används för första gången)
- **Använd endast följande batterier och laddare med det här verktyget**
 - SKIL-batteri: BR1*31****
 - SKIL-laddare: CR1*31****
- Använd inte batteriet om det är skadat; det ska bytas ut
- Demontera inte batteriet
- Utsätt inte verktyget/batteriet för regn
- Tillåten omgivningstemperatur (verktyg/laddare/batteri):
 - vid laddning 4...40°C
 - vid drift -20...+50°C
 - vid förvaring -20...+50°C

FÖRKLARING AV SYMBOLER PÅ VERKTYGET/

BATTERIET

- ③ Det här verktyget kan användas tillsammans med de flesta vanliga multiverktygstillbehör, inklusive befintliga OIS- och Starlock-bastillbehör
- ④ Läs bruksanvisningen före användning
- ⑤ Batterierna kan explodera om de utsätts för eld, undanhåll batterierna från heta källor
- ⑥ Förvara maskinen/laddaren/batteriet i lokaler, där temperaturen inte överstiger 50°C
- ⑦ Elektriska verktyg och batterier får inte kastas i hushållssoporna

ANVÄNDNING

- Laddning av batteri
! läs säkerhetsvarningarna och anvisningarna som levereras med laddaren
- Ta bort/sätta i batteriet ②
- Batteriindikator ⑧
 - tryck på indikatorknappen M för batterinivå för att visa aktuellt batterinivå ⑧a
 - ! när batteriindikatorns lägsta nivå börjar att blinka efter att knappen M ⑧b tryckts in, är batteriet tomt**
 - ! när batteriindikatorns lägsta nivåer 2 börjar blinka efter knappen M ⑧c tryckts in, är batteriet inte inom tillåtet drifttemperaturområde**
- Lysdiodlampa L ⑨
Lysdiodlampa tänds automatiskt när till/frånströmbrytaren aktiveras
! när lysdiodlampan börjar att blinka, är batteriskyddet aktiverat (se nedan)
- Batteriskydd
Verktyget stängs plötsligt av eller förhindras att startas när
 - **belastningen är för hög** --> ta bort belastning och starta om

- **batteriets temperatur över- eller underskrider arbetsområdet -20 till +50°C** --> batteriindikatorns nivåer 2 börjar blinka när knappen M ⑧c trycks in; vänta tills batteriet återigen är inom tillåtet drifttemperaturområde
- **batteriet är nästan tomt (för att skydda fullständig urladdning)** --> en låg batterinivå eller blinkande låg batterinivå ⑧b visas av batteriindikatorn när knappen M trycks på; ladda batteriet
- ! fortsätt inte trycka på till/frånknappen efter att verktyget stängts av automatiskt; batteriet kan skadas**
- Byte av tillbehör ⑩
 - ! ta ut batteriet ur maskinen**
 - ta bort/montera det erforderade tillbehöret enligt bilden
 - kontrollera att tillbehörets öppningar hakar fast i verktygshuvudets tungor (alla låspositioner möjliga)
 - montera tillbehöret med den nedtryckta mittpunkten nedåt
 - **kontrollera att tillbehöret sitter ordentligt** (felaktigt eller ej säkert monterade tillbehör kan lossna under användning och medföra fara)
 - Dammuppsugning ⑪
 - ! ta ut batteriet ur maskinen**
 - använd endast dammsugaradaptern J vid arbete med slipskivan E
 - monter dammsugarartillbehör J enligt bilden
 - anslut dammsugaren
 - ! använd inte dammsugningsenheten/dammsugaren när du slipar metall**
 - rengör dammsugaradaptern J regelbundet för optimal dammuppsugning
 - Montering av slippapper ⑫
 - knacka dammet från kardborrfästet på slipskivan E innan du fäster slippapperet
 - montera VELCRO-slippapperet H enligt bilden
 - ! dammuppsamlingen kräver perforerat slippapper**
 - ! perforering i slippappret ska överensstämma med hålen i slippattan**
 - ! byt slitna slippapper i tid**
 - ! använd maskinen alltid med hela kardborrytan täckt med slippapper**
 - Till/från
 - starta/stäng av maskinen genom att sätta omkopplaren C ② i läget "I"/"O"
 - ! innan tillbehöret sätts till arbetsstycket skall maskinen ha uppnått full hastighet**
 - ! maskinen skall tas bort från arbetsstycket innan den stängs av**
 - Ställa in arbetshastigheten ⑬
 - med skivan D kan den erforderade oscillerande frekvensen justeras från låg (1) till hög (6) (även när verktyget är igång)
 - bästa arbetshastighet är beroende på materialet och kan bäst avgöras genom att prova sig fram
 - Fattning och styrning av maskinen
 - ! under arbetet, håll alltid verktyget i det grå greppet ⑭**
 - håll ventilationsöppningarna K ej övertäckta
 - använd inte för stort tryck på verktyget (högt tryck genererar mer värme vilket förkortar livslängden på tillbehöret)
 - Djupinställningstillbehör (DEPTH STOP) (ingår inte som standard) ⑮

ANVÄNDNINGSTIPS

- För optimala resultat med olika material används tabell ① som referens för att avgöra rätt tillbehör (**tillbehör medföljer inte som standard**)
- Besök www.skil.com för mer information

UNDERHÅLL / SERVICE

- Det här verktyget är inte avsedd för yrkesmässig användning
- Håll alltid verktyget rent (i synnerhet ventilationsöppningarna K ②)
- **! ta bort batteriet från verktyget före rengöring**
- Om i elverktyget trots exakt tillverkning och sträng kontroll störning skulle uppstå, bör reparation utföras av auktoriserad serviceverkstad för SKIL elverktyg
 - sänd in verktyget i **odemonterat skick** tillsammans med inköpsbevis till försäljaren eller till närmaste SKIL serviceverkstad (adresser till servicestationer och sprängskisser av maskiner finns på www.skil.com)
- Observera att skada till följd av ovarsamhet eller överbelastning inte täcks av garantin (för SKIL garantivillkor gå till www.skil.com eller fråga återförsäljaren)

MILJÖ

- **Elektriska verktyg, batterier, tillbehör och förpackning får inte kastas i hushållssoporna** (gäller endast EU-länder)
 - enligt direktivet 2012/19/EG som avser äldre elektrisk och elektronisk utrustning och dess tillämpning enligt nationell lagstiftning ska uttjänta elektriska verktyg sorteras separat och lämnas till miljövänlig återvinning
 - symbolen ⑦ kommer att påminna om detta när det är tid att kassera
- **! före avyttring av batterierna, tejsa kontaktytorna med kraftig tejp för att undvika kortslutning**

LJUD / VIBRATION

- Det här verktygets ljudtrycksnivå som mätts enligt EN 62841 är 86,5 dB(A), ljudeffektnivån är 97,5 dB(A) (osäkerhet K = 3 dB) och vibrationen * (triax vektorsumma; osäkerhet K = 1,5 m/s²)
 - * vid slipning < 2,5 m/s²
- Vibrationsemissionsvärdet har uppmätts enligt ett standardiserat test i enlighet med EN 62841; detta värde kan användas för att jämföra vibrationen hos olika verktyg och som en ungefärlig uppskattning av hur stor vibration användaren utsätts för när verktyget används enligt det avsedda syftet
 - om verktyget används på ett annat än det avsedda syftet eller med fel eller dåligt underhållna tillbehör kan detta drastiskt **öka** vibrationsnivån
 - när verktyget stängs av eller är på men inte används, kan detta avsevärt **minska** vibrationsnivån
- **! skydda dig mot vibration genom att underhålla verktyget och dess tillbehör, hålla händerna varma och styra upp ditt arbetssätt**

DK

Børsteløs trådløs multifunktionsværktøj

3650

INLEDNING

- Dette værktøj er beregnet til at save og skære i træ, plastik, puds, metal og bløde vægfliser såvel som tør slibning og skrabning af små flader
- Det er især egnet til kantnært og kantflugtende arbejde samt dyksavning
- Dette værktøj er ikke beregnet til professionelt brug
- Dette værktøj accepterer det mest almindeligt tilgængelige multiværktøjstilbehør, herunder eksisterende OIS- og Starlock-tilbehør ③
- Læs og gem denne betjeningsvejledning ④

TEKNISKE DATA ①

VÆRKTØJETS DELE ②

- A Spændearm
 - B Spændeskruer med renser
 - C Tænd/sluk afbryder
 - D Hastighedsvalgshjul
 - E Slibeklods
 - F Segmentsavklinge
 - G Kortsåret savklinge
 - H Slibepapir
 - J Støvsugeradaptore
 - K Ventilationshuller
 - L LED-lys
 - M Indikator for batteritilstand
 - N Dybdejusteringstilbehør *
- * MEDFØLGER IKKE SOM STANDARD

SIKKERHED

GENERELLE SIKKERHEDSINSTRUKSER FOR EL-VÆRKTØJ

⚠ ADVARSEL Læs alle sikkerhedsadvarsler, instruktioner, illustrationer og specifikationer, der leveres med dette elektriske værktøj. Hvis alle instruktioner opført herunder ikke følges, kan det medføre elektrisk stød, brand og/eller alvorlige kvæstelser.

Gem alle advarsler og instruktioner til senere brug.

Begrebet "elværktøj" i advarselne refererer til elværktøj, der kører på lysnettet (med netkabel) samt batteridrevet værktøj (uden netkabel).

1) SIKKERHED PÅ ARBEJDSPLADSEN

- Sørg for, at arbejdsområdet er rent og ryddeligt.** Uorden eller uoplyste arbejdsområder øger faren for uheld.
- Brug ikke elværktøjet i eksplosionstruede omgivelser, hvor der er brændbare væsker, gasser eller støv.** Elværktøj kan slå gnister, der kan antænde støv eller dampe.
- Sørg for, at andre personer og ikke mindst børn holdes væk fra arbejdsområdet, når el-værktøjet er**

- i brug. Hvis man distraheres, kan man miste kontrollen over elværktøjet.
- 2) **ELEKTRISK SIKKERHED**
- a) **Elværktøjs stik skal passe til kontakten. Stikket må under ingen omstændigheder ændres. Brug ikke adapterstik sammen med jordforbundet elværktøj.** Uændrede stik, der passer til kontakterne, nedsætter risikoen for elektrisk stød.
- b) **Undgå kropskontakt med jordforbundne overflader som f.eks. rør, radiatorer, komfurer og køleskabe.** Hvis din krop er jordforbundet, øges risikoen for elektrisk stød.
- c) **Elværktøjet må ikke udsættes for regn eller fugt.** Indtrængning af vand i et elværktøj øger risikoen for elektrisk stød.
- d) **Brug ikke ledningen til formål, den ikke er beregnet til. Du må aldrig bære elværktøjet i ledningen, hænge elværktøjet op i ledningen eller rykke i ledningen for at trække stikket ud af kontakten. Beskyt ledningen mod varme, olie, skarpe kanter eller maskindele, der er i bevægelse.** Beskadigede eller indviklede ledninger øger risikoen for elektrisk stød.
- e) **Hvis elværktøjet benyttes i det fri, må der kun benyttes en forlængerledning, der er egnet til udendørs brug.** Brug af forlængerledning til udendørs brug nedsætter risikoen for elektrisk stød.
- f) **Hvis det ikke kan undgås at bruge elværktøjet i fugtige omgivelser, skal der bruges et HFI-relæ.** Brug af et HFI-relæ reducerer risikoen for at få elektrisk stød.
- 3) **PERSONLIG SIKKERHED**
- a) **Det er vigtigt at være opmærksom, se, hvad man laver, og bruge el-værktøjet fornuftigt. Brug ikke noget el-værktøj, hvis du er træt, har nydt alkohol eller er påvirket af medikamenter eller euforiserende stoffer.** Få sekunders uopmærksomhed ved brug af el-værktøjet kan føre til alvorlige personskader.
- b) **Brug beskyttelsesudstyr og hav altid beskyttelsesbriller på.** Brug af sikkerhedsudstyr som f.eks. støvmaske, skridsikkert fodtøj, beskyttelseshjelm eller høreværn afhængig af maskintype og anvendelse nedsætter risikoen for personskader.
- c) **Undgå utilsigtet igangsætning. Kontrollér, at el-værktøjet er slukket, før du tilslutter det til strømtilførslen og/eller akkuen, løfter eller bærer det.** Undgå at bære el-værktøjet med fingeren på afbryderen og sørg for, at el-værktøjet ikke er tændt, når det sluttes til nettet, da dette øger risikoen for personskader.
- d) **Gør det til en vane altid at fjerne indstillingsværktøj eller skruenøgle, før el-værktøjet tændes.** Hvis et stykke værktøj eller en nøgle sidder i en roterende maskindel, er der risiko for personskader.
- e) **Undgå en unormal legemsposition. Sørg for at stå sikkert, mens der arbejdes, og kom ikke ud af balance.** Dermed har du bedre muligheder for at kontrollere el-værktøjet, hvis der skulle opstå uventede situationer.
- f) **Brug egnet arbejdstøj. Undgå løse beklædningsgenstande eller smykker. Hold hår og tøj væk fra dele, der bevæger sig.** Dele, der er i bevægelse, kan gribe fat i løstsiddende tøj, smykker eller langt hår.
- g) **Hvis støvudsugnings- og opsamlingsudstyr kan monteres, er det vigtigt, at dette tilsluttes og benyttes korrekt.** Brug af en støvsugning kan reducere støvmængden og dermed den fare, der er forbundet støv.
- h) **Selvom du kender værktøjet godt og er vant til at bruge det, skal du alligevel være opmærksom og overholde sikkerhedsanvisningerne.** Et øjeblik uopmærksomhed kan medføre alvorlige personskader.
- 4) **OMHYGGELIG OMGANG MED OG BRUG AF EL-VÆRKTØJ**
- a) **Undgå overbelastning af el-værktøjet. Brug altid et el-værktøj, der er beregnet til det stykke arbejde, der skal udføres.** Med det passende el-værktøj arbejder man bedst og mest sikkert inden for det angivne effektområde.
- b) **Brug ikke et el-værktøj, hvis afbryder er defekt.** Et el-værktøj, der ikke kan startes og stoppes, er farlig og skal repareres.
- c) **Træk stikket ud af stikkontakten og/eller fjern akkuen, hvis den er aftagelig, før maskinen indstilles, før skift af tilbehørsdele eller før el-værktøjet lægges til opbevaring.** Disse sikkerhedsforanstaltninger forhindrer utilsigtet start af el-værktøjet.
- d) **Opbevar ubenyttet el-værktøj uden for børns rækkevidde. Lad aldrig personer, der ikke er fortrolige med el-værktøjet eller ikke har gennemlæst disse instrukser, benytte el-værktøjet.** El-værktøj er farligt, hvis det benyttes af ukyndige personer.
- e) **Vedligehold el-værktøj og tilbehørsdele. Kontroller, om bevægelige maskindele fungerer korrekt og ikke sidder fast, og om delene er brækket eller beskadiget, således at el-værktøjets funktion påvirkes. Få beskadigede dele repareret, inden el-værktøjet tages i brug.** Mange uheld skyldes dårligt vedligeholdte el-værktøjer.
- f) **Sørg for, at skæreværktøjer er skarpe og rene.** Omhyggeligt vedligeholdte skæreværktøjer med skarpe skærekanter sætter sig ikke så hurtigt fast og er nemmere at føre.
- g) **Brug el-værktøj, tilhører, indsatsværktøj osv. iht. disse instrukser. Tag hensyn til arbejdsforholdene og det arbejde, der skal udføres.** Anvendelse af el-værktøjet til formål, som ligger uden for det fastsatte anvendelsesområde, kan føre til farlige situationer.
- h) **Hold håndtag og gribeblader tørre, rene og fri for olie og smørefedt.** Hvis håndtag og gribeblader er glatte, kan værktøjet ikke håndteres og styres sikkert, hvis der sker noget uventet.
- 5) **OMHYGGELIG OMGANG MED OG BRUG AF AKKU-VÆRKTØJER**
- a) **Oplad kun akkuer i ladeaggregater, der er anbefalet af fabrikanten.** Et ladeaggregat, der er egnet til en bestemt type akkuer, må ikke benyttes med andre akkuer - brandfare.
- b) **Brug kun de akkuer, der er beregnet til værktøjet.** Brug af andre akkuer øger risikoen for personskader og er forbundet med brandfare.
- c) **Ikke benyttede akkuer må ikke komme i berøring med kontorclips, mønter, nøgler, søm, skruer eller andre små metalgenstande, da disse kan kortslutte**

- kontakterne.** En kortslutning mellem akku-kontakterne øger risikoen for personskader i form af forbrændinger.
- d) **Hvis akkuen anvendes forkert, kan der slippe væske ud af akkuen. Undgå at komme i kontakt med denne væske. Hvis det alligevel skulle ske, skylles med vand. Søg læge, hvis væsken kommer i øjnene.** Akku-væske kan give hudirritation eller forbrændinger.
 - e) **Brug ikke akkuer eller værktøj, som er beskadiget eller modificeret.** Beskadigede eller modificerede akkuer kan opføre sig uforudsigeligt og forårsage brand, eksplosion eller fare for personskade.
 - f) **Akkuer eller værktøj må ikke udsættes for ild eller meget høje temperaturer.** Ild eller temperaturer over 130°C kan medføre eksplosion.
 - g) **Følg alle instruktioner for opladning. Akkuen må ikke oplades ved temperaturer uden for det område, der er angivet i instruktionerne.** Forkert opladning eller opladning ved temperaturer uden for det angivne område kan medføre skader på akkuen og forøge brandfaren.
- 6) SERVICE**
- a) **Sørg for, at el-værktøj kun repareres af kvalificerede fagfolk og at der kun benyttes originale reservedele.** Dermed sikres størst mulig maskinsikkerhed.
 - b) **Beskadigede akkuer må aldrig repareres.** Reparation af akkuer må kun udføres af producenten eller autoriserede reparatører.

SIKKERHEDSINSTRUKTIONER FOR BATTERIDREVT MULTIFUNKTIONSVÆRKTØJ

- **Hold elværktøjet i de isolerede gribeblader, når der udføres arbejde, hvor skæreindsatsværktøjet kan ramme skjulte ledninger** (kontakt med en spændingsførende ledning sætter også elværktøjets metaldele under spænding, hvilket fører til elektrisk stød)
- **Brug klemmer eller en anden praktisk måde til at fastgøre og støtte arbejdsemnet på en stabil platform** (hvis du holder arbejdsemnet i hånden eller mod kroppen, kan du miste kontrol over værktøjet)

GENERELT

- Dette værktøj må ikke bruges af personer under 16 år
- Undgå skader forårsaget af skruer, søm eller andre materialer i arbejdsstykket; fjern disse før De begynder at arbejde
- **Bearbejd ikke asbestholdigt materiale** (asbest er kræftfremkaldende)
- Fjern batterier fra værktøjet, før du foretager justeringer på værktøjet eller udskifter tilbehør
- Ved arbejde hav altid et solidt greb på værktøjet med begge hænder og sørg for at stå sikkert
- Støv fra materiale som f.eks. maling, der indeholder bly, nogle træsorter, mineraler og metal kan være skadeligt (kontakt med eller indånding af støvet kan forårsage allergiske reaktioner og/eller sygdomme i luftvejene hos den, der anvender værktøjet, eller hos omkringstående); **bær en støvmaske og arbejdt med en støvudsugningsanordning, hvor en sådan kan sluttes til**
- Visse slags støv er klassificeret som kræftfremkaldende (som f.eks. støv fra eg og bøg) især i forbindelse med tilsætningsstoffer til træbehandling; **bær en støvmaske og arbejdt med en støvudsugningsanordning, hvor en sådan kan sluttes til**
- Følg de nationale krav, hvad angår støv, for de materialer, du ønsker at arbejde med

- **Brug beskyttelseshandsker, når du skifter tilbehør** (kontakt med tilbehøret kan føre til skader)
- Efter endt arbejde skal afbryderen afbrydes og alle bevægelige dele være stoppet før værktøjet sættes til side

VED SAVNING/SKÆRING

- **Hold hænderne borte fra skæreområdet;** ræk aldrig af nogen som helst grund ned under materialet, mens der skæres
- **Anvend egnede søgeinstrumenter til at finde frem til skjulte forsyningsledninger eller kontakt det lokale forsyningselskab** (kontakt med elektriske ledninger kan føre til brand og elektrisk stød; beskadigelse af en gasledning kan føre til eksplosion; brud på et vandrør kan føre til materiel skade eller elektrisk stød)
- Brug aldrig savklinger der er sløve, skæve eller på anden måde beskadigede

VED SLIBNING

- **Brug kun værktøjet til tørslibning** (hvis der trænger vand ind i værktøjet øges risikoen for elektrisk stød)
- Undgå berøring med det løbende slibepapir
- Slidte, revnede eller hårdt angrebne slibepapir må ikke benyttes
- Ved slibning af metal, opstår gnister; brug ikke støvsuger og hold andre personer, såvel som brandbare materialer væk fra arbejdsstedet

BATTERIERNE

- **Det medfølgende batteri er delvist opladet** (for at sikre fuld kapacitet af batteriet skal det oplades helt i batteriopladeren, inden du anvender dit elværktøj første gang)
- **Anvend kun de følgende batterier og batteriopladere, der leveres med dette værktøj**
 - SKIL-batteri: BR1*31****
 - SKIL-oplader: CR1*31****
- Brug ikke batteriet, hvis det er beskadiget. Det skal udskiftes
- Adskil ikke batteriet
- Udsæt ikke værktøjet/batteriet for regn
- Tilladt omgivelsestemperatur (værktøj/oplader/batteri):
 - ved opladning 4...-40°C
 - ved drift -20...+50°C
 - ved opbevaring -20...+50°C

FORKLARING TIL SYMBOLERNE PÅ VÆRKTØJET/BATTERI

- ③ Dette værktøj kan anvendes med det mest almindeligt tilgængelige multiværktøjstilbehør, herunder eksisterende OIS- og Starlock-basistilbehør
- ④ Læs instruktionen inden brugen
- ⑤ Batterier vil eksplodere, hvis de kommes i ild, så forsøg aldrig at brænde batteriet
- ⑥ Opbevar værktøj/opladeren/batteriet i et lokale, hvor temperaturen ikke overstiger 50°C
- ⑦ Elværktøj og batterier må ikke bortskaffes som almindeligt affald

BETJENING

- Opladning af batteriet
- **! Læs sikkerhedsadvarslerne og -anvisningerne, der følger med opladeren**
- Afmontering/montering af batteriet ②
- Indikator for batteritilstand ③
 - tryk på indikatorknappen for batteriniveau M for at se batteriets aktuelle status ③a

- ! batteriet er fladt, hvis den nederste statusindikator begynder at blinke, efter at der er blevet trykket på M ⑧b
- ! hvis 2 niveauer for batteriindikatoren begynder at blinke, efter at der er blevet trykket på knappen M ⑧c, er batteriet ikke i det temperaturområde, hvor betjening er tilladt
- LED-lys L ⑨
 - LED-lyset tændes automatisk, når Tænd/Sluk-kontakten aktiveres
 - ! når LED-lyset begynder at blinke, aktiveres batteribeskyttelse (se nedenfor)
- Batteribeskyttelse
 - Værktøjet slukker med det samme eller forhindrer at blive startet, hvis
 - belastningen er for stor --> fjern belastning og genstart
 - batteritemperaturen ikke er inden for det tilladte driftstemperaturområde fra -20 til +50 °C --> 2 niveauer for batteriindikatoren begynder at blinke, efter at der er blevet trykket på knappen M ⑧c; vent, indtil batteriet er vendt tilbage til det tilladte driftstemperaturområde
 - batteriet er næsten tomt (for at beskytte mod dyb afladning) --> et lavt batteriniveau eller et lavt batteriniveau, hvor indikatoren blinker ⑧b vises af batteriindikatoren, hvis der trykkes på knappen M; oplad batteri
 - ! undlad at betjene kontakten, efter at der er slukket for værktøjet, da det kan beskadige batteriet
- Udveksling af tilbehør ⑩
 - ! fjern batteriet fra værktøjet
 - afmonter/monter det ønskede tilbehør som illustreret
 - kontrollér, at tilbehørets åbninger går ned i værktøjshovedets flige (enhver mulig fastlåsningsposition)
 - monter tilbehøret med den nedtrykte midte pegende nedad
 - **kontroller, om tilbehøret er fastspændt korrekt** (ukorrekt tilbehør eller tilbehør, der ikke er fastspændt korrekt, kan løse sig under betjening og udgøre en fare)
- Støvsugning ⑪
 - ! fjern batteriet fra værktøjet
 - benyt kun støvsugeradapteren J, når der arbejdes med slibeklods E
 - monter støvsugeradapter J som angivet
 - monter støvsugeren
 - ! brug ikke støvsugningsanordning/støvsuger når metal slibes
 - rengør støvsugeradapteren J regelmæssigt for optimal støvsugning
 - Påsætning af slibepapir ⑫
 - bank støvet ud af VELCRO-materialet på slibeklodsens E, før slibepapiret monteres
 - monter VELCRO-slibepapiret H som vist på illustrationen
 - ! støvsugning kræver perforeret slibepapir
 - ! perforeringen i slibepapiret skal passe til perforeringen i sålen
 - ! skift slibepapiret i tide
 - ! anvend altid værktøjet med hele VELCRO-overfladen dækket med slibepapir
- Tænd/sluk
 - start/afbryd værktøjet ved at skubbe afbryderen C ② i "I"/"O" stilling

- ! lad værktøjet køre på fuld kraft for tilbehøret berører arbejdsmenet
- ! før der slukkes for værktøjet, skal det løftes op fra arbejdsmenet

- Justering af arbejdhastighed ⑬
 - med hjul D kan den krævede oscillerende frekvens justeres fra lav (1) til høj (6) (også mens værktøjet kører)
 - den optimale hastighed afhænger af materialet og kan bestemmes ud fra praktiske forsøg
- Håndtering og styring af værktøjet
 - ! under arbejde, hold altid om værktøjet på de grå markerede grebsområde(r) ⑭
 - hold ventilationshullerne K utildækkede
 - anvend ikke for meget tryk på værktøjet (for stort et pres vil forårsage for kraftig varme, og det kan forkorte tilbehørets levetid)
- Dybdejusteringstilbehør (DEPTH STOP) (medfølger ikke som standard) ⑮

GODE RÅD

- For at opnå optimale resultater på forskellige materialer benyttes tabellen ⑯ som hjælp til at finde det rigtige tilbehør (tilbehør ikke inkluderet som standard)
- Se yderligere oplysninger på www.skil.com

VEDLIGEHODELSE/SERVICE

- Dette værktøj er ikke beregnet til professionelt brug
- Hold altid værktøjet rent (især ventilationshuller K ②)
- ! tag batteriet ud af værktøjet inden rengøring
- Skulle elværktøjet trods omhyggelig fabrikation og kontrol skulle holde op med at fungere, skal reparationen udføres af et autoriseret serviceværksted for SKIL-elektroværktøj
 - send det ikke adskilte værktøj sammen med et købsbevis til forhandleren eller nærmeste SKIL-serviceværksted (adresser og reservedelstegning af værktøjet findes på www.skil.com)
- Husk, at beskadigelse som følge af overbelastning eller forkert håndtering af værktøjet ikke er omfattet af garantien (se www.skil.com vedrørende SKIL-garantibetingelserne, eller spørg din forhandler)

MILJØ

- Elværktøj, batterier, tilbehør og emballage må ikke bortskaffes som almindeligt affald (kun for EU-lande)
 - i henhold til det europæiske direktiv 2012/19/EF om bortskaffelse af elektriske og elektroniske produkter og gældende national lovgivning, skal brugt elværktøj indsamles separat og bortskaffes på en måde, der skåner miljøet mest muligt
 - symbolet ⑦ erindrer dig om dette, når udskiftning er nødvendig
 - ! beskyt batteri terminaler med bredt tape for at undgå kortslutning

STØJ / VIBRATION

- Målt i henhold til EN 62841 er lydtryksniveauet for dette værktøj 86,5 dB(A) og lydoffektniveauet 97,5 dB(A) (usikkerhed K = 3 dB), og vibrationen * (triax vector sum; usikkerhed K = 1.5 m/s²)
 - * ved pudsning < 2,5 m/s²

- Vibrasjonsnivået er målt i henhold til den standardiserte test som anført i EN 62841. Det kan benyttes til å sammenligne to stykker værktøy og som en foreløpig bedømmelse av utsættelsen for vibrasjoner, når verktøyet anvendes til de nævnte form
 - anvendes verktøyet til andre formål eller med andet eller dårligt vedlikeholdt tilbehør, kan dette **øge** utsættelsesnivået betydeligt
 - de tidsrum, hvor verktøyet er slukket, eller hvor det kører uden reelt at udføre noget arbejde, kan **reducere** utsættelsesnivået betydeligt
- ! **beskyt dig selv imod virkningerne af vibrationer ved at vedligeholde verktøjet og dets tilbehør, ved at holde dine hænder varme og ved at organisere dine arbejdsmønstre**

N

Børsteløs og trådløs flerfunksjonsverktøy

3650

INTRODUKSJON

- Dette verktøyet er beregnet på å sage og kutte tre, plast, gips og myke veggfliser så vel som for tørr sliping og skraping av mindre flater
- Det er spesielt egnet til innstikksaging og arbeid inntil kanter
- Dette verktøyet er ikke beregnet på profesjonell bruk
- Dette verktøyet tar de vanligste multi-verktøytilbehør, inkludert eksisterende OIS- og Starlock-tilbehør ③
- Les og ta vare på denne brukerveiledningen ④

TEKNISKE DATA ①

VERKTØYELEMENTER ②

- A Klempspak
- B Klemskrue med mutter
- C Av/på bryter
- D Hjul til hastighetsvalg
- E Slipepute
- F Segmentsagblad
- G Spalteknutt-sagblad
- H Pussepapir
- J Støvsugeradapter
- K Ventilasjonsåpninger
- L LED-Lampe
- M Batterinivåindikator
- N Dybdejusteringstilbehør *

* IKKE INKLUDERT SOM STANDARD

SIKKERHET

GENERELLE ADVARSLER FOR ELEKTROVERKTØY

⚠ ADVARSEL Les alle sikkerhetsadvarslar, instruksjoner, illustrasjoner og spesifikasjoner som følger med dette elektroverktøyet. Hvis du unnlater å følge noen av instruksjonene som er listet opp ovenfor, kan det føre til elektrisk støt, brann og/eller alvorlige personskader.

Ta godt vare på alle advarslene og informasjonene.

Det nedenstående anvendte uttrykket "elektroverktøy" gjelder for strømlederne (med ledning) og batteridrevne elektroverktøy (uten ledning).

- 1) **SIKKERHET PÅ ARBEIDSPLASSEN**
 - a) **Hold arbeidsområdet rent og ryddig.** Rotete arbeidsområder eller arbeidsområder uten lys kan føre til ulykker.
 - b) **Ikke arbeid med elektroverktøyet i eksplosjonsfarlige atmosfærer – der det befinner seg brennbare væsker, gass eller støv.** Elektroverktøyet lager gnister som kan antenne støv eller damper.
 - c) **Hold barn og andre personer unna når elektroverktøyet brukes.** Hvis du blir forstyrret under arbeidet, kan du miste kontrollen over elektroverktøyet.
- 2) **ELEKTRISK SIKKERHET**
 - a) **Støpselet til elektroverktøyet må passe inn i stikkkontakten. Støpselet må ikke forandres på noen som helst måte. Ikke bruk adapterstøpsler sammen med jordede maskiner.** Bruk av støpsler som ikke er forandret på og passende stikkontakter reduserer risikoen for elektriske støt.
 - b) **Unngå kroppskontakt med jordede overflater slik som rør, ovner, komfyrer og kjøleskap.** Det er større fare ved elektriske støt hvis kroppen din er jordet.
 - c) **Hold elektroverktøyet unna regn eller fuktighet.** Dersom det kommer vann i et elektroverktøy, øker risikoen for elektriske støt.
 - d) **Ikke bruk ledningen til andre formål, f.eks. til å bære elektroverktøyet, henge den opp eller trekke den ut av stikkkontakten. Hold ledningen unna varme, olje, skarpe kanter eller maskindeler som beveger seg.** Med skadede eller opphopede ledninger øker risikoen for elektriske støt.
 - e) **Når du arbeider utendørs med et elektroverktøy, må du kun bruke en skjøteledning som er godkjent til utendørs bruk.** Når du bruker en skjøteledning som er egnet for utendørs bruk, reduseres risikoen for elektriske støt.
 - f) **Hvis det ikke kan unngås å bruke elektroverktøyet i fuktige omgivelser, må du bruke en jordfeilbryter.** Bruk av en jordfeilbryter reduserer risikoen for elektriske støt.
- 3) **PERSONSIKKERHET**
 - a) **Vær oppmerksom, pass på hva du gjør, gå fornuftig frem når du arbeider med et elektroverktøy. Ikke bruk elektroverktøyet når du er trett eller er påvirket av narkotika, alkohol eller medikamenter.** Et øyeblikks uoppmerksomhet ved bruk av elektroverktøyet kan føre til alvorlige skader.
 - b) **Bruk personlig verneutstyr og husk alltid å bruke vernebriller.** Bruk av personlig sikkerhetsutstyr som støvmaske, sklifaste arbeidssko, hjelm eller hørselvern – avhengig av type og bruk av elektroverktøyet – reduserer risikoen for skader.
 - c) **Unngå å starte verktøyet ved en feiltagelse. Forviss deg om at elektroverktøyet er slått av før du kobler det til strømmen og/eller batteriet, løfter det opp eller bærer det.** Hvis du holder fingeren på bryteren når du bærer elektroverktøyet eller kobler elektroverktøyet til strømmen i innkoblet tilstand, kan dette føre til uhell.

- d) **Fjern innstillingsverktøy eller skrunøkler før du slår på elektroverktøyet.** Et verktøy eller en nøkkel som befinner seg i en roterende maskindel, kan føre til skader.
- e) **Ikke overvurder deg selv. Sørg for å stå stødig og i balanse.** Dermed kan du kontrollere elektroverktøyet bedre i uventede situasjoner.
- f) **Bruk alltid egnede klær. Ikke bruk vide klær eller smykker. Hold hår og klær unna deler som beveger seg.** Løstsittende tøy, smykker eller langt hår kan komme inn i deler som beveger seg.
- g) **Hvis det kan monteres støvavsug- og oppsamlingsinnretninger, må du forvise deg om at disse er tilkoblet og brukes på korrekt måte.** Bruk av et støvavsug reduserer faren på grunn av støv.
- h) **Selv når du er blitt vant til verktøyet, må du ikke bli sløv og ignorere sikkerhetsreglene for verktøyet.** En uforsiktig handling kan forårsake alvorlig personskade i løpet av et brøkdels sekund.
- 4) AKTSOM HÅNTERING OG BRUK AV ELEKTROVERKTØY**
- a) **Ikke overbelast elektroverktøyet. Bruk et elektroverktøy som er beregnet til den type arbeid du vil utføre.** Med et passende elektroverktøy arbeider du bedre og sikrere i det angitte effektområdet.
- b) **Ikke bruk elektroverktøy med defekt på-/avbryter.** Et elektroverktøy som ikke lenger kan slås av eller på, er farlig og må repareres.
- c) **Trekk støpselet ut av stikkkontakten og/eller fjern batteriet (hvis demonterbart) før du utfører innstillinger på elektroverktøyet, skifter tilbehørsdeler eller legger elektroverktøyet bort.** Disse tiltakene forhindrer en utilsikket startung av elektroverktøyet.
- d) **Elektroverktøy som ikke er i bruk må oppbevares utilgjengelig for barn. Ikke la elektroverktøyet brukes av personer som ikke er fortrolig med dette eller ikke har lest disse anvisningene.** Elektroverktøy er farlige når de brukes av uerfarne personer.
- e) **Vær nøye med vedlikeholdet av elektroverktøyet og tilbehøret. Kontroller om bevegelige maskindeler fungerer feilfritt og ikke klemmes fast, og om deler er brukket eller skadet, slik at dette innvirker på elektroverktøyet funksjon. La skadede deler repareres for elektroverktøyet brukes.** Dårlig vedlikeholdte elektroverktøy er årsaken til mange uhell.
- f) **Hold skjæreverktøyene skarpe og rene.** Godt stelte skjæreverktøy med skarpe skjær setter seg ikke så ofte fast og er lettere å føre.
- g) **Bruk elektroverktøy, tilbehør, verktøy osv. i henhold til disse anvisningene. Ta hensyn til arbeidsforholdene og arbeidet som skal utføres.** Bruk av elektroverktøy til andre formål enn det som er angitt kan føre til farlige situasjoner.
- h) **Hold håndtak og gripeflater tørre, rene og uten olje eller fett.** Glatte håndtak og gripeflater hindrer sikker håndtering og styring av verktøyet i uventede situasjoner.
- 5) AKTSOM HÅNTERING OG BRUK AV BATTERIDREVNE VERKTØY**
- a) **Lad batteriet kun opp i ladere som er anbefalt av produsenten.** Det oppstår brannfare hvis en lader som er egnet til en bestemt type batterier, brukes med andre batterier.
- b) **Bruk derfor kun riktig type batterier for elektroverktøyene.** Bruk av andre batterier kan medføre skader og brannfare.
- c) **Hold batteriet som ikke er i bruk unna binders, mynter, nøkler, spikre, skruer eller andre mindre metallgjenstander, som kan lage en forbindelse mellom kontaktene.** En kortslutning mellom batterikontaktene kan føre til forbrenninger eller brann.
- d) **Ved gal bruk kan det lekke væske ut av batteriet. Unngå kontakt med denne væsken. Ved tilfeldig kontakt må det skylles med vann. Hvis det kommer væske i øynene, må du i tillegg oppsøke en lege.** Batterivæske som renner ut kan føre til irritasjoner på huden eller forbrenninger.
- e) **Ikke bruk batterier eller verktøyet hvis det er skadet eller modifisert.** Ødelagte eller modifiserte batterier kan oppføre seg uforutsigbart, noe som kan føre til brann, eksplosjon eller fare for personskade.
- f) **Ikke utsett batteriet eller verktøyet for åpen ild eller for høye temperaturer.** Eksponering for ild eller temperaturer over 130 °C kan forårsake eksplosjon.
- g) **Følg alle ladeinstruksjoner, og ikke lad batteriet eller verktøyet utenfor temperaturområdet som er spesifisert i bruksanvisningen.** Feil lading eller lading ved temperaturer utenfor det spesifiserte temperaturområdet, kan skade batteriet og øke brannfaren.
- 6) SERVICE**
- a) **Maskinen din skal alltid kun repareres av kvalifisert fagpersonale og kun med originale reservedeler.** Slik opprettholdes elektroverktøyet sikkerhet.
- b) **Ikke utsett service på ødelagte batterier.** Service på batterier skal alltid utføres av produsenten eller godkjente forhandlere.

SIKKERHETSINSTRUKSJONER FOR BATTERIDREVNE MULTIVERKTØY

- **Ta kun tak i elektroverktøyet på de isolerte gripeflatene når de utfører jobber hvor kuttetilbehøret kan komme i kontakt med skjulte ledninger** (hvis en strømførende ledning kuttes, kan metalldele på elektroverktøyet bli strømførende og brukeren kan få elektrisk støt)
- **Bruk klemmer eller andre praktiske måter å sikre og støtte arbeidsstykket til et stødig underlag** (å holde arbeidsstykket i hånden eller mot kroppen gjør det ustødig og kan føre til tap av kontroll)

GENERELL

- Verktøyet må ikke brukes av personer under 16 år
- Unngå skade pga. skruer, spiker eller andre elementer i arbeidsstykket; fjernes før man starter jobben
- **Ikke bearbeid asbestholdig material** (asbest kan fremkalle kreft)
- Fjern batteriet fra verktøyet før du foretar noen justeringer eller endrer tilbehør
- Under arbeid hold alltid verktøyet fast med begge hender og pass på å stå stødig
- Støv fra materialer som blyholdig maling, visse tresorter, mineraler og metall kan være skadelig (kontakt med eller inhalering av støv kan gi allergiske reaksjoner og/eller sykdommer i åndedretsorganene for brukeren eller personer i nærheten); **bruk støvmaske og arbeid med støvfjerningsutstyr når det er mulig**

- Visse typer støv er klassifisert som kreftfremkallende (som f.eks. støv fra eik og bøk), spesielt sammen med tilsetningsstoffer for trebehandling; **bruk støvmaske og arbeid med støvfjerningsutstyr når det er mulig**
- Følg de nasjonale krav, når det gjelder støv for de materialer du ønsker å arbeide med
- **Bruk vernehansker når du skifter tilbehør** (kontakt med tilbehøret kan føre til skader)
- Når du setter bort verktøyet må bryteren slås av, bevegelige deler må være helt stoppet

NÅR DU SAGER/KUTTER

- **Hold hendene unna sagområdet**; du må aldri ha hendene under materialet når du kutter
- **Bruk egnede detektorer til å finne skjulte strøm-/gass-/vannledninger, eller spør hos det lokale el-/gass-/vannverket** (kontakt med elektriske ledninger kan medføre brann og elektrisk støt; skader på en gassledning kan føre til eksplosjon; inntrengning i en vannledning forårsaker materielle skader og kan medføre elektriske støt)
- Bruk aldri skjevent, deformert eller sløvt sagblad

NÅR DU PUSSE

- **Bruk verktøyet bare for tørrsliping** (når vannet trenges inn i verktøyet, økes risikoen for elektrisk støt)
- Ikke berør slipepapiret når det er igang
- Slitte, revnet eller tiltettet slipepapir må ikke brukes videre
- Ved sliping av metall vil det gnistre; bruk ikke støvsuger og hold andre personer og brennbart materiale unna arbeidsområdet

BATTERIENE

- **Batteriet leveres delvis ladet** (for å få batteriets fulle kapasitet, lad batteriet helt opp ved bruk av batteriladeren før verktøyet tas i bruk for første gang)
- **Bare bruk følgende batterier og ladere med dette verktøyet**
 - SKIL-batteri: BR1*31****
 - SKIL-lader: CR1*31****
- Bruk ikke batteriet når det er skadet; det må byttes ut umiddelbart
- Ikke demonter batteriet
- Ikke utsett verktøyet/batteriet for regn
- Tillatt omgivelsestemperatur (verktøy/lader/batteri):
 - ved lading 4...40 °C
 - ved drift -20...+50 °C
 - ved lagring -20...+50 °C

FORKLARING AV SYMBOLER PÅ VERKTØY/BATTERI

- ③ Dette verktøyet tar de vanligste multi-verktøyttilbehør, inkludert eksisterende OIS and Starlock basic-tilbehør
- ④ Les instruksjonsboken før bruk
- ⑤ Batterier vil eksplodere hvis de blir brent, derfor må man aldri brenne batteriene
- ⑥ Oppbevar verktøy/lader/batteriet på et sted der temperaturen ikke overstiger 50 °C
- ⑦ Kast aldri elektroverktøy og batterier i husholdningsavfallet

BRUK

- Batteriladning
 - ! les sikkerhetsadvarslene og instruksene levert med laderen
- Fjerne/installere batteriet ②
- Indikator for batteristatus ⑧
 - trykk inn indikatorknappen for batteriladning M for å se innværende batteriladningen ⑧a

! hvis indikatoren for batteriladning begynner å blinke etter du har trykket på knappen M ⑧b, er batteriet tomt

! hvis 2 indikatorer for batteriladning begynner å blinke etter du har trykket på knappen M ⑧c, er batteriet ikke innenfor tillatt driftstemperaturområdet

- LED-Lampe L ⑨
 - LED-lyset tennes automatisk ved aktivering av av/på-bryteren
 - ! når LED-lyset begynner å blinke, er batterivernet aktivert (se nedenfor)
- Batterivern
 - Verktøyet blir plutselig slått av eller blir forhindret fra å startes når
 - belastningen er for høy --> fjern belastningen og start på nytt
 - batteriets temperatur ikke er innenfor tillatt driftstemperaturområdet som er -20 til 50°C --> 2 indikatoren for batteriladning begynner å blinke etter du har trykket på knappen M ⑧c; vent til batteriet er innenfor det tillatte driftstemperaturområdet
 - batteriet er nesten tomt (for å beskytte mot full utladning) --> et lavt batterinivå eller et blinkende lavt batteri nivå ⑧b vises ved at indikatoren for batteriladning begynner å blinke etter du har trykket på knappen M; lad batteriet
 - ! ikke fortsett å skru verktøyet av og på etter at det er slått av automatisk; dette kan skade batteriet
- Bytting av tilbehør ⑩
 - ! fjern batteriet fra verktøyet
 - fjern/monter det nødvendige tilbehøret som vist
 - pass på at åpringene i tilbehøret kobles inn i klaffene på verktøhodet (alle klikk-inn-posisjoner mulig)
 - monter tilbehøret med midtpunktet som er trykt inn, vendt nedover
 - sjekk at tilbehøret sitter godt (tilbehør som er feil eller ikke godt nok festet, kan løse under bruk og føre til fare)
- Støvsuging ⑪
 - ! fjern batteriet fra verktøyet
 - bruk støvsugeradapter J bare når du arbeider med slipeputen E
 - monter støvsugeradapter J som vist
 - tilkople støvsugeren
 - ! ikke bruk støvfjerningsutstyret/støvsugeren når du pusser metall
 - rengjør støvsugeradapteren J med jevne mellomrom for optimal støvfjerning
- Montering av slipepapir ⑫
 - bank støvet ut av BORRELÅS-materialet på slipeputen E før du monterer slipeputen
 - monter VELCRO (borrelås) slipepapir H som vist
 - ! støvsugnet krever perforert slipepapir
 - ! perforeringen i slipepapiret må passe til slipesålen
 - ! bytt brukte slipepapir i tide
 - ! bruk alltid verktøyet med hele BORRELÅS-flaten tildekket med slipepapir
- Av/på
 - slå verktøyet på/av ved å skyve bryteren C ② i stilling "I"/"O"
 - ! før tilbehøret kommer i kontakt med arbeidsstykket, må verktøyet ha nådd max. hastighet

! før verktøyet slås av, løft det bort fra arbeidsstykket

- Justere driftshastigheten ⁽¹³⁾
 - med hjul D kan den nødvendige svingningsfrekvensen justeres fra lavt (1) til høyt (6) (også når verktøyet er i drift)
 - den optimale arbeidshastigheten avhenger av materialet, og kan bestemmes gjennom praktiske forsøk
- Grep og styring av verktøyet
- ! **under arbeid, hold verktøyet alltid i grått (gråe) grepsområde(r)** ⁽¹⁴⁾
 - hold ventilasjonsåpningen K utildekket
 - ikke utsett verktøyet for for stort trykk (for stort trykk vil føre til sterk varme og kan gjøre levetiden kortere på tilbehøret)
- Dybdejusteringstilbehør (DEPTH STOP) (ikke inkludert som standard) ⁽¹⁵⁾

BRUKER TIPS

- For optimale resultater på forskjellige materialer bruk tabellen ⁽¹⁶⁾ som referanse for å avgjøre det riktige tilbehøret (**tilbehør følger ikke med**)
- Se www.skil.com for mer informasjon

VEDLIKEHOLD / SERVICE

- Dette verktøyet er ikke beregnet på profesjonell bruk
- Verktøyet skal alltid holdes rent (gjelder spesielt for ventilasjonssporene K ⁽²⁾)
- ! **ta batteriet ut av verktøyet før rengjøring**
- Hvis elektroverktøyet til tross for omhyggelige produksjons- og kontrollmetoder en gang skulle svikte, må reparasjonen utføres av et autorisert serviceverksted for SKIL-elektroverktøy
 - send verktøyet i **montert** tilstand sammen med kjøpebevis til forhandleren eller nærmeste SKIL servicesenter (adresser liksom service diagram av verktøyet finner du på www.skil.com)
- Vær klar over at skade som skyldes overbelastning eller feilbehandling av verktøyet ikke dekkes av garantien (for SKIL garantibetingelser se www.skil.com eller spør din forhandler)

MILJØ

- **Kast aldri elektroverktøy, batterier, tilbehør og emballasje i husholdningsavfallet** (kun for EU-land)
 - i henhold til EU-direktiv 2012/19/EF om kasserte elektriske og elektroniske produkter og direktivets iverksetting i nasjonal rett, må elektroverktøy som ikke lenger skal brukes, samles separat og returneres til et miljøvennlig gjenvinningsanlegg
 - symbolet ⁽⁷⁾ er påtrykt som en påminnelse når utskifting er nødvendig
- ! **før batteriene kastes, tape over polene med tykk tape for å unngå kortslutning**

STØY / VIBRASJON

- Målt i samsvar med EN 62841, lydtrykksnivået til dette verktøyet er 86,5 dB(A) og lydeffektnivået er 97,5 dB(A) (usikkerhet K = 3 dB) og vibrasjonen * (triaks vektorsum usikkerhet K = 1,5 m/s²)
 - * ved pussing < 2,5 m/s²

- Vibrasjonsnivået er målt i samsvar med en standardisert test som er angitt i EN 62841; den kan brukes til å sammenligne et verktøy med et annet, og som et foreløpig overslag over eksponering for vibrasjoner ved bruk av verktøyet til de oppgavene som er nevnt
 - bruk av verktøyet til andre oppgaver, eller med annet eller mangelfullt vedlikeholdt utstyr, kan gi en vesentlig **økning** av eksponeringsnivået
 - tidsrommene når verktøyet er avslått eller når det går men ikke arbeider, kan gi en vesentlig **reduksjon** av eksponeringsnivået
- ! **beskytt deg selv mot virkningene av vibrasjoner ved å vedlikeholde verktøyet og utstyret, holde hendene varme og organisere arbeidsmåten din**

FIN

Akkukäyttöinen monitoimityökalu, harjaton

3650

ESITTELY

- Tämä työkalu on tarkoitettu puun, muovin, laastin, metallien ja pehmeiden seinä tiiltien sahaamiseen ja leikkaamiseen sekä pienten pintojen kuivahiontaan ja kaavintaan
- Se soveltuu erityisesti töihin lähellä reunoja ja tasoa sekä upotussahaukseen
- Tätä työkalua ei ole tarkoitettu ammattikäyttöön
- Tämä työkalu on yhteensopiva useimpien yleisesti saatavilla olevien monitoimityökaluille suunniteltujen lisävarusteiden kanssa, mukaan lukien nykyiset OIS- ja Starlock-lisävarusteet ⁽³⁾
- Lue ja säilytä tämä ohjekirja ⁽⁴⁾

TEKNISET TIEDOT ⁽¹⁾

LAITTEEN OSAT ⁽²⁾

- A Kiristysvipu
 - B Kiristysruuvi aluslevyllä
 - C Virtakytkin
 - D Nopeudensäätöpyörä
 - E Hiomalaippa
 - F Segmenttisahanterä
 - G Pistosahanterä
 - H Hiomapaperi
 - J Pölynimurin sovitin
 - K Ilmanvaihto-aukot
 - L Ledivalo
 - M Akun lataustilan merkkivalo
 - N Syvyysääntölisälaite *
- * EI SISÄLLY VAKIONA

TURVALLISUUS

YLEISET SÄHKÖTYÖKALUJEN TURVALLISUUTEEN LIITTYVÄT VAROITUKSET

VAROITUS: Pehedy kaikkiin tämän sähkötyökalun mukana toimitettuihin varoituksiin, ohjeisiin, kuviin ja teknisiin tietoihin. Jos kaikkia alla olevia ohjeita ei noudateta, seurauksena voi olla sähköisku, tulipalo ja/tai vakava loukkaantuminen.

Säilytä kaikki turvallisuus- ja muut ohjeet tulevaisuutta varten.

Turvallisuusohjeissa käytetty käsite "sähkötyökalu" käsittää verkkokäyttöisiä sähkötyökaluja (verkkojohdolla) ja akkukäyttöisiä sähkötyökaluja (ilman verkkojohtoa).

1) TYÖPAIKAN TURVALLISUUS

- a) **Pidä työskentelyalue puhtaana ja hyvin valaistuna.** Työpaikan epäjärjestys tai valaisemattomat työalueet voivat johtaa tapaturmiin.
- b) **Älä työskentele sähkötyökalulla räjähdyksalttiissa ympäristössä, jossa on palavaa nestettä, kaasua tai pölyä.** Sähkötyökalu muodostaa kipinöitä, jotka saattavat sytyttää pölyn tai höyryt.
- c) **Pidä lapset ja sivulliset loitolla sähkötyökalua käyttäessäsi.** Voit menettää laitteesi hallinnan, huomiosi suuntautuessa muualle.

2) SÄHKÖTURVALLISUUS

- a) **Sähkötyökalun pistotulpan tulee sopia pistorasiaan. Pistotulppaa ei saa muuttaa millään tavalla. Älä käytä mitään pistorasia-adaptoreita maadoitettujen sähkötyökalujen kanssa.** Alkuperäisessä kunnossa olevat pistotulpat ja sopivat pistorasiat vähentävät sähköiskun vaaraa.
- b) **Vältä koskettamasta maadoitettuja pintoja, kuten putkia, pattereita, liesiä tai jääkaappeja.** Sähköiskun vaara kasvaa, jos kehosi on maadoitettu.
- c) **Älä aseta sähkötyökalua alttiiksi sateelle tai kosteudelle.** Veden tunkeutuminen sähkötyökalun sisään kasvattaa sähköiskun riskiä.
- d) **Älä käytä verkkojohtoa väärin. Älä käytä sitä sähkötyökalun kantamiseen, vetämiseen tai pistotulpan irrottamiseen pistorasiasta. Pidä johto loitolla kuumuudesta, öljystä, terävistä reunoista ja liikkuvista osista.** Vahingoittuneet tai sotkeutuneet johdot kasvattavat sähköiskun vaaraa.
- e) **Käyttäessäsi sähkötyökalua ulkona, käytä ainoastaan ulkokäyttöön soveltuvaa jatkojohtoa.** Ulkokäyttöön soveltuvan jatkojohdon käyttö pienentää sähköiskun vaaraa.
- f) **Jos sähkötyökalun käyttö kosteassa ympäristössä ei ole välttävissä, tulee käyttää maavuotokatkaisijaa.** Maavuotokatkaisijan käyttö vähentää sähköiskun vaaraa.

3) HENKILÖTURVALLISUUS

- a) **Ole valpas, kiinnitä huomiota työskentelyysi ja noudata tervettä järkeä sähkötyökalua käyttäessäsi. Älä käytä sähkötyökalua, jos olet väsynyt tai huumeiden, alkoholin tahi lääkkeiden vaikutuksen alaisena.** Hetken tarkkaamattomuus sähkötyökalua käytettäessä, saattaa johtaa vakavaan loukkaantumiseen.
- b) **Käytä suojavarusteita. Käytä aina suojalaseja.** Henkilökohtaisen suojavarustuksen käyttö, kuten pölynaamarin, luistamattomien turvakengien, suojakypärän tai kuulonsuojaimien, riippuen sähkötyökalun lajista ja käyttötavasta, vähentää loukkaantumisriskiä.
- c) **Vältä tahatonta käynnistämistä. Varmista, että sähkötyökalu on poiskytkettynä, ennen kuin liität sen sähköverkkoon ja/tai liität akun, otat sen käteen tai kannat sitä.** Jos kannat sähkötyökalua

sormi käynnistyskytkimellä tai kytket sähkötyökalun pistotulpan pistorasiaan, käynnistyskytkimen ollessa käyntiasennossa, altistat itsesi onnettomuuksille.

- d) **Poista kaikki säätötyökalut ja ruuvitalat, ennen kuin käynnistät sähkötyökalun.** Työkalu tai avain, joka sijaitsee laitteen pyörivässä osassa, saattaa johtaa loukkaantumiseen.
 - e) **Älä yliarvioi itseäsi. Huolehdi aina tukevasta seisoma-asennosta ja tasapainosta.** Täten voit paremmin hallita sähkötyökalua odottamattomissa tilanteissa.
 - f) **Käytä tarkoitukseen soveltuvia vaatteita. Älä käytä löysiä työvaatteita tai koruja. Pidä hiukset ja vaatteet poissa liikkuvien osien ulottuvilta.** Väljät vaatteet, korut ja pitkät hiukset voivat takertua liikkuviin osiin.
 - g) **Jos pölynimu- ja keräilylaitteita voidaan asentaa, tulee sinun tarkistaa, että ne on liitetty ja että ne käytetään oikealla tavalla.** Pölynimulaitteiston käyttö vähentää pölyn aiheuttamia vaaroja.
 - h) **Työskentele keskittyneesti ja noudata aina turvallisuusmääräyksiä.** Hetkellinenkin huolimattomuus voi aiheuttaa vakavia vammoja.
- ### 4) SÄHKÖTYÖKALUJEN KÄYTTÖ JA HOITO
- a) **Älä ylikuormita laitetta. Käytä kyseiseen työhön tarkoitettua sähkötyökalua.** Sopivaa sähkötyökalua käyttäen työskentelet paremmin ja varmemmin tehoalueella, jolle sähkötyökalu on tarkoitettu.
 - b) **Älä käytä sähkötyökalua, jota ei voida käynnistää ja pysäyttää käynnistyskytkimestä.** Sähkötyökalu, jota ei enää voida käynnistää ja pysäyttää käynnistyskytkimellä, on vaarallinen ja se täytyy korjata.
 - c) **Irrota pistotulppa pistorasiasta ja/tai irrota akku (jos irrotettava) sähkötyökalusta, ennen kuin suoritat säätöjä, vaihdat tarvikkeita tai viet sähkötyökalun varastoon.** Nämä turvatoimenpiteet pienentävät sähkötyökalun tahattoman käynnistysriskin.
 - d) **Säilytä sähkötyökalut poissa lasten ulottuvilta, kun niitä ei käytetä. Älä anna sellaisten henkilöiden käyttää sähkötyökalua, jotka eivät tunne sitä tai jotka eivät ole lukeneet tätä käyttöohjetta.** Sähkötyökalut ovat vaarallisia, jos niitä käyttävät kokemattomat henkilöt.
 - e) **Pidä sähkötyökalut ja tarvikkeet hyvässä kunnossa. Tarkista, että liikkuvat osat toimivat moitteettomasti, eivätkä ole puristuksessa sekä, että siinä ei ole murtuneita tai vahingoittuneita osia, jotka saattaisivat vaikuttaa haitallisesti sähkötyökalun toimintaan. Anna korjattua mahdolliset viat ennen käyttöönottoa.** Monen tapaturman syyt löytyvät huonosti huolletuista laitteista.
 - f) **Pidä leikkausterät terävinä ja puhtaina.** Huolellisesti hoidetut leikkaustyökalut, joiden leikkausreunat ovat teräviä, eivät tartu helposti kiinni ja niitä on helpompi hallita.
 - g) **Käytä sähkötyökaluja, tarvikkeita, vaihtotyökaluja jne. näiden ohjeiden mukaisesti. Ota tällöin huomioon työolosuhteet ja suorittava toimenpide.** Sähkötyökalun käyttö muuhun kuin sille määrättyyn käyttöön, saattaa johtaa vaarallisiin tilanteisiin.
 - h) **Pidä kahvat ja kädensijat kuivina ja puhtaina (öljytöminä ja rasvatöminä).** Jos kahvat ja kädensijat ovat liukkaita, et pysty ylläpitävissä tilanteissa ohjaamaan ja hallitsemaan työkalua turvallisesti.

5) AKKUKÄYTTÖISTEN SÄHKÖTYÖKALUJEN KÄYTTÖ JA HOITO

- Lataa akku vain valmistajan määräämässä latauslaitteessa.** Latauslaite, joka soveltuu määrätyn tyyppiselle akulle, saattaa muodostaa tulipalovaaran erilaista akkua ladattaessa.
 - Käytä sähkötyökalussa ainoastaan kyseiseen sähkötyökaluun tarkoitettua akkua.** Jonkun muun akun käyttö saattaa johtaa loukkaantumiseen ja tulipaloon.
 - Pidä irrallista akkua loitolla metalliesineistä, kuten paperinliittimistä, kolikoista, avaimista, nauloista, ruuveista tai muista pienistä metalliesineistä, jotka voivat oikosulkea akun koskettimet.** Akkukoskettimien välinen oikosulku saattaa aiheuttaa palovammoja tai johtaa tulipaloon.
 - Väärästä käytöstä johtuen saattaa akusta vuotaa nestettä, jota ei tule koskettaa. Jos nestettä vahingossa joutuu iholle, huuhtelee kosketuskohta vedellä. Jos nestettä pääsee silmiin, tarvitaan tämän lisäksi lääkärin apua.** Akusta vuotava neste saattaa aiheuttaa ärsytystä ja palovammoja.
 - Älä käytä akkua tai työkalua, joka on vioittunut tai johon on tehty muutoksia.** Jos akut ovat vioittuneet tai niihin on tehty muutoksia, ne voivat toimia ennalta arvaamattomasti ja aiheuttaa tulipalon, räjähdyksen tai loukkaantumisvaaran.
 - Älä altista akkua tai työkalua tulelle tai äärimmäisille lämpötiloille.** Tullelle tai yli 130°C asteen lämpötilalle altistaminen saattaa aiheuttaa räjähdyksen.
 - Noudata latausohjeita ja lataa akku tai työkalu ohjeenmukaisen lämpötila-alueen rajoissa.** Lataaminen virheellisesti tai ohjeiden vastaisessa lämpötilassa saattaa vaurioittaa akkua ja lisätä palovaaraa.
- ## 6) HUOLTO
- Anna koulutettujen ammattihenkilöiden korjata sähkötyökalusi ja hyväksy korjauksiin vain alkuperäisiä varaosia.** Täten varmistat, että sähkötyökalu säilyy turvallisena.
 - Älä missään tapauksessa yritä itse korjata vaurioituneita akkuja.** Akkuja saa korjata vain valmistaja tai valtuutettu huoltopiste.

TURVAOHJEET AKKUKÄYTTÖISILLE MONITOIMITYÖKALUILLE

- Tartu sähkötyökaluun ainoastaan eristetyistä pinnoista, tehdessäsi työtä, jossa vaihtotyökalu saattaisi osua piilossa olevaan sähköjohtoon** (kosketus jännitteeseen johtoon voi saattaa sähkötyökalun metalliosat jännitteiseksi ja johtaa sähköiskuun)
- Tue ystävällisesti kappale tukevaan tasoon puristimilla tai muulla käytännöllisellä tavalla** (kappaleen pitäminen käsin tai kehoa vasten on epävaakaata ja voi aiheuttaa hallinnan menetyksen)

YLEISTÄ

- Tätä työkalua saavat käyttää vain 16 vuotta täyttäneet henkilöt
- Vältä vaaralliset vahingot, jotka voivat aiheutua nauloista, ruuveista tai muista aineista työstettävässä materiaalisissa; poista ne ennen työskentelyn aloittamista

- Älä koskaan työstä asbestipitoista ainetta** (asbestia pidetään karsinogeenisena)
- Irrota akku työkalusta ennen säätöjen tekemistä tai tarvikkeiden vaihtamista
- Pidä käytössä laitteesta tukevasti kiinni molemmilla käsillä ja asetaudu tukevaan asentoon
- Materiaaleista, kuten lyijypitoinen maali, jotkut puulajit, mineraalit ja metalli, tuleva pöly voi olla vahingollista** (kosketuksiin joutuminen pölyn kanssa tai sen sisään hengittäminen voi aiheuttaa käyttäjälle tai sivustakatsojille allergiareaktioita ja/tai hengitysvaivoja); **käytä pölynaamaria ja työskentele pölynpoistolaitteen kanssa, kun sellainen on liitettävissä**
- Tietynyyppiset pölyt on luokiteltu karsinogeenisiksi (kuten tammi- ja pyökkipöly) erityisesti puun käsittelyyn käytettävien lisäaineiden yhteydessä; **käytä pölynaamaria ja työskentele pölynpoistolaitteen kanssa, kun sellainen on liitettävissä**
- Noudata maakohtaisia pölyyn liittyviä sääntöjä
- Käytä suojakäsineitä varusteita vaihtaessasi** (varusteeseen koskettamisesta voi seurata loukkaantumisia)
- Kun panet koneen pois, sammuta moottori ja varmista, että kaikki liikkuvat osat ovat pysähtyneet

KUN SAHAAT/LEIKKAAT

- Pidä kädet poissa leikkuualueelta;** älä koskaan kurkotta leikkattaessa mistään syystä materiaalin alapuolelle
- Käytä sopivia etsintälaitteita piilossa olevien syöttöjohtojen paikallistamiseksi, tai käänny paikallisen jakeluyltön puoleen** (kosketus sähköjohtoon saattaa johtaa tulipaloon ja sähköiskuun; kaasuputken vahingoittaminen saattaa johtaa räjähdykseen; vesijohtoon tunkeutuminen aiheuttaa aineellista vahinkoa tai saattaa johtaa sähköiskuun)
- Älä käytä rikkiinäistä, tylsää tai vääntynyttä sahanterää

KUN HIOT

- Käytä työkalua vain kuivahiontaan** (veden pääsy työkalun sisään kasvattaa sähköiskuriskiä)
- Älä kosketa liikkuvaa hiomapaperiin
- Älä jatka kuluneiden, repeytyneiden tai voimakkaasti tukkeutuneiden paperin käyttämistä
- Metallia hiontaessa syntyy kipinöitä; älä käytä pölynmuria ja huolehdi siitä, ettei lähellä ole muita henkilöitä eikä tulenarkoja materiaaleja

AKKU

- Mukana tullut akku on osittain ladattu** (varmista akun täysi kapasiteetti lataamalla se täyteen akkulaturissa, ennen kuin käytät sähkötyökalua ensimmäistä kertaa)
- Käytä tämän työkalun yhteydessä vain seuraavia akkuja ja latureita**
 - SKIL-akku: BR1*31****
 - SKIL-laturi: CR1*31****
- Älä käytä vahingoittunutta akkua, vaan vaihda se
- Älä pura akkua
- Suojele konettasi/akkua sateelta
- Sallittu ympäristön lämpötila (työkalu/latauslaite/akku):
 - ladattaessa 4...40°C
 - käytössä -20...+50°C
 - varastoinnissa -20...+50°C

TYÖKALUN/AKUN SYMBOLIEN SELITYKSET

- ③ Tämä työkalu on yhteensopiva useimpien yleisesti saatavilla olevien monitoimityökaluille suunniteltujen lisävarusteiden kanssa, mukaan lukien nykyiset OIS- ja Starlock-peruslisävarusteet

- ④ Lue käyttöohjeet ennen käyttöä
- ⑤ Akut räjähtävät, jos ne hävitetään polttamalla, joten älä missään tapauksessa polta niitä
- ⑥ Säilytä konetta/latauslaitetta/akkuja paikoissa, joissa lämpötila ei nouse yli 50°C
- ⑦ Älä hävitä sähkötyökalua ja paristoja tavallisen kotitalousjätteen mukana

KÄYTTÖ

- Akun lataus
! lue laturin mukana toimitetut varoitukset ja ohjeet
- Akun poistaminen/asentaminen ②
- Akun lataustilan merkkivalo ⑧
 - paina akun varaustilan painiketta M akun senhetkisen varauksen esittämiseksi ⑨a
 - ! jos varaustilan ilmaisimen alin taso alkaa vilkkua, kun olet painanut painiketta M ⑧b, akku on tyhjä**
 - ! jos varaustilan ilmaisimen 2 tasoa alkaa vilkkua, kun olet painanut painiketta M ⑧c, akku ei ole sallitulla käyttölämpötila-alueella**
- Ledivalo L ⑨
LED-valo syttyy automaattisesti, kun ON/OFF-kytkin aktivoidaan
! kun LED-valo alkaa vilkkua, akun suojaus on aktivoitu (katso alla)
- Akun suojaus
Työkalu kytketty äkillisesti pois päältä tai sen päälle kytkeminen estetään, jos
 - **kuormitus on liian suuri** --> poista kuorma ja käynnistä työkalu uudestaan
 - **akun lämpötila ei ole sallitulla käyttölämpötila-alueella -20...+50 °C** --> varaustilan ilmaisimen 2 tasoa alkaa vilkkua, kun painat painiketta M ⑧c - odota kunnes akku on palautunut sallitulle käyttölämpötila-alueelle
 - **akku on lähes tyhjä (sen suojaamiseksi syväpurkaukselta)** --> varaustilan ilmaisimessa näkyy matala varaustila tai vilkkuva matala varaustila ⑧b, kun painat painiketta M - lataa akku
 - ! älä paina käynnistyskytkintä sen jälkeen, kun työkalu on kytketty pois päältä automaattisesti; akku voi vahingoittua**
- Tarvikkeiden vaihtaminen ⑩
! irrota akku työkalusta
 - irrota/asenna tarvittava lisävaruste kuten kuvassa
 - varmista, että lisävarusteen aukot kiinnittyvät työkalun päässä oleviin kohoumiin (ne voi kiinnittää mihin asentoon tahansa)
 - kiinnitä lisävaruste siten, että alas painettu keskikohta osoittaa alaspäin
 - **varmista, että lisävaruste on tiukasti paikallaan** (vääriin tai puutteellisesti kiinnitetyt lisävarusteet voivat löystyä käytön aikana ja aiheuttaa vaaratilanteen)

- Pölynimi ⑪
! irrota akku työkalusta
 - käytä pölynimurin sovittinta J vain työskennellessäsi hiomalaipalla E
 - asenna pölynimurin adapteri J kuvan mukaisesti
 - liitä pölynimuri
 - ! älä käytä pölynpoistolaitetta/pölynimuria metallihionnassa**
 - puhdista pölynimurin sovitin J ajoissa parhaan mahdollisen imun saavuttamiseksi

- Hiomapaperin kiinnittäminen ⑫
 - kopauta pöly pois hiomalaipan tarraosasta E ennen hiomapaperin asentamista
 - kiinnitä VELCRO-hiomapaperi H kuvatulla tavalla
 - ! pölynimi vaatii rei'itetyn hiomapaperin käyttöä**
 - ! hiomapaperin rei'ityksen tulee vastata hiomatason rei'itystä**
 - ! vaihda hiomapaperi uuteen ajoissa**
 - ! käytä työkalua aina niin, että koko tarrapinta on peitetty hiomapaperilla**
- Käynnistys/pysäytys
 - käynnistä tai sammuta kone painamalla kytkin C ② asentoon "I"/"O"
 - ! koneen tulee pyöriä täydellä nopeudella ennen kuin tarvike koskettaa työkalua**
 - ! ennen koneen sammuttamista se tulee nostaa irti työkalupaleesta**
- Työskentelynopeuden säätäminen ⑬
 - käytettäessä laikkaa D tarvittavan värähtelytaajuuden voi säätää pienestä (1) suureen (6) (myös työkalun ollessa käynnissä)
 - paras työskentelynopeus riippuu materiaalista ja se voidaan määrittää käytännön kokeilla
- Koneen pitäminen ja ohjaaminen
! pidä työkalusta kiinni aina työskentelyn aikana harmaan värisestä kädensija(o)ista ⑭
 - pidä ilmanvaihto-aukkoja K peittämättöminä
 - älä kohdista työkaluun liikaa painetta (liiallinen paine aiheuttaa liiallista kuumenemistä ja voi lyhentää lisävarusteen käyttöikää)
- Syvyysäättölisälaite (DEPTH STOP) (ei sisälly toimitukseen) ⑮

VINKKEJÄ

- Jotta eri materiaaleilla saavutettaisiin optimaaliset tulokset, käytä taulukkoa ⑯ apuna määrittäessäsi sopivaa lisävarustetta (lisävarusteita, jotka eivät kuulu vakiovarustukseen)
- Lisätietoja on tarjolla web-osoitteessa www.skil.com

HOITO / HUOLTO

- Tätä työkalua ei ole tarkoitettu ammattikäyttöön
- Pidä työkalu puhtaana (varmista erityisesti ilma-aukkojen puhtaus K ②)
! poista akku työkalusta ennen puhdistusta
- Jos sähkötyökalussa, huolellisesta valmistuksesta ja koestusmenettelystä huolimatta esiintyy vikaa, tulee korjaus antaa SKIL sopimushuollon tehtäväksi
 - toimita työkalu sitä osiin **purkamalla** lähimpään SKIL-huoltoon (osoitteet ja työkalun huoltokaava ovat tarjolla web-osoitteessa www.skil.com) ostotodiste mukaan liitettynä
- Ota huomioon, että takuu ei kata työkalun ylikuormituksesta tai väärästä käsittelystä johtuvia vahinkoja (katso SKILin takuehdot osoitteesta www.skil.com tai kysy jälleenmyyjältä)

YMPÄRISTÖNSUOJELU

- **Älä hävitä sähkötyökalua, paristoja, tarvikkeita tai pakkausta tavallisen kotitalousjätteen mukana** (koskee vain EU-maita)
 - vanhoja sähkö- ja elektroniikkalaitteita koskevan EU-direktiivin 2012/19/ETY ja sen maakohtaisten

sovellusten mukaisesti käytetyt sähkötyökalut on toimitettava ongelmajätteen keräyspisteeseen ja ohjattava ympäristöstävälliseen kierrätykseen

- symboli ⑦ muistuttaa tästä, kun käytöstä poisto tulee ajankohtaiseksi

! **poistaessasi akun käytöstä peitä plus- ja miinusnapa sähköteipillä oikosulun estämiseksi**

MELU / TÄRINÄ

- Tämän työkalun standardin EN 62841 mukaisesti mitattu äänenpainotas on 86,5 dB(A) ja äänenvoimakkuus 97,5 dB(A) (epävarmuus K = 3 dB), ja tärinä * (triaxvektorisumma, epävarmuus K = 1.5 m/s²)
* hionnassa < 2,5 m/s²
 - Tärinäsäätelytaso on mitattu standardin EN 62841 mukaisen standarditestin mukaisesti; sitä voidaan käyttää verrattaessa yhtä laitetta toiseen sekä alustavana tärinälle altistumisen arviona käytettäessä laitetta manituissa käyttötarkoituksissa
 - laitteen käyttö eri käyttötarkoituksiin tai erilaisten tai huonosti ylläpidettyjen lisälaitteiden kanssa voi **lisätä** merkittävästi altistumistasoa
 - laitteen ollessa sammuksissa tai kun se on käynnissä, mutta sillä ei tehdä työtä, altistumistaso voi olla huomattavasti **pienempi**
- ! **suojaudu tärinän vaikutuksilta ylläpitämällä laite ja sen lisävarusteet, pitämällä kädet lämpiminä ja järjestämällä työmenetelmät**

E

Herramienta multiuso sin cable 3650 ni escobillas

INTRODUCCIÓN

- Esta herramienta está concebida para serrar y cortar madera, plástico, escayola, metales y azulejos blandos, así como para lijar y raspar en seco pequeñas superficies
- Es especialmente apropiada para realizar trabajos cerca de bordes, para cortes profundos y para enrasar
- Esta herramienta no está concebida para uso profesional
- Esta herramienta acepta los accesorios para herramientas multiuso más comunes, incluyendo los accesorios OIS y Starlock existentes ③
- Lea y conserve este manual de instrucciones ④

DATOS TÉCNICOS ①

ELEMENTOS DE LA HERRAMIENTA ②

- A Palanca de sujeción
- B Tornillo de sujeción con arandela
- C Interruptor de activación/desactivación
- D Rueda de selección de velocidad
- E Plataforma de lijado
- F Hoja de sierra de segmento circular
- G Hoja de sierra de penetración
- H Hoja de lija
- J Adaptador para aspirador
- K Ranuras de ventilación
- L Luz LED
- M Indicador del nivel de carga de la batería

N Accesorio de ajuste de profundidad *

* NO INCLUIDO/A DE SERIE

SEGURIDAD

ADVERTENCIAS DE PELIGRO GENERALES PARA HERRAMIENTAS ELÉCTRICAS

⚠ **ADVERTENCIA** Lea todas las advertencias de seguridad, instrucciones, ilustraciones y especificaciones entregadas con esta herramienta eléctrica. El incumplimiento de alguna de las instrucciones que figuran a continuación puede ser causa de descargas eléctricas, incendios o lesiones graves.

Guardar todas las advertencias de peligro e instrucciones para futuras consultas.

El término "herramienta eléctrica" empleado en las siguientes advertencias de peligro se refiere a herramientas eléctricas de conexión a la red (con cable de red) y a herramientas eléctricas accionadas por acumulador (o sea, sin cable de red).

1) SEGURIDAD DEL PUESTO DE TRABAJO

- a) **Mantenga limpia y bien iluminada su área de trabajo.** El desorden o una iluminación deficiente en las áreas de trabajo pueden provocar accidentes.
- b) **No utilice la herramienta eléctrica en un entorno con peligro de explosión, en el que se encuentren combustibles líquidos, gases o material en polvo.** Las herramientas eléctricas producen chispas que pueden llegar a inflamar los materiales en polvo o vapores.
- c) **Mantenga alejados a los niños y otras personas de su área de trabajo al emplear la herramienta eléctrica.** Una distracción le puede hacer perder el control sobre la herramienta.

2) SEGURIDAD ELÉCTRICA

- a) **El enchufe de la herramienta eléctrica debe corresponder a la toma de corriente utilizada. No es admisible modificar el enchufe en forma alguna. No emplear adaptadores en herramientas eléctricas dotadas con una toma de tierra.** Los enchufes sin modificar adecuados a las respectivas tomas de corriente reducen el riesgo de una descarga eléctrica.
- b) **Evite que su cuerpo toque partes conectadas a tierra como tuberías, radiadores, cocinas y refrigeradores.** El riesgo a quedar expuesto a una descarga eléctrica es mayor si su cuerpo tiene contacto con tomas de tierra.
- c) **No exponga las herramientas eléctricas a la lluvia o a condiciones de humedad.** Existe el peligro de recibir una descarga eléctrica si penetran líquidos en la herramienta eléctrica.
- d) **No utilice el cable de red para transportar o colgar la herramienta eléctrica, ni tire de él para sacar el enchufe de la toma de corriente. Mantenga el cable de red alejado del calor, aceite, esquinas cortantes o piezas móviles.** Los cables de red dañados o enredados pueden provocar una descarga eléctrica.
- e) **Al trabajar con la herramienta eléctrica en la intemperie utilice solamente cables de prolongación homologados para su uso en exteriores.** La

utilización de un cable de prolongación adecuado para su uso en exteriores reduce el riesgo de una descarga eléctrica.

- f) **Si el funcionamiento de una herramienta eléctrica en un lugar húmedo fuese inevitable, utilice un cortacircuito de fuga a tierra.** El uso de un cortacircuito de fuga a tierra reduce el riesgo de descarga eléctrica.
- 3) **SEGURIDAD DE PERSONAS**
 - a) **Esté atento y emplee la herramienta eléctrica con prudencia. No utilice la herramienta eléctrica si estuviese cansado, ni bajo los efectos de alcohol, drogas o medicamentos.** El no estar atento durante el uso de una herramienta eléctrica puede provocarle serias lesiones.
 - b) **Utilice un equipo de protección personal y en todo caso unas gafas de protección.** El riesgo a lesionarse se reduce considerablemente si, dependiendo del tipo y la aplicación de la herramienta eléctrica empleada, se utiliza un equipo de protección adecuado como una mascarilla antipolvo, zapatos de seguridad con suela antideslizante, casco, o protectores auditivos.
 - c) **Evite una puesta en marcha fortuita. Asegurarse de que la herramienta eléctrica esté desconectada antes de conectarla a la toma de corriente y/o al montar el acumulador, al recogerla, y al transportarla.** Si transporta la herramienta eléctrica sujetándola por el interruptor de conexión/desconexión, o si introduce el enchufe en la toma de corriente con la herramienta eléctrica conectada, ello puede dar lugar a un accidente.
 - d) **Retire las herramientas de ajuste o llaves fijas antes de conectar la herramienta eléctrica.** Una herramienta o llave colocada en una pieza rotativa puede producir lesiones graves al accionar la herramienta eléctrica.
 - e) **Sea precavido. Trabaje sobre una base firme y mantenga el equilibrio en todo momento.** Ello le permitirá controlar mejor la herramienta eléctrica en caso de presentarse una situación inesperada.
 - f) **Lleve puesta una vestimenta de trabajo adecuada. No utilice vestimenta amplia ni joyas. Mantenga su pelo y vestimenta alejados de las piezas móviles.** La vestimenta suelta, las joyas y el pelo largo se pueden enganchar con las piezas en movimiento.
 - g) **Siempre que sea posible utilizar equipos de aspiración o captación de polvo, asegúrese que éstos estén montados y que sean utilizados correctamente.** El empleo de estos equipos reduce los riesgos derivados del polvo.
 - h) **No permita que la familiaridad ganada por el uso frecuente de la herramienta eléctrica lo deje creerse seguro e ignorar las normas de seguridad.** Una acción negligente puede causar lesiones graves en una fracción de segundo.
- 4) **CUIDADO Y UTILIZACIÓN DE HERRAMIENTAS ELÉCTRICAS**
 - a) **No sobrecargue la herramienta eléctrica. Use la herramienta eléctrica prevista para el trabajo a realizar.** Con la herramienta eléctrica adecuada podrá trabajar mejor y con mayor seguridad dentro del margen de potencia indicado.
 - b) **No utilice herramientas eléctricas con un interruptor defectuoso.** Las herramientas eléctricas que no se

puedan conectar o desconectar son peligrosas y deben repararse.

- c) **Saque el enchufe de la red y/o retire el acumulador desmontable de la herramienta eléctrica, antes de realizar un ajuste, cambiar de accesorio o al guardar la herramienta eléctrica.** Esta medida preventiva reduce el riesgo de conectar accidentalmente la herramienta eléctrica.
- d) **Guarde las herramientas eléctricas fuera del alcance de los niños y de las personas que no estén familiarizadas con su uso.** Las herramientas eléctricas utilizadas por personas inexpertas son peligrosas.
- e) **Cuide la herramienta eléctrica y los accesorios con esmero. Controle si funcionan correctamente, sin atascarse, las partes móviles de la herramienta eléctrica, y si existen partes rotas o deterioradas que pudieran afectar al funcionamiento de la herramienta eléctrica. Si la herramienta eléctrica estuviese defectuosa haga repararla antes de volver a utilizarla.** Muchos de los accidentes se deben a herramientas eléctricas con un mantenimiento deficiente.
- f) **Mantenga los útiles limpios y afilados.** Los útiles mantenidos correctamente se dejan guiar y controlar mejor.
- g) **Utilice herramientas eléctricas, accesorios, útiles, etc. de acuerdo con estas instrucciones, teniendo en cuenta las condiciones de trabajo y la tarea a realizar.** El uso de herramientas eléctricas para trabajos diferentes de aquellos para los que han sido concebidas puede resultar peligroso.
- h) **Mantenga las empuñaduras y las superficies de las empuñaduras secas, limpias y libres de aceite y grasa.** Las empuñaduras y las superficies de las empuñaduras resbaladizas no permiten un manejo y control seguro de la herramienta eléctrica en situaciones imprevistas.
- 5) **CUIDADO Y UTILIZACIÓN DE HERRAMIENTAS ACCIONADAS POR ACUMULADOR**
 - a) **Cargue los acumuladores únicamente con los cargadores recomendados por el fabricante.** Existe riesgo de incendio al intentar cargar acumuladores de un tipo diferente al previsto para el cargador.
 - b) **Emplee únicamente los acumuladores previstos para la herramienta eléctrica.** El uso de otro tipo de acumuladores puede provocar daños e incluso un incendio.
 - c) **Si no utiliza el acumulador, guárdelo separado de clips, monedas, llaves, clavos, tornillos o demás objetos metálicos que pudieran puentear sus contactos.** El cortocircuito de los contactos del acumulador puede causar quemaduras o un incendio.
 - d) **La utilización inadecuada del acumulador puede provocar fugas de líquido. Evite el contacto con él. En caso de un contacto accidental enjuagar el área afectada con abundante agua. En caso de un contacto con los ojos recurra además inmediatamente a un médico.** El líquido del acumulador puede irritar la piel o producir quemaduras.
 - e) **No emplee acumuladores o útiles dañados o modificados.** Los acumuladores dañados o modificados pueden comportarse en forma imprevisible y producir un fuego, explosión o peligro de lesión.

- f) **No exponga un acumulador o una herramienta eléctrica al fuego o a una temperatura demasiado alta.** La exposición al fuego o a temperatura sobre 130°C puede causar una explosión.
 - g) **Siga todas las instrucciones para la carga y no cargue nunca el acumulador o la herramienta eléctrica a una temperatura fuera del margen correspondiente especificado en las instrucciones.** Una carga inadecuada o a temperaturas fuera del margen especificado puede dañar el acumulador y aumentar el riesgo de incendio.
- 6) SERVICIO**
- a) **Únicamente haga reparar su herramienta eléctrica por un profesional, empleando exclusivamente piezas de repuesto originales.** Solamente así se mantiene la seguridad de la herramienta eléctrica.
 - b) **No repare los acumuladores dañados.** El entretenimiento de los acumuladores sólo debe ser realizado por el fabricante o un servicio técnico autorizado.

INSTRUCCIONES DE SEGURIDAD PARA HERRAMIENTAS MULTIUSO SIN CABLE

- **Sujete la herramienta eléctrica por las superficies de agarre aisladas al realizar trabajos en los que el accesorio de corte pueda entrar en contacto con conductores eléctricos ocultos** (el contacto del accesorio de corte con conductores bajo tensión puede hacer que las partes metálicas de la herramienta eléctrica pasen a estar en tensión y provoquen una descarga eléctrica)
- **Utilice abrazaderas u otro sistema práctico para asegurar y soportar la pieza de trabajo en una plataforma estable** (si la sujeta con la mano o contra el cuerpo, queda inestable y puede perder el control sobre ella)

GENERAL

- Esta herramienta no debe utilizarse por personas menores de 16 años
- Evite los daños que puedan causar los tornillos, clavos y otros objetos sobre la pieza de trabajo; retírelos antes de empezar a trabajar
- **No trabaje materiales que contengan amianto** (el amianto es cancerígeno)
- Extraiga la batería de la herramienta antes de realizar cualquier ajuste o cambiar los accesorios
- Cuando trabaje mantenga siempre firme la herramienta con ambas manos y adopte una posición estable
- El polvo del material, como la pintura que contiene plomo, algunas especies de madera, minerales y metal podrían ser dañinos (el contacto o inhalación del polvo podría producir reacciones alérgicas y trastornos respiratorios al operador o a otras personas que se encuentren en la zona); **utilice una máscara contra el polvo y trabaje con un dispositivo de extracción de polvo cuando lo conecte**
- Ciertos tipos de polvo están catalogados como cancerígenos (por ejemplo el polvo de roble y de haya) especialmente junto con aditivos para el acondicionamiento de la madera; **utilice una máscara contra el polvo y trabaje con un dispositivo de extracción de polvo cuando lo conecte**
- Siga la normativa nacional en cuanto a extracción de polvo, en función de los materiales que vayan a ser utilizados

- **Utilice guantes de protección al cambiar accesorios** (el contacto con el accesorio puede provocar lesiones)
- Ponga atención al guardar su herramienta de que el motor esté apagado y las partes móviles se hayan detenido por completo

AL SERRANC/CORTAR

- **Mantenga las manos alejadas de la zona de corte;** por ningún motivo toque por debajo del material mientras se está cortando
- **Utilice aparatos de detección adecuados para localizar posibles conductores o tuberías ocultas, o consulte a su compañía abastecedora** (el contacto con conductores eléctricos puede provocar una descarga eléctrica e incluso un incendio; al dañar una tubería de gas puede producirse una explosión; la perforación de una tubería de agua pueden causar daños materiales o una descarga eléctrica)
- No utilice nunca hojas rotas, desformadas o desgastadas

AL LIJAR

- **Use la herramienta exclusivamente para lijado en seco** (la penetración de agua en la herramienta aumenta el riesgo de descarga eléctrica)
- Evitar el contacto con la hoja de lijado en marcha
- No utilizar hojas de lijado desgastadas, desgarradas o excesivamente embazadas
- Al lijar metal se generen chispas; no utilice el aspirador y mantenga otras personas y materiales combustibles alejados de la zona de trabajo

BATERÍAS

- **La batería proporcionada está parcialmente cargada** (para garantizar la capacidad total de la batería cárguela completamente en el cargador antes de utilizar por primera vez la herramienta eléctrica)
- **Utilice únicamente los siguientes cargadores y baterías con esta herramienta**
 - Batería SKIL: BR1*31****
 - Cargador SKIL: CR1*31****
- No utilice la batería si está deteriorada, es necesario cambiarla
- No desarme la batería
- No exponga la herramienta/batería a la lluvia
- Temperatura ambiente permitida (herramienta/cargador/batería):
 - durante la carga 4...40°C
 - durante el servicio -20...+50°C
 - durante el almacenamiento -20...+50°C

EXPLICACIÓN DE SÍMBOLOS DE HERRAMIENTA/ BATERÍA

- ③ Esta herramienta acepta los accesorios para herramientas multiuso más comunes, incluyendo los accesorios básicos OIS y Starlock existentes
- ④ Lea el manual de instrucciones antes de utilizarla
- ⑤ Las baterías estallarán si se tiran al fuego, por ningún motivo caliente las baterías
- ⑥ Guarde la herramienta/cargador/batería en un lugar donde la temperatura no exceda los 50°C
- ⑦ No deseche las herramientas eléctricas y las pilas junto con los residuos domésticos

USO

- Recargue de la batería
- **! lea las instrucciones y la advertencias de seguridad entregadas con el cargador**
- Extracción/instalación de la batería ②

- Indicador del nivel de batería ⑧
 - pulse el botón indicador de nivel de la batería M para mostrar el nivel actual de carga ⑧a
 - ! **cuando empieza a parpadear el nivel inferior del indicador de la batería al pulsar el botón M ⑧b, la batería está descargada**
 - ! **cuando los niveles 2 del indicador de la batería empiezan a parpadear al pulsar el botón M ⑧c, la batería no se encuentra dentro del rango admisible de temperaturas de funcionamiento**
- Luz LED L ⑨
 - El indicador LED se enciende automáticamente cuando se activa el interruptor de encendido y apagado
 - ! **cuando el indicador LED empieza a parpadear, se activa la protección de la batería (véase a continuación)**
- Protección de la batería
 - La herramienta se apaga inmediatamente, o se impide su encendido, cuando
 - **la carga es demasiado elevada** --> retire la carga y vuelva a poner en marcha
 - **la temperatura de la batería no se encuentra dentro del rango admisible de temperaturas de funcionamiento entre -20 °C y +50 °C** --> los niveles 2 del indicador de nivel de la batería comienzan a parpadear al pulsar el botón M ⑧c; espere a que la batería vuelva a estar dentro del rango admisible de temperaturas de funcionamiento
 - **la batería está casi descargada (como protección frente a una descarga intensa)** --> el indicador de nivel de la batería señala un nivel bajo de carga o un nivel bajo de carga intermitente ⑧b al pulsar el botón M; cargue la batería
 - ! **no continúe pulsando el interruptor de encendido después de que se apague automáticamente la herramienta; se puede dañar la batería**
- Cambio de accesorios ⑩
 - ! **extraiga la batería de la herramienta**
 - retire/instale el accesorio requerido según figura en la ilustración
 - asegúrese de que las aberturas del accesorio encajan con las pestañas del cabezal de la herramienta (es posible cualquier posición de acoplamiento)
 - instale el accesorio con el centro hundido orientado hacia abajo
 - **compruebe que el accesorio se apoya de forma ajustada** (los accesorios apretados de forma incorrecta o poco firme pueden soltarse durante la operación provocando riesgos)
- Aspiración de polvo ⑪
 - ! **extraiga la batería de la herramienta**
 - utilice un adaptador para aspirador J únicamente cuando trabaje con un disco de lijado E
 - monte el adaptador para el aspirador J de la forma ilustrada
 - monte la aspiradora
 - ! **no utilice el dispositivo de extracción de polvo/aspirador al lijar metales**
 - limpie el adaptador para aspirador J con regularidad para que el rendimiento de la recogida de polvo sea óptimo

- Montaje de la hoja de lija ⑫
 - sacuda el polvo adherido al VELCRO de la plataforma de lijado E antes de colocar la hoja de lija
 - monte la hoja de lijado VELCRO H de la forma ilustrada
 - ! **la succión de polvo requiere que se usen hojas de lija perforadas**
 - ! **las perforaciones de las hojas de lija deben corresponderse con las perforaciones de la lijadora**
 - ! **cambie a tiempo las hojas de lija pasadas**
 - ! **utilice siempre la herramienta con toda la superficie de VELCRO cubierta con la hoja de lija**
- Encendido/apagado
 - encienda/apague la herramienta empujando el interruptor C ② a la posición "I"/"O"
 - ! **antes de trabajar sobre una pieza, la herramienta deberá alcanzar su velocidad máxima**
 - ! **antes de desactivar la herramienta, debe retirarla de la pieza de trabajo**
- Ajuste de la velocidad de funcionamiento ⑬
 - la frecuencia de oscilación requerida se puede ajustar con la rueda D desde el nivel bajo (1) al alto (6) (también con la herramienta en funcionamiento)
 - la velocidad óptima de trabajo depende del material y puede determinarse con la práctica
- Sujeción y manejo de la herramienta
 - ! **durante el trabajo, sujete siempre la herramienta por la(s) zona(s) de empuñadura de color gris ⑭**
 - mantenga las ranuras de ventilación K descubiertas
 - no aplique demasiada presión sobre la herramienta (demasiada presión provocará un calentamiento excesivo y puede reducir la vida útil del accesorio)
- Accesorio de ajuste de profundidad (DEPTH STOP) (no incluido de serie) ⑮

CONSEJOS DE APLICACIÓN

- Para obtener los mejores resultados con distintos materiales, utilice la tabla ⑯ como referencia para determinar el accesorio adecuado (los accesorios no se incluyen con el modelo estándar)
- Si desea más información, visite www.skil.com

MANTENIMIENTO / SERVICIO

- Esta herramienta no está concebida para uso profesional
- Mantenga siempre limpia la herramienta (sobre todo las ranuras de ventilación K ②)
 - ! **extraiga la batería de la herramienta antes de la limpieza**
- Si a pesar de los esmerados procesos de fabricación y control, la herramienta llegase a averiarse, la reparación deberá encargarse a un servicio técnico autorizado para herramientas eléctricas SKIL
 - envíe la herramienta **sin desmontar** junto con una prueba de su compra a su distribuidor o a la estación de servicio más cercana de SKIL (los nombres así como el despiece de piezas de la herramienta figuran en www.skil.com)
- Tenga presente que los daños debido a sobrecargas o al manejo inadecuado de la herramienta serán excluidos de la garantía (consulte las condiciones de garantía de SKIL en www.skil.com o consulte a su distribuidor)

AMBIENTE

- **No deseche las herramientas eléctricas, las pilas, los accesorios y embalajes junto con los residuos domésticos** (sólo para países de la Unión Europea)
 - de conformidad con la Directiva Europea 2012/19/CE sobre residuos de aparatos eléctricos y electrónicos y su aplicación de acuerdo con la legislación nacional, las herramientas eléctricas cuya vida útil haya llegado a su fin se deberán recoger por separado y trasladar a una planta de reciclaje que cumpla con las exigencias ecológicas
 - símbolo ⑦ llamará su atención en caso de necesidad de tirarlas
- ! **es prioritario disponer de terminales protectores de baterías para evitar un corto circuito**

RUIDOS / VIBRACIONES

- Realizando mediciones según EN 62841, el nivel de presión acústica de esta herramienta es 86,5 dB(A) y el nivel de potencia acústica es de 97,5 dB(A) (incertidumbre K = 3 dB), y la vibración * (suma vectorial triaxial; incertidumbre K = 1,5 m/s²)
 - * durante el lijado < 2,5 m/s²
- El nivel de emisión de vibraciones ha sido medido según una prueba estándar proporcionada en EN 62841; puede utilizarse para comparar una herramienta con otra y como valoración preliminar de la exposición a las vibraciones al utilizar la herramienta con las aplicaciones mencionadas
 - al utilizarla para distintas aplicaciones o con accesorios diferentes o con un mantenimiento deficiente, podría **augmentar** de forma notable el nivel de exposición
 - en las ocasiones en que se apaga la herramienta o cuando está funcionando pero no está realizando ningún trabajo, se podría **reducir** el nivel de exposición de forma importante
- ! **protéjase contra los efectos de la vibración realizando el mantenimiento de la herramienta y sus accesorios, manteniendo sus manos calientes y organizando sus patrones de trabajo**



P

Ferramenta multifunções sem fios e sem escovas 3650

INTRODUÇÃO

- Esta ferramenta destina-se a serrar e cortar madeira, plástico, reboco, metais e mosaicos de parede leves, assim como lixar e raspar pequenas superfícies a seco
- É especialmente apropriada para trabalhos próximos de rebordos, para corte vertical e para cortes face a face
- Esta ferramenta não se destina a utilização profissional
- Esta ferramenta aceita os acessórios multiferramentas disponíveis mais comuns, incluindo os acessórios OIS de Starlock existentes ③
- Leia e guarde este manual de instruções ④

DADOS TÉCNICOS ①

ELEMENTOS DA FERRAMENTA ②

- A Alavanca de fixação
 - B Parafuso de fixação com anilha
 - C Interruptor para ligar/desligar
 - D Rolete de selecção da velocidade
 - E Disco de lixa
 - F Lâmina da serra de segmento
 - G Lâmina da serra de corte
 - H Folha de lixa
 - J Adaptador para aspirador
 - K Aberturas de ventilação
 - L Luz LED
 - M Indicador do nível de carregamento da bateria
 - N Acessório de ajuste da profundidade *
- * NÃO INCLUIDO/A DE SÉRIE

SEGURANÇA

INDICAÇÕES GERAIS DE SEGURANÇA PARA FERRAMENTAS ELÉTRICAS

AVISO Leia todos os avisos de segurança, instruções, ilustrações e especificações fornecidas com esta ferramenta eléctrica. O incumprimento de todas as instruções enumeradas abaixo poderá resultar em choque eléctrico, incêndio e/ou lesão grave.

Guarde bem todas as advertências e instruções para futura referência.

O termo “ferramenta eléctrica” utilizado a seguir nas indicações de advertência, refere-se a ferramentas eléctricas operadas com corrente de rede (com cabo de rede) e a ferramentas eléctricas operadas com acumulador (sem cabo de rede).

1) SEGURANÇA DA ÁREA DE TRABALHO

- a) **Mantenha a sua área de trabalho limpa e arrumada.** Desordem ou áreas de trabalho com fraca iluminação podem causar acidentes.
- b) **Não trabalhar com a ferramenta eléctrica em áreas com risco de explosão, nas quais se encontrem líquidos, gases ou pós inflamáveis.** Ferramentas eléctricas produzem faíscas que podem provocar a ignição de pó e vapores.
- c) **Mantenha crianças e outras pessoas afastadas da ferramenta eléctrica durante o trabalho com a ferramenta.** Distrações podem causar a falta de controlo sobre o aparelho.

2) SEGURANÇA ELÉTRICA

- a) **As fichas das ferramentas eléctricas devem caber na tomada. A ficha não deve ser modificada de modo algum. Não utilize quaisquer fichas de adaptação junto com ferramentas eléctricas ligadas à terra.** Fichas sem modificações e tomadas adequadas reduzem o risco de choques eléctricos.
- b) **Evite que o corpo entre em contacto com superfícies ligadas à terra, como por exemplo tubos, radiadores, fogões e geladeiras.** Há um risco elevado de choques eléctricos, caso o corpo for ligado à terra.

- c) **A ferramenta eléctrica não deve ser exposta à chuva nem humidade.** A penetração de água na ferramenta eléctrica aumenta o risco de choques eléctricos.
 - d) **O cabo do aparelho não deve ser utilizado para o transporte, para pendurar o aparelho, nem para puxar a ficha da tomada. Mantenha o cabo afastado de calor, óleo, cantos afiados ou partes em movimento do aparelho.** Cabos danificados ou torcidos aumentam o risco de choques eléctricos.
 - e) **Ao trabalhar com a ferramenta eléctrica ao ar livre, use um cabo de extensão apropriado para áreas externas.** O uso de um cabo apropriado para áreas externas reduz o risco de choques eléctricos.
 - f) **Se não for possível evitar o funcionamento da ferramenta eléctrica em áreas húmidas, deverá ser utilizado um disjuntor de corrente de avaria.** A utilização de um disjuntor de corrente de avaria reduz o risco de um choque eléctrico.
- 3) SEGURANÇA DE PESSOAS**
- a) **Esteja alerta, observe o que está a fazer, e tenha prudência ao trabalhar com a ferramenta eléctrica. Não use a ferramenta eléctrica se estiver fatigado ou sob a influência de drogas, álcool ou medicamentos.** Um momento de falta de atenção durante a operação da ferramenta eléctrica pode causar graves lesões.
 - b) **Utilizar equipamento de protecção pessoal e sempre óculos de protecção.** A utilização de equipamento de protecção pessoal, como máscara de protecção contra pó, sapatos de segurança antiderrapantes, capacete de segurança ou protecção auricular, de acordo com o tipo e aplicação da ferramenta eléctrica, reduz o risco de lesões.
 - c) **Evitar uma colocação em funcionamento involuntária. Assegure-se de que a ferramenta eléctrica esteja desligada, antes de conectá-la à alimentação de rede e/ou ao acumulador, antes de levantá-la ou de transportá-la.** Se tiver o dedo no interruptor ao transportar a ferramenta eléctrica ou se o aparelho for conectado à alimentação de rede enquanto estiver ligado, poderão ocorrer acidentes.
 - d) **Remover chaves de ajustes ou chaves de fenda, antes de ligar a ferramenta eléctrica.** Uma chave de fenda ou chave de ajuste que se encontre numa parte móvel do aparelho, pode levar a lesões.
 - e) **Não se sobrestime. Mantenha uma posição firme e mantenha sempre o equilíbrio.** Desta forma poderá ser mais fácil controlar o aparelho em situações inesperadas.
 - f) **Use roupa apropriada. Não use roupa larga ou jóias. Mantenha os cabelos e roupas afastados de partes em movimento.** Roupas largas, jóias ou cabelos longos podem ser agarradas por partes em movimento.
 - g) **Se for prevista a montagem de dispositivos de aspiração de pó e de dispositivos de recolha, assegure-se de que estão conectados e que sejam utilizados de forma correcta.** A utilização de uma aspiração de pó pode reduzir o perigo devido ao pó.
 - h) **Não deixe que a familiaridade resultante de uma utilização frequente de ferramentas permita que você se torne complacente e ignore os princípios de segurança da ferramenta.** Uma acção descuidada pode causar ferimentos graves numa fração de segundo.

4) USO E TRATAMENTO DE FERRAMENTAS ELÉTRICAS

- a) **Não sobrecarregue a ferramenta eléctrica. Use para o seu trabalho a ferramenta eléctrica correcta.** A ferramenta correcta realizará o trabalho de forma melhor e mais segura dentro da faixa de potência indicada.
- b) **Não utilize a ferramenta eléctrica se o interruptor não puder ser ligado nem desligado.** Qualquer ferramenta eléctrica que não possa ser controlada através do interruptor de ligar-desligar, é perigosa e deve ser reparada.
- c) **Puxar a ficha da tomada e/ou remover o acumulador, se amovível, antes de executar ajustes na ferramenta, de substituir acessórios ou de guardar a ferramenta.** Esta medida de segurança evita que a ferramenta eléctrica seja ligada acidentalmente.
- d) **Guarde ferramentas eléctricas que não estiverem sendo utilizadas, for a do alcance de crianças. Não permita que o aparelho seja utilizado por pessoas não familiarizadas com o mesmo ou que não tenham lido estas instruções.** Ferramentas eléctricas são perigosas nas mãos de pessoas sem treinamento.
- e) **Trate a ferramenta eléctrica e os acessórios com cuidado. Verifique se as partes móveis do aparelho funcionam perfeitamente e não emperram, se há peças quebradas ou danificadas, que possam influenciar o funcionamento do aparelho. Peças danificadas devem ser reparadas antes da utilização do aparelho.** Muitos acidentes tem como causa uma manutenção insuficiente das ferramentas eléctricas.
- f) **Mantenha as ferramentas de corte sempre afiadas e limpas.** Ferramentas de cortes devidamente tratadas, com cantos afiados travam com menos frequência e podem ser controladas com maior facilidade.
- g) **Use a ferramenta eléctrica, os acessórios os bits da ferramenta etc., de acordo com estas instruções. Considere também as condições de trabalho e o trabalho a ser efectuado.** A utilização da ferramenta eléctrica para outros fins que os previstos, pode resultar em situações perigosas.
- h) **Mantenha os punhos e as superfícies de agarrar secas, limpas e livres de óleo e massa consistente.** Punhos e superfícies de agarrar escorregadias não permitem o manuseio e controlo seguros da ferramenta em situações inesperadas.

5) USO E TRATAMENTO DE APARELHOS COM ACUMULADOR

- a) **Apenas deverá carregar em carregadores, acumuladores recomendados pelo fabricante.** Um carregador que é apropriado para um tipo de acumulador, pode causar um incêndio se se for utilizado para carregar outros acumuladores.
- b) **Apenas utilize nas ferramentas eléctricas os acumuladores previstos.** A utilização de outros acumuladores pode levar a lesões e riscos de incêndio.
- c) **Quando o acumulador não estiver em uso, mantenha-o afastado de outros objectos de metal, como por exemplo agrafos, moedas, chaves, pregos, parafusos, ou outros pequenos objectos metálicos que possam ligar em ponte os contactos.** Um curto circuito entre os contactos do acumulador pode causar queimaduras ou incêndio.

- d) **Aplicações inadequadas podem provocar fugas do líquido do acumulador. Evite o contacto com este líquido. No caso de um contacto accidental, lave imediatamente com água fresca. Se o líquido entrar em contacto com os olhos, procure um auxílio médico.** O líquido que escapa do acumulador pode levar a irritações ou queimaduras da pele.
- e) **Não use um acumulador ou uma ferramenta danificada ou modificada.** Os acumuladores danificados ou modificados exibem um comportamento imprevisível podendo causar incêndio, explosão ou risco de lesão.
- f) **Não exponha o acumulador ou a ferramenta ao fogo ou temperatura excessiva.** Exposição ao fogo ou a uma temperatura acima de 130°C pode causar explosão.
- g) **Siga todas as instruções de carregamento e não carregue o acumulador ou a ferramenta fora da faixa de temperatura especificada no manual de instruções.** Carregar indevidamente ou em temperaturas fora da faixa especificada pode danificar o acumulador e aumentar o risco de incêndio.

6) SERVIÇO

- a) **A sua ferramenta eléctrica só deve ser reparada por pessoal qualificado e só devem ser colocadas peças sobressalentes originais.** Desta forma é assegurada a segurança da ferramenta eléctrica.
- b) **Nunca tente reparar acumuladores danificados.** A reparação de acumuladores deve ser realizada apenas pelo fabricante ou agentes de assistência autorizados.

INSTRUÇÕES DE SEGURANÇA PARA FERRAMENTAS MULTIFUNÇÕES SEM FIOS

- **Segurar a ferramenta eléctrica pelas superfícies de punho isoladas ao executar trabalhos durante os quais o acessório de corte possa atingir cabos eléctricos escondidos** (o contacto do acessório de corte com um cabo sob tensão também pode colocar sob tensão as peças metálicas da ferramenta e levar a um choque eléctrico)
- **Utilize os grampos ou outra forma prática para apoiar e fixar a peça de trabalho numa plataforma estável** (segurar o trabalho com a mão ou contra o corpo deixa a peça instável e pode provocar a perda de controlo)

GENERAL

- Esta ferramenta não deve ser utilizada por pessoas menores de 16 anos
- Evite danificar a ferramenta em superfícies com pregos ou parafusos; remova-os antes de começar a trabalhar
- **Não processar material que contenha asbesto** (asbesto é considerado como sendo cancerígeno)
- Retire a bateria da ferramenta antes de efectuar qualquer regulação ou mudar de acessório
- Durante o trabalho segure sempre a ferramenta firmemente com ambas as mãos e mantenha uma posição firme
- O pó do material, como tinta com chumbo, algumas espécies de madeira, minerais e metais, pode ser prejudicial (contacto ou inalação do pó pode provocar reacções alérgicas e/ou doenças respiratórias ao operador ou às pessoas presentes); **use máscara respiratória e trabalhe com um dispositivo de extracção de pó quando ligado a**

- Determinados tipos de pó são classificados como substâncias cancerígenas (como pó de carvalho e faia), em especial, juntamente com aditivos para acondicionamento da madeira; **use máscara respiratória e trabalhe com um dispositivo de extracção de pó quando ligado a**
- Siga o regulamento nacional quanto a extracção de pó, em função dos materiais que vão ser utilizados
- **Use luvas de protecção quando mudar os acessórios** (contacto com o acessório pode provocar lesões)
- Quando guardar a ferramenta, deverá certificar-se que o motor esta devidamente parado assim como todas as peças rotativas

QUANDO SERRAR/CORTAR

- **Mantenha as mãos afastadas da área de corte;** nunca toque por baixo do material por qualquer motivo durante o corte
- **Utilizar detectores apropriados para detectar tubos e cabos de alimentação escondidos, ou consulte a firma de alimentação local** (o contacto com um cabo eléctrico pode levar a incêndio e choque eléctrico; a danificação de um cano de gás pode levar à explosão; a penetração de uma tubulação de água provoca danos materiais ou pode provocar um choque eléctrico)
- Não utilize lâminas que se encontrem rachadas, deformadas ou cagas

QUANDO LIXAR

- **Utilize a ferramenta apenas para lixagem a seco** (a entrada de água na ferramenta aumenta o risco de choque eléctrico)
- Não entrar em contacto com a folha de lixadeira em funcionamento
- Folhas de lixadeira gastas, rasgadas ou muito sujos não devem continuar a ser utilizadas
- Ao lixar metais, devido às faíscas produzidas, não utilize o aspirador e mantenha afastadas outras pessoas e materiais combustíveis à área de trabalho

BATERIAS

- **A bateria fornecida tem apenas carga parcial** (para assegurar a capacidade total da bateria, carregue completamente a bateria no carregador antes de usar a sua ferramenta eléctrica pela primeira vez)
- **Utilize apenas as seguintes baterias e carregadores com esta ferramenta**
 - Bateria SKIL: BR1*31****
 - Carregador SKIL: CR1*31****
- Não utilize baterias danificadas; devem ser substituídas imediatamente
- Não desmonte a bateria
- Não exponha a ferramenta/bateria à chuva
- Temperatura ambiente permitida (ferramenta/carregador/bateria):
 - durante o carregamento 4...40°C
 - durante o funcionamento -20...+50°C
 - durante o armazenamento -20...+50°C

EXPLICAÇÃO DOS SÍMBOLOS DA FERRAMENTA/ BATERIA

- ③ Esta ferramenta aceita os acessórios multiferramentas disponíveis mais comuns, incluindo os acessórios básicos OIS e Starlock existentes
- ④ Leia o manual de instruções antes de utilizar o equipamento
- ⑤ As baterias explodirão quando colocadas num fogo, por isso, não queime as baterias por nenhum motivo

- ⑥ Guarde a ferramenta/carregador/bateria em locais onde a temperatura não exceda os 50°C
- ⑦ Não deite ferramentas eléctricas e pilhas no lixo doméstico

MANUSEAMENTO

- Recarga da bateria
 - ! **leia os avisos de segurança e as instruções fornecidos com o carregador**
- Remover/instalar a bateria ②
- Indicador de nível da bateria ⑧
 - prima o botão do indicador de nível da bateria M para apresentar o nível atual da bateria ⑧a
 - ! **quando o nível mais baixo do indicador da bateria ficar intermitente depois de premir o botão M ⑧b, a bateria está vazia**
 - ! **quando os níveis 2 do indicador da bateria ficarem intermitentes depois de premir o botão M ⑧c, a bateria não está dentro do intervalo da temperatura de funcionamento permitido**
- Luz LED L ⑨
 - A luz LED acende-se quando o ativar o interruptor de ligar/desligar
 - ! **quando a luz LED ficar intermitente, a proteção da bateria está ativada (ver abaixo)**
- Protecção da bateria
 - A ferramenta desliga-se repentinamente ou não se liga quando
 - **a carga é muito elevada** --> retire carga e recomece
 - **a temperatura da bateria não está dentro do intervalo da temperatura de funcionamento de -20 a +50°C** --> Os níveis 2 do indicador do nível da bateria ficam intermitentes quando premir o botão M ⑧c; aguarde até a bateria voltar ao intervalo de temperatura de funcionamento permitido
 - **a bateria está quase vazia (para proteção contra uma descarga profunda)** --> um nível baixo da bateria ou um nível da bateria baixo intermitente ⑧b aparece através do indicador de nível da bateria quando prime o botão M; carregue a bateria
 - ! **não continue a premir o interruptor de ligar/desligar após a desactivação automática da ferramenta; pode danificar a bateria**
- Substituição de acessórios ⑩
 - ! **retire a bateria da ferramenta**
 - retire/monte o acessório necessário conforme ilustrado
 - certifique-se de que as aberturas do acessório engatam nas patilhas da cabeça da ferramenta (qualquer posição de encaixe possível)
 - monte o acessório com o centro comprimido apontado para baixo
 - **verifique o aperto do acessório** (os acessórios apertados incorrectamente ou mal apertados podem ficar soltos durante o funcionamento e criar perigo)
- Aspiração de pó ⑪
 - ! **retire a bateria da ferramenta**
 - utilize o adaptador para aspirador J apenas quando trabalhar com o disco da lixa E
 - monte o adaptador para aspirador J como ilustrado
 - aplique o aspirador
 - ! **não utilize o dispositivo de extracção de pó/ aspirador quando lixar metais**

- limpe o adaptador para aspirador J regularmente para uma recolha de pó óptima
- Montagem das folhas de lixa ⑫
 - sacuda o pó do tecido de VELCRO do disco de lixa E antes de montar a folha de lixa
 - monte a folha de lixa VELCRO H como ilustrado
 - ! **a aspiração de pó requer folhas de lixa perfuradas**
 - ! **a perfuração da folha de lixa deverá corresponder à perfuração da ferramenta**
 - ! **troque as folhas de lixas gastas atempadamente**
 - ! **utilize sempre a ferramenta com toda a superfície de VELCRO coberta com a folha de lixa**
- Ligar/desligar
 - ligue/desligue a ferramenta premindo o interruptor C ② para a posição "I"/"O"
 - ! **a ferramenta deverá trabalhar na velocidade máxima antes de alcançar a peça a trabalhar**
 - ! **antes de desligar a ferramenta, deve levantá-la da peça de trabalho**
- Ajustar a velocidade de trabalho ⑬
 - com a roda D pode ajustar a frequência de oscilação necessária de baixa (1) a alta (6) (também com a ferramenta em funcionamento)
 - a velocidade de trabalho óptima depende do material e pode ser determinada pelas tentativas práticas
- Segurar e guiar a ferramenta
 - ! **durante o trabalho, segure sempre a ferramenta na(s) área(s) de fixação cinzenta(s) ⑭**
 - mantenha as aberturas de ventilação K destapadas
 - não aplique demasiada pressão na ferramenta (a pressão excessiva provocará calor excessivo e pode reduzir a duração do acessório)
- Acessório de ajuste da profundidade (DEPTH STOP) (não incluído de série) ⑮

CONSELHOS DE APLICAÇÃO

- Para resultados óptimos em diferentes materiais, utilize a tabela ⑮ como referência para determinar o acessório correcto (**acessórios não padrão incluídos**)
- Para mais informação, consulte www.skil.com

MANUTENÇÃO / SERVIÇO

- Esta ferramenta não se destina a utilização profissional
- Mantenha a ferramenta sempre limpa (especialmente as ranhuras de respiração K ②)
 - ! **retire a bateria da ferramenta antes de limpar**
- Se a ferramenta falhar apesar de cuidadosos processos de fabricação e de teste, a reparação deverá ser executada por uma oficina de serviço autorizada para ferramentas eléctricas SKIL
 - envie a ferramenta **sem desmontar**, juntamente com a prova de compra, para o seu revendedor ou para o centro de assistência SKIL mais próximo (os endereços assim como a mapa de peças da ferramenta estão mencionados no www.skil.com)
- Não se esqueça de que os danos provocados por sobrecarga ou manuseamento incorrecto da ferramenta estão excluídos da garantia (para mais informações sobre as condições da garantia da SKIL, consulte www.skil.com ou pergunte ao seu revendedor)

AMBIENTE

- **Não deite ferramentas eléctricas, pilhas, acessórios e embalagem no lixo doméstico** (apenas para países da UE)
 - de acordo com a directiva europeia 2012/19/CE sobre ferramentas eléctricas e electrónicas usadas e a transposição para as leis nacionais, as ferramentas eléctricas usadas devem ser recolhidas em separado e encaminhadas a uma instalação de reciclagem dos materiais ecológica
 - símbolo ⑦ lhe avisará em caso de necessidade de arranjar-las
- ! **proteja os terminais da bateria com fita isoladora antes de a expor de modo a evitar curto-circuitos**

RÚIDO / VIBRAÇÃO

- O nível de pressão sonora desta ferramenta, medido de acordo com a EN 62841, é de 86,5 dB(A) e o nível de potência acústica é de 97,5 dB(A) (incerteza K = 3 dB), e a vibração * (soma do vector triax; incerteza K = 1,5 m/s²)
 - * durante a lixagem < 2,5 m/s²
- O nível de emissão de vibrações foi medido de acordo com um teste normalizado fornecido na EN 62841; pode ser utilizado para comparar uma ferramenta com outra e como uma avaliação preliminar de exposição à vibração quando utilizar a ferramenta para as aplicações mencionadas
 - utilizar a ferramenta para diferentes aplicações ou com acessórios diferentes ou mantidos deficientemente, pode **umentar** significativamente o nível de exposição
 - o número de vezes que a ferramenta é desligada ou quando estiver a trabalhar sem fazer nada, pode **reduzir** significativamente o nível de exposição
- ! **proteja-se contra os efeitos da vibração, mantendo a ferramenta e os acessórios, mantendo as mãos quentes e organizando os padrões de trabalho**

1

Utensile multifunzione brushless 3650 senza filo

INTRODUZIONE

- Questo utensile è stato concepito per segare e tagliare legno, plastica, intonaco, metalli e piastrelle per pareti morbide, nonché per la levigatura a secco e la raschiatura di superfici piccole
- L'utensile è adatto in modo particolare per lavori vicino ai bordi, tagli in profondità e a livello
- Questo utensile non è inteso per un uso professionale
- Questo utensile permette l'utilizzo dei più comuni accessori disponibili, compresi gli accessori OIS e Starlock in commercio ③
- Leggete e conservate questo manuale di istruzione ④

DATI TECNICI ①

ELEMENTI UTENSILE ②

- A Leva morsa
 - B Vite di fissaggio con rondella
 - C Interruttore di acceso/spento
 - D Rotella selezione velocità
 - E Piatorello
 - F Lama per sega a segmenti
 - G Lama per tagli in profondità
 - H Foglio abrasivo
 - J Adattatore per aspirapolvere
 - K Feritoie di ventilazione
 - L Spia LED
 - M Indicatore del livello batteria
 - N Accessorio per la regolazione della profondità *
- * NON INCLUSO/A DI SERIE

SICUREZZA

AVVERTENZE GENERALI DI PERICOLO PER ELETTROUTENSILI

AVVERTENZA Leggere tutte le avvertenze di sicurezza, istruzioni, illustrazioni e specifiche fornite con l'utensile. La mancata osservanza di tutte le istruzioni sottoelencate potrebbe causare delle scariche elettriche, principi d'incendio e/o gravi lesioni.

Conservare tutte le avvertenze di pericolo e le istruzioni operative per ogni esigenza futura.

Il termine "elettroutensile" utilizzato nelle avvertenze di pericolo si riferisce ad elettroutensili alimentati dalla rete (con linea di allacciamento) ed ad elettroutensili alimentati a batteria (senza linea di allacciamento).

1) SICUREZZA DELLA POSTAZIONE DI LAVORO

- a) **Mantenere pulito ed ordinato il posto di lavoro.** Il disordine o le zone di lavoro non illuminate possono essere fonte di incidenti.
- b) **Evitare d'impiegare l'elettroutensile in ambienti soggetti al rischio di esplosioni nei quali si trovino liquidi, gas o polveri infiammabili.** Gli elettroutensili producono scintille che possono far infiammare la polvere o i gas.
- c) **Mantenere lontani i bambini ed altre persone durante l'impiego dell'elettroutensile.** Eventuali distrazioni potranno comportare la perdita del controllo sull'elettroutensile.

2) SICUREZZA ELETTRICA

- a) **La spina per la presa di corrente dovrà essere adatta alla presa. Evitare assolutamente di apportare modifiche alla spina. Non impiegare spine adattatrici assieme ad elettroutensili con collegamento a terra.** Le spine non modificate e le prese adatte allo scopo riducono il rischio di scosse elettriche.
- b) **Evitare il contatto fisico con superfici collegate a terra, come tubi, riscaldamenti, cucine elettriche e frigoriferi.** Sussiste un maggior rischio di scosse elettriche nel momento in cui il corpo è messo a massa.
- c) **Custodire l'elettroutensile al riparo dalla pioggia o dall'umidità.** L'eventuale infiltrazione di acqua in un

elettrotensile va ad aumentare il rischio d'insorgenza di scosse elettriche.

- d) **Non usare il cavo per scopi diversi da quelli previsti al fine di trasportare o appendere l'elettrotensile, oppure di togliere la spina dalla presa di corrente. Mantenere l'elettrotensile al riparo da fonti di calore, dall'olio, dagli spigoli o da pezzi in movimento.** I cavi danneggiati o aggrovigliati aumentano il rischio d'insorgenza di scosse elettriche.
- e) **Qualora si voglia usare l'elettrotensile all'aperto, impiegare solo ed esclusivamente cavi di prolunga omologati per l'impiego all'esterno.** L'uso di un cavo di prolunga omologato per l'impiego all'esterno riduce il rischio d'insorgenza di scosse elettriche.
- f) **Qualora non fosse possibile evitare di utilizzare l'elettrotensile in ambiente umido, utilizzare un interruttore di messa a terra.** L'uso di un interruttore di messa a terra riduce il rischio di una scossa elettrica.

3) SICUREZZA DELLE PERSONE

- a) **È importante concentrarsi su ciò che si sta facendo e a maneggiare con giudizio l'elettrotensile durante le operazioni di lavoro. Non utilizzare l'elettrotensile in caso di stanchezza o sotto l'effetto di droghe, bevande alcoliche e medicinali.** Un attimo di distrazione durante l'uso dell'elettrotensile potrà causare lesioni gravi.
- b) **Indossare sempre equipaggiamento protettivo individuale. Usare sempre protezioni per gli occhi.** Se si avrà cura d'indossare equipaggiamento protettivo individuale come la maschera antipolvere, la calzatura antidrucciolevole di sicurezza, il casco protettivo o la protezione dell'udito, a seconda dell'impiego previsto per l'elettrotensile, si potrà ridurre il rischio di ferite.
- c) **Evitare l'accensione involontaria dell'elettrotensile. Prima di collegarlo alla rete di alimentazione elettrica e/o alla batteria ricaricabile, prima di prenderlo oppure prima di iniziare a trasportarlo, assicurarsi che l'elettrotensile sia spento.** Tenendo il dito sopra l'interruttore mentre si trasporta l'elettrotensile oppure collegandolo all'alimentazione di corrente con l'interruttore inserito, si vengono a creare situazioni pericolose in cui possono verificarsi seri incidenti.
- d) **Togliere gli attrezzi di regolazione o la chiave inglese prima di accendere l'elettrotensile.** Un elettrotensile o una chiave inglese che si trovino in una parte dell'elettrotensile in rotazione potranno causare lesioni.
- e) **È importante non sopravvalutarsi. Avere cura di mettersi in posizione sicura e di mantenere l'equilibrio.** In tale maniera sarà possibile controllare meglio l'elettrotensile in situazioni inaspettate.
- f) **Indossare vestiti adeguati. Evitare di indossare vestiti lenti o gioielli. Tenere capelli e vestiti lontani da parti in movimento.** Vestiti lenti, gioielli o capelli lunghi potranno impigliarsi in pezzi in movimento.
- g) **Se sussiste la possibilità di montare dispositivi di aspirazione o di captazione della polvere, assicurarsi che gli stessi siano stati installati correttamente e vengano utilizzati senza errori.** L'utilizzo di un'aspirazione polvere può ridurre lo svilupparsi di situazioni pericolose dovute alla polvere.

- h) **Una volta presa confidenza con gli utensili, evitare di trascurare le norme di sicurezza.** Una mancanza di attenzione può causare gravi lesioni in una frazione di secondo.

4) MANEGGIO ED IMPIEGO ACCURATO DI ELETTROTENSILI

- a) **Non sovraccaricare l'elettrotensile. Impiegare l'elettrotensile adatto per sbrigare il lavoro.** Utilizzando l'elettrotensile adatto si potrà lavorare meglio e con maggior sicurezza nell'ambito della gamma di potenza indicata.
 - b) **Non utilizzare elettrotensili con interruttori difettosi.** Un elettrotensile che non si può più accendere o spegnere è pericoloso e dovrà essere riparato.
 - c) **Prima di procedere ad operazioni di regolazione sull'elettrotensile, prima di sostituire parti accessorie oppure prima di posare l'elettrotensile al termine di un lavoro, estrarre sempre la spina dalla presa della corrente e/o estrarre la batteria ricaricabile, se rimovibile.** Tale precauzione eviterà che l'elettrotensile possa essere messo in funzione inavvertitamente.
 - d) **Custodire gli elettrotensili non utilizzati al di fuori della portata dei bambini. Non fare usare l'elettrotensile a persone che non sono abituate ad usarlo o che non abbiano letto le presenti istruzioni.** Gli elettrotensili sono pericolosi se utilizzati da persone inesperte.
 - e) **Eseguire la manutenzione degli elettrotensili e degli accessori. Verificare che le parti mobili dell'elettrotensile funzionino perfettamente e non s'inceppino, che non ci siano pezzi rotti o danneggiati al punto tale da limitare la funzione dell'elettrotensile stesso. Far riparare le parti danneggiate prima d'impiegare l'elettrotensile.** Numerosi incidenti vengono causati da elettrotensili la cui manutenzione è stata effettuata poco accuratamente.
 - f) **Mantenere affilati e puliti gli elettrotensili da taglio.** Gli elettrotensili da taglio curati con particolare attenzione e con taglienti affilati s'inceppano meno frequentemente e sono più facili da condurre.
 - g) **Utilizzare elettrotensili, accessori, attrezzi, ecc. in conformità con le presenti istruzioni. Osservare le condizioni di lavoro ed il lavoro da eseguirsi durante l'impiego.** L'impiego di elettrotensili per usi diversi da quelli consentiti potrà dar luogo a situazioni di pericolo.
 - h) **Mantenere impugnature e superfici di presa asciutte, pulite e prive di olio e grasso.** Impugnature e superfici di presa scivolose non consentono di manipolare e controllare l'utensile in caso di situazioni inaspettate.
- ### 5) MANEGGIO ED IMPIEGO ACCURATO DI ACCUMULATORI
- a) **Caricare l'accumulatore solo ed esclusivamente nei dispositivi di carica consigliati dal produttore.** Per un dispositivo di carica previsto per un determinato tipo di accumulatore, sussiste pericolo di incendio, se utilizzato con un accumulatore di tipo diverso.
 - b) **Utilizzare negli elettrotensili solo ed esclusivamente gli accumulatori previsti allo scopo.** L'uso di accumulatori di tipo diverso potrà dare insorgenza a lesioni e comportare il rischio d'incendi.

- c) **Tenere l'accumulatore non utilizzato lontano da graffette, monete, chiavi, chiodi, viti o da altri oggetti in metallo di piccole dimensioni che potrebbero causare un ponte tra i contatti.** Un eventuale corto circuito tra i contatti dell'accumulatore potrà dare origine a bruciature o ad incendi.
- d) **In caso di impiego sbagliato, potranno insorgere fuoriuscite di liquido dall'accumulatore. Evitarne il contatto. In caso di contatto casuale, sciacquare con acqua. Qualora il liquido dovesse entrare in contatto con gli occhi, chiedere immediato consiglio al medico.** Il liquido fuoriuscito dall'accumulatore potrà causare irritazioni cutanee o bruciature.
- e) **Non utilizzare una batteria ricaricabile, né un elettrotensile, qualora siano danneggiati o siano stati modificati.** Batterie danneggiate o modificate possono comportare problemi non prevedibili, causando incendi, esplosioni e possibili lesioni.
- f) **Non esporre una batteria ricaricabile o un elettrotensile al fuoco o a temperature eccessive.** L'esposizione al fuoco o a temperature superiori a 130°C può causare esplosioni.
- g) **Rispettare tutte le istruzioni di carica e non caricare la batteria ricaricabile o l'elettrotensile fuori dal campo di temperatura indicato nelle istruzioni stesse.** Una carica non corretta, o fuori dal campo di temperatura indicato, può comportare danni alla batteria ed aumentare il pericolo di incendio.

6) ASSISTENZA

- a) **Fare riparare l'elettrotensile solo ed esclusivamente da personale specializzato e solo impiegando pezzi di ricambio originali.** In tale maniera potrà essere salvaguardata la sicurezza dell'elettrotensile.
- b) **Non sottoporre in alcun caso a manutenzione batterie ricaricabili danneggiate.** La manutenzione di batterie ricaricabili andrà effettuata esclusivamente dal produttore o da fornitori di servizi appositamente autorizzati.

ISTRUZIONI DI SICUREZZA PER UTENSILI MULTIFUNZIONE SENZA FILO

- **Tenere l'elettrotensile per le superfici isolate dell'impugnatura qualora venissero effettuati lavori durante i quali l'accessorio potrebbe venire a contatto con cavi elettrici nascosti** (il contatto con un cavo sotto tensione può mettere sotto tensione anche parti metalliche dell'elettrotensile, causando una scossa elettrica)
- **Utilizzare morsetti o altre attrezzature per fissare e sostenere il pezzo di lavorazione a una piattaforma stabile** (tenere il pezzo in lavorazione in mano o stretto al corpo è instabile e può far perdere il controllo dell'utensile)

NOTE GENERALI

- Questo utensile non dev'essere utilizzato da persone di età inferiore ai 16 anni
- Evitate possibili danneggiamenti da viti e chiodi sporgenti; rimuoverli prima di iniziare la lavorazione
- **Non lavorare mai materiali contenenti amianto** (l'amianto è ritenuto materiale cancerogeno)
- Rimuovere la batteria dall'utensile prima di svolgere una regolazione o sostituire un accessorio

- Durante le operazioni di lavoro tenete sempre l'utensile con ambedue le mani ed assumete una sicura posizione di lavoro
- Le polveri di materiali come vernici contenenti piombo, alcune specie di legno, minerali e metallo possono essere nocive (il contatto con queste polveri o la loro inalazione possono causare reazioni allergiche e/o disturbi respiratori all'operatore o ad altre persone presenti sul posto); **indossare una maschera protettiva per la polvere e utilizzare un dispositivo per l'estrazione della polvere se è presente una presa di collegamento**
- Alcuni tipi di polvere sono classificati come cancerogeni (quali le polveri di quercia e faggio) specialmente se associate ad additivi per il trattamento del legno; **indossare una maschera protettiva per la polvere e utilizzare un dispositivo per l'estrazione della polvere se è presente una presa di collegamento**
- Rispettare le istruzioni nazionali riguardanti l'estrazione della polvere per i materiali in lavorazione
- **Usare guanti protettivi quando si cambiano accessori** (il contatto con l'accessorio può causare lesioni)
- Quando riponete l'utensile accertatevi che non ci siano parti in movimento e che il motore sia spento

DURANTE LA SABBIAATURA/IL TAGLIO

- **Tenere lontane le mani dall'area di taglio;** non posizionare per alcun motivo le mani sotto il materiale durante le operazioni di taglio
- **Al fine di rilevare possibili linee di alimentazione nascoste, utilizzare adeguate apparecchiature di ricerca oppure rivolgersi alla locale società erogatrice** (un contatto con linee elettriche può provocare lo sviluppo di incendi e di scosse elettriche; danneggiando linee del gas si può creare il pericolo di esplosioni; penetrando una tubazione dell'acqua si provocano seri danni materiali oppure vi è il pericolo di provocare una scossa elettrica)
- Non usate la lama in caso sia crepata, deformata o non tagliente

DURANTE LA SABBIAATURA

- **Usare l'utensile solo per la sabbiaatura a secco** (la penetrazione di acqua nel motore aumenta il rischio di scossa elettrica)
- Evitare di toccare il foglio mentre questo si trova in movimento
- Non continuare ad usare fogli usurati, stagliati oppure già troppo carichi di materiale levigato
- Nella levigatura del metallo vengono generate scintille; non usare l'aspirapolvere e allontanare altre persone e materiali infiammabili dall'area di lavoro

BATTERIE

- **La batteria fornita è parzialmente caricata** (per garantire la piena capacità della batteria, caricarla completamente con il caricabatteria prima del primo uso dell'elettrotensile)
- **Usare solamente le batterie fornite con questo utensile**
 - Batteria SKIL: BR1*31****
 - Caricabatteria SKIL: CR1*31****
- Non usare a batteria quando è danneggiata; deve essere sostituita immediatamente
- Non smontare la batteria
- Non esporre utensile/batteria alla pioggia
- Temperatura ambientale consentita (utensile/caricabatteria/batteria):
 - in fase di ricarica 4...40°C

- in fase d'esercizio -20...+50°C
- in fase di stoccaggio -20...+50°C

SPIEGAZIONE DEI SIMBOLI PRESENTI SULL'UTENSILE/ BATTERIA

- Questo utensile permette l'utilizzo dei più comuni accessori disponibili, compresi gli accessori base OIS e Starlock in commercio
- Leggere il manuale di istruzioni prima dell'uso
- Le batterie esplodono se gettate nel fuoco, pertanto non bruciare le batterie per alcun motivo
- Riponete utensile/caricabatteria/batteria in luoghi ove non si superino i 50°C
- Non gettare l'elettro utensile e le batterie con i rifiuti domestici

USO

- Ricarica batteria
 - ! leggere le avvertenze di sicurezza e le istruzioni fornite con il caricabatteria**
- Rimozione/installazione della batteria ②
- Indicatore del livello batteria ⑧
 - premere il pulsante dell'indicatore del livello batteria M per visualizzare il livello attuale ⑧a
 - ! se il livello più basso dell'indicatore del livello batteria inizia a lampeggiare dopo aver premuto il pulsante M ⑧b, la batteria è scarica**
 - ! se i 2 livelli dell'indicatore del livello batteria iniziano a lampeggiare dopo aver premuto M ⑧c, la temperatura della batteria non rientra nel campo dei valori di impiego consentiti**
- Spia LED L ⑨
 - La spia LED si accende automaticamente quando si attiva l'interruttore di acceso/spento
 - ! quando la spia LED inizia a lampeggiare, la protezione per la batteria è attivata (vedi sotto)**
- Protezione per la batteria
 - L'utensile si spegne improvvisamente o non può essere acceso, quando
 - **il carico è troppo alto** --> rimuovere il carico e riavviare
 - **la temperatura della batteria non rientra nel campo dei valori di impiego massimi di -20 e +50°C** --> 2 i livelli dell'indicatore del livello batteria iniziano a lampeggiare se si preme il pulsante M ⑧c; attendere finché la batteria non è rientrata nel campo dei valori di impiego consentiti
 - **la batteria è quasi scarica (per proteggerla contro la scarica profonda)** --> l'indicatore del livello batteria mostra un livello batteria basso o un livello batteria lampeggiante ⑧b se si preme il pulsante M; caricare la batteria
 - ! non continuare a premere l'interruttore on/off dopo che l'utensile si è spento automaticamente: ciò potrebbe danneggiare la batteria**
- Cambio di accessori ⑩
 - ! rimuovere la batteria dall'utensile**
 - rimuovere/montare l'accessorio richiesto come illustrato
 - assicurarsi che le aperture dell'accessorio si incastrino nelle linguette della testa dell'utensile (qualsiasi posizione d'incastro possibile)
 - montare l'accessorio con il centro depresso verso il basso

- **verificare che l'accessorio sia fissato saldamente** (accessori fissati male o non saldamente possono allentarsi durante l'uso e causare pericoli)
- Aspirazione della polvere ⑪
 - ! rimuovere la batteria dall'utensile**
 - usare l'adattatore per aspirapolvere J solo quando si utilizza il platorello E
 - montare l'adattatore per aspirapolvere J come illustrato
 - montare l'aspirapolvere
 - ! non usare il dispositivo per l'estrazione della polvere/l'aspirapolvere durante al smerigliatura di metallo**
 - pulire l'adattatore per aspirapolvere J regolarmente per ottenere una raccolta della polvere ottimale
- Montaggio del foglio abrasivo ⑫
 - sbattere il VELCRO del platorello E per rimuovere la polvere prima di applicare il foglio abrasivo
 - montare il foglio abrasivo VELCRO H come illustrato
 - ! per non ostacolare l'aspirazione impiegare solo foglio abrasivo perforato**
 - ! i fori del foglio devono corrispondere ai fori della piastra**
 - ! sostituire il foglio abrasivo consumato per tempo**
 - ! usare l'utensile sempre con l'intera superficie di VELCRO coperta da foglio abrasivo**
- Acceso/spento
 - per accendere/spegnere l'utensile, spingere l'interruttore C ② nella posizione "I"/"O"
 - ! prima che l'accessorio raggiunga il pezzo in lavorazione, l'utensile deve girare a piena velocità**
 - ! prima di spegnere l'utensile, dovreste sollevarlo dal pezzo di lavorazione**
- Regolare la velocità di lavoro ⑬
 - con la rotella D è possibile regolare la frequenza d'oscillazione richiesta, da bassa (1) ad alta (6) (anche mentre l'utensile è in uso)
 - la velocità di esercizio ottimale dipende dal materiale e può essere stabilita mediante prove pratiche
- Tenuta e guida dell'utensile
 - ! durante la lavorazione, impugna l'utensile sempre in corrispondenza della(e) area(e) grigia(e) ⑭**
 - tenere scoperte le feritoie di ventilazione K
 - non applicare troppa pressione sull'utensile (una pressione eccessiva farà riscaldare troppo la punta e ne accorcerà la durata)
- Accessorio di regolazione della profondità (DEPTH STOP) (non incluso di serie) ⑮

CONSIGLIO PRATICO

- Per risultati ottimali su diversi materiali, la tabella ⑯ può essere usata come riferimento per determinare il giusto accessorio (accessori non inclusi di serie)
- Per ulteriori informazioni consultare il sito www.skil.com

MANUTENZIONE / ASSISTENZA

- Questo utensile non è inteso per un uso professionale
- Tenere sempre pulito l'utensile (soprattutto le feritoie di ventilazione K ②)
- ! rimuovere la batteria dall'utensile prima della pulizia**
- Se nonostante gli accurati procedimenti di produzione e di controllo l'utensile dovesse guastarsi, la riparazione va

fatta effettuare da un punto di assistenza autorizzato per gli elettroutensili SKIL

- inviare l'utensile **non smontato** assieme alle prove di acquisto al rivenditore oppure al più vicino centro assistenza SKIL (l'indirizzo ed il disegno delle parti di ricambio dell'utensile sono riportati su www.skil.com)
- Tenere presente che danni causati da sovraccarico o utilizzo improprio sono esclusi dalla garanzia (per la condizioni di garanzia SKIL, visitare il sito www.skil.com o contattare il proprio rivenditore)

TUTELA DELL'AMBIENTE

- **Non gettare l'elettroutensile, le batterie, gli accessori e l'imballaggio con i rifiuti domestici** (solo per Paesi UE)
 - secondo la Direttiva Europea 2012/19/CE sui rifiuti di utensili elettrici ed elettronici e la sua attuazione in conformità alle norme nazionali, gli elettroutensili esausti devono essere raccolti separatamente, al fine di essere reimpiagati in modo eco-compatibile
 - il simbolo ⑦ vi ricorderà questo fatto in fase di smaltimento
- ! **prima dello smaltimento proteggere i terminali delle batterie con nastro pesante per prevenire cortocircuiti**

RUMOROSITÀ / VIBRAZIONE

- Misurato secondo EN 62841, il livello di pressione sonora garantito di questo utensile è di 86,5 dB(A), il livello di rumorosità è di 97,5 dB(A) (incertezza K = 3 dB) e il livello delle vibrazioni di * (somma vettoriale di tre direzioni; incertezza K = 1.5 m/s²)
* durante la levigatura < 2,5 m/s²
- Il livello di emissione delle vibrazioni è stato misurato in conformità a un test standardizzato stabilito dalla norma EN 62841; questo valore può essere utilizzato per mettere a confronto un l'utensile con un altro o come valutazione preliminare di esposizione alla vibrazione quando si impiega l'utensile per le applicazioni menzionate
 - se si utilizza l'utensile per applicazioni diverse, oppure con accessori differenti o in scarse condizioni, il livello di esposizione potrebbe **aumentare** notevolmente
 - i momenti in cui l'utensile è spento oppure è in funzione ma non viene effettivamente utilizzato per il lavoro, possono contribuire a **ridurre** il livello di esposizione
- ! **proteggersi dagli effetti della vibrazione effettuando la manutenzione dell'utensile e dei relativi accessori, mantenendo le mani calde e organizzando i metodi di lavoro**

H

Kefe és vezeték nélküli többfunkciós szerszám 3650

BEVEZETÉS

- Ez a szerszám, fa, műanyag, vakolat, fém és lágy fali csempék fűrészelésére és vágásra alkalmas, valamint használható kis felületek száraz csiszolására és hántolására

- A készülék különösen jól alkalmazható a munkadarab szélén, beszúró vágásokkal és felületekkel egy síkban végzett munkákhoz
- A szerszám nem professzionális használatra készült
- A szerszámmal a legtöbb általánosan elérhető, többfunkciós szerszámhoz készített tartozék is használható, beleértve a jelenlegi OIS és Starlock márkájú tartozékokat is ③
- Olvassa el figyelmesen és őrizz meg a használati utasítást ④

MŰSZAKI ADATOK ①

SZERSZÁMGÉP ELEMEI ②

- A Szorítókar
- B Lefogócsavar alátéttel
- C Be/ki kapcsológomb
- D Sebességszabályzó kerék
- E Csiszoló alátétlap
- F Kórszeletes (segment) fűrészlap
- G Beszúró fűrészlap
- H Csiszolópapír
- J Porszívó illesztőegység
- K Szellőzőnyílások
- L LED-fény
- M Akkumulátor töltöttségi-szint jelző
- N Mélység beállító tartozék *

* NEM STANDARD TARTOZÉK

BIZTONSÁG

ÁLTALÁNOS BIZTONSÁGI ELŐÍRÁSOK AZ ELEKTROMOS KÉZISZERSZÁMOKHOZ

▲ FIGYELMEZTETÉS Olvassa el a szerszámgéphez tartozó biztonsági figyelmeztetéseket, utasításokat, ábrákat és specifikációkat. Az alábbi utasítások figyelmen kívül hagyása elektromos áramütéshez, tűzhöz és/vagy súlyos balesethez vezethet.

Őrizz meg a jövőbeli használatra is valamennyi biztonsági előírást és utasítást.

Az alább alkalmazott "elektromos kéziszerszám" fogalom a hálózati elektromos kéziszerszámokat (hálózati csatlakozó kábelrel) és az akkumulátoros elektromos kéziszerszámokat (hálózati csatlakozó kábel nélkül) foglalja magában.

1) MUNKAHELYI BIZTONSÁG

- a) **Tartsa tisztán és tartsa rendben a munkahelyét.**
Rendetlen munkahelyek vagy megvilágítatlan munkaterületek balesetekhez vezethetnek.
- b) **Ne dolgozzon az elektromos kéziszerszámmal olyan robbanásveszélyes környezetben, ahol éghető folyadékok, gázok vagy porok vannak.** Az elektromos kéziszerszámok szikrákat bocsáthatnak ki, amelyek meggyújthatják a port vagy a gőzöket.
- c) **Tartsa távol a gyerekeket és az idegen személyeket a munkahelytől, ha az elektromos kéziszerszámot használja.** Ha elvonják a figyelmét a munkától, könnyen elvesztheti az uralmát a berendezés felett.

2) ELEKTROMOS BIZTONSÁGI ELŐÍRÁSOK

- a) **A készülék csatlakozó dugójának bele kell illeszkednie a dugaszolóaljzatba. A csatlakozó dugót semmilyen módon sem szabad megváltoztatni. Védőföldeléssel ellátott készülékekkel kapcsolatban ne használjon csatlakozó adaptert.** A változtatás nélküli csatlakozó dugók és a megfelelő dugaszoló aljzatok csökkentik az áramütés kockázatát.
- b) **Ne érjen hozzá földelt felületekhez, mint csövekhez, fűtőtestekhez, kályhákhoz és hűtőszekrényekhez.** Az áramütési veszély megnövekszik, ha a teste le van földelve.
- c) **Tartsa távol az elektromos kéziszerszámot az esőtől és a nedvesség hatásaitól.** Ha víz hatol be egy elektromos kéziszerszámba, ez megnöveli az áramütés veszélyét.
- d) **Ne használja a kábelt a rendeltetésétől eltérő célokra, vagyis a szerszámot soha ne hordozza vagy akassza fel a kábelnél fogva, és soha ne húzza ki a hálózati csatlakozó dugót a kábelnél fogva. Tartsa távol a kábelt hőforrásoktól, olajtól, éles élektől, sarkaktól és mozgó gépalkatrészekről.** Egy megrongálódott vagy csomókkal teli kábel megnöveli az áramütés veszélyét.
- e) **Ha egy elektromos kéziszerszámmal a szabad ég alatt dolgozik, csak a szabadban való használatra engedélyezett hosszabbítót használjon.** A szabadban való használatra engedélyezett hosszabbító használata csökkenti az áramütés veszélyét.
- f) **Ha nem lehet elkerülni az elektromos kéziszerszám nedves környezetben való használatát, alkalmazzon egy földzárlat megszakítót.** Egy földzárlat megszakító alkalmazása csökkenti az áramütés kockázatát.

3) SZEMÉLYI BIZTONSÁGI ELŐÍRÁSOK

- a) **Munka közben mindig figyeljen, ügyeljen arra, amit csinál, és meggondoltan dolgozzon az elektromos kéziszerszámmal.** Ha fáradt, ha kábítószerek vagy alkohol hatása alatt áll, vagy orvosságokat vett be, ne használja a berendezést. A berendezéssel végzett munka közben már egy pillanatnyi figyelmetlenség is komoly sérülésekhez vezethet.
- b) **Viseljen személyi védőfelszerelést és mindig viseljen védőszemüveget.** A személyi védőfelszerelések, mint porvédő álarc, csúszásbiztos védőcipő, védősapka és fülvédő használata az elektromos kéziszerszám használata jellegének megfelelően csökkenti a személyes sérülések kockázatát.
- c) **Kerülje el a készülék akaratlan üzembe helyezését.** Győződjön meg arról, hogy az elektromos kéziszerszám ki van kapcsolva, mielőtt bedugná a csatlakozó dugót a dugaszolóaljzatba, csatlakoztatná az akkumulátor-csomagot, és mielőtt felvenné és vinni kezdené az elektromos kéziszerszámot. Ha az elektromos kéziszerszám felemelése közben az újjat a kapcsolón tartja, vagy ha a készüléket bekapcsolt állapotban csatlakoztatja az áramforráshoz, ez balesetekhez vezethet.
- d) **Az elektromos kéziszerszám bekapcsolása előtt okvetlenül távolítsa el a beállított szerszámokat vagy csavarkulcsokat.** Az elektromos kéziszerszám forgó részeiben felejtett beállított szerszám vagy csavarkulcs sérüléseket okozhat.
- e) **Ne becsülje túl önmagát. Kerülje el a normálistól eltérő testtartást, ügyeljen arra, hogy mindig biztosan álljon és az egyensúlyát megtartsa.** Így az elektromos kéziszerszám felett váratlan helyzetekben is jobban tud uralkodni.
- f) **Viseljen megfelelő ruhát. Ne viseljen bő ruhát vagy ékszereket. Tartsa távol a haját és a ruháját a mozgó részekről.** A bő ruhát, az ékszereket és a hosszú haját a mozgó alkatrészek magukkal rántathatják.
- g) **Ha az elektromos kéziszerszámra fel lehet szerelni a por elszívásához és összegyűjtéséhez szükséges berendezéseket, ellenőrizze, hogy azok megfelelő módon hozzá vannak kapcsolva a készülékhez és rendeltetésüknek megfelelően működnek.** A porgyűjtő berendezések használata csökkenti a munka során keletkező por veszélyes hatását.
- h) **Ne hagyja, hogy az elektromos kéziszerszám gyakori használata során szerzett tapasztalatok olyan önelégültté tegyék, hogy figyelmen kívül hagyja az idevonatkozó biztonsági alapelveket.** Egy gondatlan művelet egy másodperc törtrésze alatt súlyos sérüléseket okozhat.

4) AZ ELEKTROMOS KÉZISZERSZÁMOK GONDOS KEZELÉSE ÉS HASZNÁLATA

- a) **Ne terhelje túl az elektromos kéziszerszámot. A munkájához csak az arra szolgáló elektromos kéziszerszámot használja.** Egy alkalmas elektromos kéziszerszámmal a megadott teljesítménytartományon belül jobban és biztonságosabban lehet dolgozni.
- b) **Ne használjon olyan elektromos kéziszerszámot, amelynek a kapcsolója elromlott.** Egy olyan elektromos kéziszerszám, amelyet nem lehet sem be-, sem kikapcsolni, veszélyes és meg kell javíttatni.
- c) **Húzza ki a csatlakozó dugót a dugaszolóaljzatból és/vagy távolítsa el az akkumulátor-csomagot (ha az leválasztható) az elektromos kéziszerszámtól, mielőtt az elektromos kéziszerszámon beállítási munkákat végez, tartozékokat cserél vagy a szerszámot tárolásra elteszi.** Ez az elővigyázatossági intézkedés megátalja a szerszám akaratlan üzembe helyezését.
- d) **A használaton kívüli elektromos kéziszerszámokat olyan helyen tárolja, ahol azokhoz gyerekek ne férhess nek hozzá. Ne hagyja, hogy olyan személyek használják az elektromos kéziszerszámot, akik nem ismerik a szerszámot, vagy nem olvasták el ezt az útmutatót.** Az elektromos kéziszerszámok veszélyesek, ha azokat gyakorlatlan személyek használják.
- e) **Az elektromos kéziszerszámot és tartozékait gondosan tartsa karban.** Ellenőrizze, hogy a mozgó alkatrészek kifogástalanul működnek-e, nincsenek-e beszorulva, és nincsenek-e eltörve vagy megrongálódva olyan alkatrészek, amelyek hatással lehetnek az elektromos kéziszerszám működésére. A megrongálódott részeket a készülék használata előtt javíttassa meg. Sok olyan baleset történik, amelyet az elektromos kéziszerszám nem kielégítő karbantartására lehet visszavezetni.
- f) **Tartsa tisztán és éles állapotban a vágószerszámokat.** Az éles vágóelekekkel rendelkező és gondosan ápolat vágószerszámok ritkábban ékelődnek be és azokat könnyebben lehet vezetni és irányítani.

- g) **Az elektromos kéziszerszámokat, tartozékokat, betétszerszámokat stb. csak ezen előírásoknak használja. Vegye figyelembe a munkafeltételeket és a kivitelezendő munka sajátosságait.** Az elektromos kéziszerszám eredeti rendeltetésétől eltérő célokra való alkalmazása veszélyes helyzetekhez vezethet.
- h) **Tartsa szárazon, tisztán és olaj- és zsírmert állapotban a fogantyúkat és markoló felületeket.** A csúszós fogantyúk és markoló felületek váratlan helyzetekben lehetetlenné teszik az elektromos kéziszerszám biztonságos kezelését és irányítását.
- 5) AZ AKKUMULÁTOROS KÉZISZERSZÁMOK GONDOS KEZELÉSE ÉS HASZNÁLATA**
- a) **Az akkumulátort csak a gyártó által ajánlott töltőkészülékekben töltsse fel.** Ha egy bizonyos akkumulátortípus feltöltésére szolgáló töltőkészülékben egy másik akkumulátort próbál feltölteni, tűz keletkezhet.
- b) **Az elektromos kéziszerszámban csak az ahhoz tartozó akkumulátort használja.** Más akkumulátorok használata személyi sérüléseket és tüzet okozhat.
- c) **Tartsa távol a használaton kívüli akkumulátort irodai kapcsolóktól, pénzérméktől, kulcsoktól, szögektől, csavaroktól és más kisméretű fémtárgyaktól, amelyek áthidalhatják az érintkezőket.** Az akkumulátor érintkezői közötti rövidzárlat égési sérüléseket vagy tüzet okozhat.
- d) **Hibás alkalmazás esetén az akkumulátorból folyadék léphet ki. Kerülje el az érintkezést a folyadékkal. Ha véletlenül mégis érintkezésbe jutott az akkumulátorfolyadékkal, azonnal öblítse le vízzel az érintett felületet. Ha a folyadék a szemébe jutott, keresen fel ezen kívül egy orvost.** A kilépő akkumulátorfolyadék irritációkat vagy égéses bőrsérüléseket okozhat.
- e) **Sohase használjon egy akkumulátor csomagot, ha az megrongálódott, vagy ha változtatásokat hajtottak végre rajta.** A megrongálódott vagy megváltoztatott akkumulátorok előreláthatatlan módon viselkedhetnek, amely tűzhöz, robbanáshoz vagy sérülésveszélyhez vezet.
- f) **Ne tegye ki az akkumulátor csomagokat tűz, vagy extrém hőmérsékletek hatásának.** Ha az akkumulátor tűznek, vagy 130°C-ot meghaladó hőmérsékletnek teszi ki, ez robbanást okozhat.
- g) **Tartsa be valamennyi töltési előírást és ne töltsse fel az akkumulátort, ha annak a hőmérséklete az utasításokban megadott hőmérséklet tartományon kívül van.** Az akkumulátor nem megfelelő módon, vagy a megadott hőmérséklet tartományon kívüli feltöltése megrongálhatja az akkumulátort és megnövelheti a tűzveszélyt.
- 6) SZERVIZ**
- a) **Az elektromos kéziszerszámot csak szakképzett személyzet és csak eredeti pótalkatrészek felhasználásával javíthatja.** Ez biztosítja, hogy az elektromos kéziszerszám biztonságos szerszám maradjon.
- b) **Sohase szervizeljen megrongálódott akkumulátor csomagokat.** Az akkumulátor csomagokat csak a gyártónak, vagy az erre feljogosított szolgáltatóknak szabad szervizelniük.

BIZTONSÁGI UTASÍTÁSOK AKKUMULÁTOROS, TÖBBFUNKCIÓS SZERSZÁMGÉPEKHEZ

- **Az elektromos kéziszerszámot csak a szigetelt fogantyúfelületeknél fogva tartsa, ha olyan munkát végez, amelynek során a betétszerszám feszültség alatt álló, kívülről nem látható vezetékhez érhet** (ha a berendezés egy feszültség alatt álló vezetékhez ér, az elektromos kéziszerszám fémmrészei szintén feszültség alá kerülhetnek és áramütéshez vezethetnek)
- **Szorítóval vagy más praktikus módon rögzítse, és támassza meg a munkadarabot egy stabil tartóállványon** (ha csak a kezével tartja vagy a testéhez szorítja a munkadarabot, elveszitheti a stabilitást, valamint az uralmat a gép felett)

ÁLTALÁNOS TUDNIVALÓK

- A készüléket csak 16 éves feletti személyek használják
- Ügyeljen arra, hogy a munkadarabban lévő csavar, szög vagy hasonló sérüléseket ne okozhasson; a munka megkezdése előtt eltávolítandó
- **Ne munkáljon meg a berendezéssel azbeszttel tartalmazó anyagokat** (az azbeszttel rákkeltő hatása van)
- Vegye ki az akkumulátort a szerszámot, mielőtt beállításokat végezne vagy tartozékcseré előtt
- Tartsa mindig két kézzel, erősen a gépet, s válasszon stabil és biztonságos
- például az ölmot, néhány fafajtát, ásványi anyagokat és fémeket tartalmazó festék) káros lehet (a por érintése vagy belégzése allergiás reakciókat és/vagy légzőszervi betegségeket okozhat a kezelő, illetve a közelben állók esetében); **viseljen pormaszkot és amennyiben csatlakoztatható, dolgozzon porszivó berendezéssel**
- Bizonyos porfajták rákkeltő besorolással rendelkeznek (ilyen például a tölgly- és a bükkfa pora), különösen a fa kondicionálására szolgáló adalékokkal együtt; **viseljen pormaszkot és amennyiben csatlakoztatható, dolgozzon porszivó berendezéssel**
- Kövesse a por kezelésével kapcsolatos helyi előírásokat azon termékkel kapcsolatosan, amellyel dolgozni kíván
- **Tartozékok cseréjéhez használjon védőkesztyűt** (a tartozék érintése sérülésekhez vezethet)
- A gépet soha ne hagyja bekapcsolott állapotban, ha már nem dolgozik vele

FŰRÉSZELESNÉLVÁGÁSNA

- **Kezét tartsa távol a vágófelülettől;** vágás közben soha se nyúljon semmilyen okból az anyag alá
- **A rejtett vezetékek felkutatásához használjon alkalmas fémkereső készüléket, vagy kérje ki a helyi energiaellátó vállalat tanácsát** (ha egy elektromos vezetékeket a berendezéssel megérint, ez tűzhöz és áramütéshez vezethet; egy gázvezeték megrongálása robbanást eredményezhet; egy vízvezetékbe való behatolás anyagi károkhhoz és áramütéshez vezethet)
- Ne használjon repedt, deformált vagy tompa fűrészlapot

CSISZOLÁSNA

- **A gépet csak száraz csiszolásra használja** (víz bejutása a gépbe megnöveli az elektromos áramütés kockázatát)
- Ne nyúljon a mozgásban lévő csiszoló papír
- Ne üzemeltesse a csiszológépet kopott, szakadt vagy erősen szoruló csiszoló papírral
- Fém csiszolásakor szikra keletkezik; ne használjon porszivó; ügyeljen arra, hogy senki ne tartózkodjon a munkaterületen, és ne legyen a közelben gyúlékony anyag

AKKUMULÁTOR

- **A biztosított akkumulátor részlegesen töltött** (az akkumulátor teljes kapacitásának biztosításához teljes töltöttségi állapotig töltsse azt a kéziszerszám első használatát megelőzően)
- **Csak a következő akkumulátorokkal és töltőkkel használja a szerszámot**
 - SKIL akkumulátor: BR1*31****
 - SKIL töltő: CR1*31****
- A hibás akkumulátor ne használja, hanem cserélje ki
- Ne szerelje szét az akkumulátort
- A gépet/akkumulátort óvja az esőtől
- Megengedett környezeti hőmérséklet (szerszám/töltő készülék/akkumulátor):
 - a töltés során 4...40°C
 - az üzemeltetés során -20...+50°C
 - a tárolás során -20...+50°C

A KÉSZÜLÉKEN/AKKUMULÁTORON TALÁLHATÓ SZIMBÓLUMOK MAGYARÁZATA

- ③ A szerszámmal a legtöbb általánosan elérhető, többfunkciós szerszámhoz készített tartozék is használható, beleértve a jelenlegi OIS és Starlock márkájú alaptartozékokat is
- ④ Használat előtt olvassa el a használati utasítást
- ⑤ Ha az akkumulátorok tűzbe kerülnek, akkor felrobbanhatnak, ezért semmilyen okból ne égesse el az akkumulátorokat
- ⑥ A gépet/töltőkészüléket/akkumulátort ne tárolja 50°C feletti helyiségben
- ⑦ Ne dobja az elektromos kéziszerszámokat és elemek a háztartási szemétkébe

KEZELÉS

- Az akkumulátor töltése
! olvassa el a töltővel kapott biztonsági figyelmeztetéseket és utasításokat
- Akkumulátorok eltávolítása/telepítése ②
- Akkumulátor töltöttségi-szint jelző ⑧
 - nyomja meg az akkumulátor töltöttségi szintjét jelző gombot M az aktuális akkumulátorszint kijelzéséhez ⑧a
 - ! amikor a M ⑧b gomb megnyomása után a legalacsonyabb akkumulátor töltöttség jelző villog, az akkumulátor lemerült**
 - ! ha a 2 akkumulátor töltöttségi szintet jelző indikátor elkezd villogni a M ⑧c gomb megnyomása után, az akkumulátor hőmérséklete a megengedett működési tartományon kívül van**
- LED-fény L ⑨
 - A LED égő automatikusan felvilág, ha megnyomja a ki/bekapcsoló gombot
 - ! ha a LED égő elkezd villogni, az akkumulátorkímélés életbe lép (lásd az alábbiakban)**
- Az akkumulátor védelme
 - A gép hirtelen kikapcsol vagy nem lehet visszakapcsolni, ha
 - **a teher túl nagy** --> távolítsa el a terhet és kezdje újra
 - **az akkumulátor hőmérséklete nem a megengedett -20 és +50 °C működési tartományon belül van** --> a 2 akkumulátor töltöttségi szintet jelző indikátor elkezd villogni a M ⑧c gomb megnyomása után; várja meg, míg az akkumulátor hőmérséklete ismét a megengedett működési tartományon belül van

- az akkumulátor majdnem teljesen lemerült/üres (mély kisülés elleni védelem) --> ⑧b alacsony akkumulátor töltöttséget vagy villogó akkumulátor töltöttséget jelez az indikátor, ha megnyomja a M gombot; töltsse fel az akkumulátort
- ! ha a készülék automatikusan kikapcsolt, ne próbálja nyomogatni a be-/kikapcsoló gombot, mert az akkumulátor megsérülhet**
- A tartozékok cseréje ⑩
 - ! vegye ki az akkumulátort a szerszámot**
 - szerelje le/szerelje fel a kívánt tartozékot az ábra szerint
 - gondoskodjon arról, hogy a tartozék nyílásai bekapcsolódjanak a szerszámfej füleibe (bármilyen bekattanó helyzet lehetséges)
 - szerelje fel a tartozékot úgy, hogy a benyomott középpont lefelé mutasson
 - **ellenőrizze a tartozék szoros felfekvését** (helytelen vagy nem biztonságosan rögzített tartozékok kilazulhatnak működés közben, és veszélyt okozhatnak)
- Por elszívás ⑪
 - ! vegye ki az akkumulátort a szerszámot**
 - a porszívó-illesztőegységet J csak akkor használja, ha a csiszolóappal E dolgozik
 - az J porszívó illesztőegységet szerelje fel az ábrán látható módon
 - dugja be a porszívót
 - ! ne használjon porszívó eszközt/porszívót fém csiszolásakor**
 - a porszívó-illesztőegység rendszeres J ürítése segíti az optimális porgyűjtést
- Csiszolópapír rögzítés ⑫
 - tisztítsa le a port a csiszolótalpon E lévő VELCRO anyagról a csiszolópapír rögzítése előtt
 - helyezze fel a VELCRO csiszolópapírt H az ábra alapján
 - ! a porelszíváshoz perforált, lyukacsos csiszolópapírra van szüksége**
 - ! a csiszolópapíron lévő perforálásoknak a csiszolótalpon lévő lyukakkal egybe kell esniük**
 - ! az elhasznált csiszolópapírt időben ki kell cserélni**
 - ! a készüléket mindig úgy használja, hogy a VELCRO felületet fedje a csiszolópapír**
- Be/Ki
 - a szerszám ki-/bekapcsolása a C ② kapcsoló "I"/"O" pozícióba állításával történik
 - ! mielőtt a készüléket a munkadarabra/ba vezetné, várja meg, amíg a motor a maximális fordulatszámot eléri**
 - ! kikapcsolás előtt készülékét távolítsa el a munkadarabtól**
- A megmunkálási sebesség beállítása ⑬
 - a D kerék segítségével állítható be fokozatmentesen a legnagyobb fordulatszám, az alacsonytól (1) a legmagasabbig (6) (a szerszám működése közben is állítható)
 - az optimális sebesség az anyagtól függ, és próbálkozásokkal határozható meg
- A gép vezetése és tartása
 - ! munka közben mindvégig tartsa gépet a szürke színű markolati terület(ek)en ⑭**
 - a szellőzőnyílásokat K mindig tartsa szabadon
 - ne nyomja túlságosan a szerszámot (a túl erős nyomás

túlzott hőterheléssel jár, és megrövidítheti a marószár élettartamát)

- Mélység beállító tartozék (DEPTH STOP) **(nem standard tartozék)** ¹⁵

HASZNÁLAT

- A különböző anyagok megmunkálása esetén, a legjobb eredmény érdekében használja a táblázatot ¹⁶ a megfelelő tartozék kiválasztásához **(a tartozékok nincsenek mellékelve)**
- A további információkért lásd a www.skil.com oldalt

KARBANTARTÁS / SZERVIZ

- A szerszám nem professzionális használatra készült
- Mindig tartsa tisztán a gépet (különös tekintettel a szállóöngyűlásokra K ²)
! távolítsa el az akkumulátort a tisztítás előtt
- Ha a gép a gondos gyártási és ellenőrzési eljárás ellenére egyszer mégis meghibásodna, akkor a javítással csak SKIL elektromos kéziszerszám-műhely ügyfélszolgálatát szabad megbízni
 - küldje az **összeszerelt** gépet a vásárlást bizonyító számlával együtt a kereskedő vagy a legközelebbi SKIL szervizállomás címére (a címlista és a gép szervizdiagramja a www.skil.com címen található)
- Vegye figyelembe, hogy a garancia nem fedi le a túlterhelés és a gép helytelen használata miatt okozott károkat (a SKIL garanciális feltételeit elolvashatja a www.skil.com oldalon, vagy kérdezze meg kereskedőjét)

KÖRNYEZET

- **Az elektromos kéziszerszámokat, elemek, tartozékokat és csomagolást ne dobja a háztartási szemétkébe** (csak EU-országok számára)
 - a használt villamos és elektronikai készülékekről szóló 2012/19/EK iránylevél és annak a nemzeti jogba való átültetése szerint az elhasznált elektromos kéziszerszámokat külön kell gyűjteni, és környezetbarát módon újra kell hasznosítani
 - erre emlékeztet a ⁷ jelzés, amennyiben felmerül az intézkedésre való igény
- **! az akkumulátor hatástalanítása előtt az akkumulátor végét erős szalaggal biztosítsuk, hogy a kúszóáramokat kiküszöbölhessük**

ZAJ / REZGÉS

- Az EN 62841-es szabványnak megfelelően végzett mérés szerint a szerszám hangnyomása 86,5 dB(A), hangerőszintje 97,5 dB(A) (bizonytalanság K = 3 dB), a vibráció pedig * (háromtengelyű vektor összege; bizonytalanság K = 1,5 m/s²)
*** csiszolás közben < 2,5 m/s²**
- A rezgés-kibocsátási szint mérése az EN 62841 szabványban meghatározott szabványosított teszttel összhangban történt; ez egy eszköznek egy másik eszközzel történő összehasonlítására, illetve a rezgésnek való kitettség előzetes felmérésére használható fel az eszköznek az említett alkalmazásokra történő felhasználása során
 - az eszköznek eltérő alkalmazásokra, vagy eltérő, illetve rosszul karbantartott tartozékokkal történő felhasználása jelentősen **emelheti** a kitettség szintjét

- az idő, amikor az eszköz ki van kapcsolva, vagy amikor ugyan működik, de ténylegesen nem végez munkát, jelentősen **csökkentheti** a kitettség szintjét
! az eszköz és tartozékai karbantartásával, kezének melegen tartásával, és munkavégzésének megszervezésével védje meg magát a rezgések hatásaitól

CE

Bezkontaktní bezdrátový multifunkční nástroj **3650**

ÚVOD

- Tento nástroj je určen k řezání dřeva, plastů, omítky, kovů a měkkých obkládaček a též k broušení za sucha a zaškrabávání malých ploch
- Je zvláště vhodné pro práce blízko okrajů, zapichovací řezání a zarovnávání do roviny
- Tento nástroj není určen k profesionálnímu použití
- Tento nástroj lze použít s většinou běžně dostupného příslušenství pro více nástrojů, včetně existujících příslušenství OIS a Starlock ³
- Tento návod s pokyny si pečlivě přečtěte a uschovejte ⁴

TECHNICKÁ DATA ¹

SOUČÁSTI NÁSTROJE ²

- A** Upínací páčka
 - B** Upínací šroub s podložkou
 - C** Spínač "zapnuto/vypnuto"
 - D** Kolečko pro výběr rychlosti
 - E** Pískovací podložka
 - F** Segmentový pilový list
 - G** Zapichovací pilový list
 - H** Brusný papír
 - J** Adaptér vysavače
 - K** Větrací šterbiny
 - L** LED-kontrolka
 - M** Indikátor akumulátoru
 - N** Příslušenství k nastavení hloubky *
- * NENÍ STANDARDNÍ SOUČÁSTÍ

BEZPEČNOST

OBECNÉ BEZPEČNOSTNÍ POKYNY PRO ELEKTRONÁŘADÍ

VAROVÁNÍ Přečtěte si veškerá bezpečnostní upozornění, pokyny, obrázky a technické údaje, které jsou s tímto elektrickým nástrojem dodávány. Nedodržení všech níže uvedených pokynů může vést k úrazu elektrickým proudem, požáru a/nebo vážnému zranění.

Všechny pokyny a výstrahy uchvejte pro budoucí potřebu.

Ve varovných upozorněních použitý pojem "elektronářadí" se vztahuje na elektronářadí provozované na el. síti (se síťovým kabelem) a na elektronářadí provozované na akumulátoru (bez síťového kabelu).

1) BEZPEČNOST PRACOVNÍHO MÍSTA

- a) **Udržujte Vaše pracovní místo čisté a uklizené.** Nepořádek nebo neosvětlené pracovní oblasti mohou vést k úrazům.
- b) **Se strojem nepracujte v prostředích ohrožených explozí, kde se nacházejí hořlavé kapaliny, plyny nebo prach.** Elektronářadí vytváří jiskry, které mohou prach nebo páry zapálit.
- c) **Děti a jiné osoby udržujte při použití elektronářadí daleko od Vašeho pracovního místa.** Při rozptýlení můžete ztratit kontrolu nad strojem.

2) ELEKTRICKÁ BEZPEČNOST

- a) **Připojovací zástrčka stroje musí lícovat se zásuvkou. Zástrčka nesmí být žádným způsobem upravena. Společně se stroji s ochranným uzemněním nepoužívejte žádné adaptérové zástrčky.** Neupravené zástrčky a vhodné zásuvky snižují riziko elektrického úderu.
- b) **Zabraňte kontaktu těla s uzemněnými povrchy, jako např. potrubí, topení, sporáky a chladničky.** Je-li Vaše tělo uzemněno, existuje zvýšené riziko elektrického úderu.
- c) **Chraňte stroj před deštěm a vlhkem.** Vniknutí vody do elektrického stroje zvyšuje nebezpečí elektrického úderu.
- d) **Dbejte na účel kabelu, nepoužívejte jej k nošení či zavěšení stroje nebo vytažení zástrčky ze zásuvky. Udržujte kabel daleko od tepla, oleje, ostrých hran nebo pohyblivých dílů stroje.** Poškozené nebo spletené kabely zvyšují riziko elektrického úderu.
- e) **Pokud pracujete s elektronářadím venku, použijte pouze takové prodlužovací kabely, které jsou schváleny i pro venkovní použití.** Použití prodlužovacího kabelu, jež je vhodný pro použití venku, snižuje riziko elektrického úderu.
- f) **Pokud se nelze vyhnout provozu elektronářadí ve vlhkém prostředí, použijte ochranný jistič.** Nasazení ochranného jističe snižuje riziko úderu elektrickým proudem.

3) BEZPEČNOST OSOB

- a) **Buďte pozorní, dávejte pozor na to, co děláte a přistupujte k práci s elektronářadím rozumně. Stroj nepoužívejte pokud jste unavení nebo pod vlivem drog, alkoholu nebo léků.** Moment nepozornosti při použití elektronářadí může vést k vážným poraněním.
- b) **Noste osobní ochranné pomůcky a vždy ochranné brýle.** Nošení osobních ochranných pomůcek jako maska proti prachu, bezpečnostní obuv s protiskluzovou podrážkou, ochranná přilba nebo sluchátka, podle druhu nasazení elektronářadí, snižují riziko poranění.
- c) **Zabraňte neúmyslnému uvedení do provozu. Přesvědčte se, že je elektronářadí vypnuté dříve než jej uchopíte, poneseťe či připojíte na zdroj proudu a/ nebo akumulátor.** Máte-li při nošení elektronářadí prst na spínači nebo pokud stroj připojíte ke zdroji proudu zapnutý, pak to může vést k úrazům.
- d) **Než stroj zapnete, odstraňte seřizovací nástroje nebo šroubovák.** Nástroj nebo klíč, který se nachází v otáčivém dílu stroje, může vést k poranění.
- e) **Nepřeceňujte se. Zajistěte si bezpečný postoj a vždy udržujte rovnováhu.** Tím můžete stroj v neočekávaných situacích lépe kontrolovat.
- f) **Noste vhodný oděv. Nenoste žádný volný oděv nebo šperky. Vlasy a oděv udržujte daleko od**

pohyblujících se dílů. Volný oděv, šperky nebo dlouhé vlasy mohou být zachyceny pohyblivými díly.

- g) **Lze-li namontovat odsávací či zachycující přípravy, přesvědčte se, že jsou připojeny a správně použity.** Použití odsávání prachu může snížit ohrožení prachem.

- h) **Dbejte na to, abyste při častém používání nářadí nebyli méně ostražití a nezapomínali na bezpečnostní zásady.** Nedbalé ovládání může způsobit těžké poranění za zlomek sekundy.

4) SVĚDOMITÉ ZACHÁZENÍ A POUŽÍVÁNÍ ELEKTRONÁŘADÍ

- a) **Stroj nepřetěžujte. Pro svou práci použijte k tomu určený stroj.** S vhodným elektronářadím budete pracovat v dané oblasti výkonu lépe a bezpečněji.
 - b) **Nepoužívejte žádné elektronářadí, jehož spínač je vadný.** Elektronářadí, které nelze zapnout či vypnout je nebezpečné a musí se opravit.
 - c) **Než provedete seřízení stroje, výměnu dílů příslušenství nebo stroj odložíte, vytáhněte zástrčku ze zásuvky a/nebo odstraňte odpojitelny akumulátor.** Toto preventivní opatření zabrání neúmyslnému zapnutí stroje.
 - d) **Uchovávejte nepoužívané elektronářadí mimo dosah dětí. Nenechte stroj používat osobám, které se strojem nejsou seznámeny nebo nečetly tyto pokyny.** Elektronářadí je nebezpečné, je-li používáno nezkušenými osobami.
 - e) **Pečujte o elektronářadí a příslušenství svědomitě. Zkontrolujte, zda pohyblivé díly stroje bezvadně fungují a nevzpříčují se, zda díly nejsou zlomené nebo poškozené tak, že je omezena funkce stroje. Poškozené díly nechte před nasazením stroje opravit.** Mnoho úrazů má příčinu ve špatně udržovaném elektronářadí.
 - f) **Řezné nástroje udržujte ostré a čisté.** Pečlivě ošetřované řezné nástroje s ostrými řeznými hranami se méně vzpříčují a dají se lehčeji vést.
 - g) **Používejte elektronářadí, příslušenství, nasazovací nástroje apod. podle těchto pokynů. Respektujte přítom pracovní podmínky a prováděnou činnost.** Použití elektronářadí pro jiné než určující použití může vést k nebezpečným situacím.
 - h) **Udržujte rukojeti a úchytné plochy suché, čisté a bez oleje a maziva.** Kluzké rukojeti a úchytné plochy neumožňují bezpečnou manipulaci a ovládání nářadí v neočekávaných situacích.
- ### 5) SVĚDOMITÉ ZACHÁZENÍ A POUŽÍVÁNÍ AKUMULÁTOROVÉHO NÁŘADÍ
- a) **Akumulátory nabíjejte pouze v nabíječce, která je doporučena výrobcem.** Pro nabíječku, která je vhodná pro určitý druh akumulátorů, existuje nebezpečí požáru, je-li používána s jinými akumulátory.
 - b) **Do elektronářadí používejte pouze k tomu určené akumulátory.** Použití jiných akumulátorů může vést k poraněním a požárům.
 - c) **Nepoužívaný akumulátor uchovávejte mimo kancelářské sponky, mince, klíče, hřebíky, šrouby nebo jiné drobné kovové předměty, které mohou způsobit přemostění kontaktů.** Zkrat mezi kontakty akumulátoru může mít za následek opálení nebo požár.
 - d) **Při špatném použití může z akumulátoru vytéci kapalina.** Zabraňte kontaktu s ní. Při náhodném kontaktu opláchněte místo vodou. Pokud kapalina

vnikne do očí, navštivte navíc i lékaře. Vytékající akumulátorová kapalina může způsobit podráždění pokožky nebo popálení.

- e) **Nepoužívejte akumulátor nebo nářadí, které jsou poškozené nebo upravené.** Poškozené nebo upravené akumulátory se mohou chovat nepředvídaně a způsobit požár, výbuch nebo poranění.
 - f) **Nevystavujte akumulátor nebo nářadí ohni nebo nadměrné teplotě.** Vystavení ohni nebo teplotě nad 130°C může způsobit výbuch.
 - g) **Dodržujte všechny pokyny pro nabíjení a nenabíjejte akumulátor nebo nářadí mimo teplotní rozsah uvedený v pokynech.** Nesprávné nabíjení nebo nabíjení při teplotách mimo uvedený rozsah může poškodit akumulátor a zvýšit riziko požáru.
- 6) SERVIS**
- a) **Nechte Váš stroj opravit pouze kvalifikovaným odborným personálem a pouze s originálními náhradními díly.** Tím bude zajištěno, že bezpečnost stroje zůstane zachována.
 - b) **Nikdy neprovádějte servis poškozených akumulátorů.** Servis akumulátorů by měl provádět pouze výrobce nebo autorizovaná opravna.

BEZPEČNOSTNÍ POKYNY PRO BEZDRÁTOVÉ MULTIFUNKČNÍ NÁŘADÍ

- **Pokud provádíte práce, při kterých může nasazovací nástroj zasáhnout skrytá elektrická vedení, pak držte elektronářadí na izolovaných plochách rukojeti** (kontakt s vedením pod napětím může přivést napětí i na kovové díly elektronářadí a vést k úderu elektrickým proudem)
- **Pomocí svorek nebo jiným vhodným způsobem upevněte obráběný díl na stabilní podložku** (pokud jej budete při práci držet v ruce nebo opřeny o tělo, bude nestabilní a můžete nad ním ztratit kontrolu)

OBECNĚ

- Tento nástroj nesmí používat osoby mladší 16 let
- Vrtáčku nepoužívejte je-li navlhla a nepracujte v blízkosti snadno zápalných nebo výbušných materiálů; před zahájením práce je odstraňte
- **Nepracovávajte žádný materiál obsahující azbest** (azbest je karcinogenní)
- Před nastavením nebo výměnou příslušenství vždy vytáhněte akumulátor
- Při práci nástroj držte vždy oběma rukama a pevně se postavte
- Prach z látek, jako jsou barvy obsahující olovo, některé druhy dřeva, minerály a kovy, může být škodlivý (kontakt s prachem nebo jeho vdechnutí může způsobit alergickou reakci a/nebo vyvolat respirační choroby u obsluhy nebo přihlížejících); **nošte protiprachovou masku a pracujte se zařízením na odsávání prachu, pokud je možné jej připojit**
- Některé druhy prachu jsou klasifikovány jako karcinogenní (například dubový a bukový prach) zejména ve spojení s přísadami pro úpravu dřeva; **nošte protiprachovou masku a pracujte se zařízením na odsávání prachu, pokud je možné jej připojit**
- Dodržujte stanovená nařízení pro práci v prašném prostředí
- **Při výměně příslušenství používejte ochranné rukavice** (kontakt s příslušenstvím může vést ke zranění)

- Jakmile se hodláte vzdát od nářadí, měl byste ho vypnout a vyčkat, dokud se pohyblivé části nezastaví

PŘI ŘEZÁNÍ

- **Nedotýkejte se řezané oblasti;** během řezání z žádného důvodu nikdy nesahejte pod materiál
- **Použijte vhodné hledací přístroje k vyhledání skrytých přírodních vedení nebo přivězte místní dodavatelskou společnost** (kontakt s el. vedením může vést k požáru a elektrickému úderu; poškození plynového vedení může vést k explozi; proniknutí do vodovodního potrubí může způsobit věcné škody nebo elektrický úder)
- Nepoužívejte pilu, je-li list prasklý, zdeformovaný nebo matný

PŘI PÍSKOVÁNÍ

- **Nářadí používejte pouze k suchému pískování** (vniknutí vody do nářadí zvyšuje riziko úrazu elektrickým proudem)
- Nedotýkejte se pohyblivého se brusného papíru
- Opatřebovaný, natřený nebo zanesený brusný papír vždy ihned vyměňte
- Při broušení vznikají jiskry; nepoužívejte odsávání a pracoviště udržujte čisté a nepouštějte k němu neoprávněné osoby

AKUMULÁTORY

- **Dodáváný akumulátor je částečně nabitý** (v zájmu zajištění maximální kapacity akumulátoru jej před prvním použitím vašeho elektronářadí úplně dobijte v nabíječce)
- **Používejte pouze následující akumulátory a nabíječky dodávané s tímto nástrojem**
 - Akumulátor SKIL: BR1*31****
 - Nabíječka SKIL: CR1*31****
- Poškozený akumulátor nepoužívejte, nahraďte jej novým
- Akumulátor nerozebírejte
- Nevystavujte nástroj/akumulátor dešti
- Povolena teplota prostředí (nářadí/nabíječka/akumulátor):
 - při nabíjení 4...40°C
 - při provozu -20...+50°C
 - při skladování -20...+50°C

VYSVĚTLENÍ SYMBOLŮ NA NÁSTROJI/BATERII

- ③ Tento nástroj lze použít s většinou běžně dostupných příslušenství pro více nástrojů, včetně existujících příslušenství OIS a Starlock
- ④ Před použitím si přečtěte návod k použití
- ⑤ Baterie při vhození do ohně explodují, proto je nikdy nevhazujte do otevřeného plamene
- ⑥ Nářadí/nabíječka/akumulátor ukládejte na vhodné, suché a zajištěné místo, v prostorách s teplotou maximálně 50°C
- ⑦ Nevhazujte elektrické nářadí a baterie do komunálního odpadu

OBSLUHA

- Nabíjení akumulátorů
 - ! přečtěte si bezpečnostní upozornění a pokyny, které byly dodány spolu s nabíječkou
- Vyměti/installace akumulátoru ②
- Indikátor akumulátoru ⑧
 - stiskněte tlačítko indikátoru akumulátoru M, aby ukazovalo aktuální úroveň nabití ⑧a
 - ! když po stisknutí tlačítka M ⑧b začne blikat nejnižší úroveň indikátoru akumulátoru, akumulátor je vypnutý
 - ! když úroveň 2 indikátoru akumulátoru začnou blikat po stisknutí tlačítka M ⑧c, akumulátor není v rozsahu přípustných provozních teplot

- LED-kontrolka L ⑨
LED kontrolka se automaticky rozsvítí při aktivaci spínače „zapnuto/vypnuto“
! když LED kontrolka začne blikat, aktivuje se ochrana akumulátoru (viz níže)
- Ochrana baterie
Nářadí se najednou vypne nebo mu je zabráněno v zapnutí, když
 - **je zátěž příliš vysoká** --> odstraňte zátěž a proveďte restart
 - **teplota akumulátoru není v rozsahu přípustných provozních teplot -20 až +50 °C** --> úrovně 2 indikátoru akumulátoru začnou blikat po stisknutí tlačítka M ⑧;c; počkejte, dokud se akumulátor nevrátí do rozsahu přípustných provozních teplot
 - **Akumulátor je téměř vybitý (ochrana před přílišným vybitím)** --> při stisknutí tlačítka M indikátor akumulátoru zobrazí nízkou úroveň baterie nebo blikající nízkou úroveň akumulátoru ⑧;b; vyměňte akumulátor
- ! po automatickém vypnutí nástroje netiskněte vypínač; mohlo by dojít k poškození akumulátoru**
- Výměna příslušenství ⑩
 - **vytáhněte akumulátor z nářadí**
 - potřebné příslušenství demontujte/montujte podle obrázku
 - dbejte na to, aby otvory v příslušenství zapadly do výstupků v hlavě nástroje (na poloze nezáleží)
 - příslušenství namontujte tak, aby stlačený střed směřoval dolů
 - **zkontrolujte těsné uchycení příslušenství** (nesprávné nebo nebezpečně upevněné příslušenství by se při práci mohlo uvolnit a vést k riziku)
- Odsávání prachu ⑪
 - **vytáhněte akumulátor z nářadí**
 - adaptér vysavače J používejte pouze při práci s pískovací podložkou E
 - namontovat otvor odsávání J, jak to ukazuje obrázek
 - připojte vysavač
 - **při broušení kovů nepoužívejte zařízení na odsávání prachu/vysavač**
 - adaptér vysavače J pravidelně čistěte pro optimální odsávání
- Připevňování brusného papíru ⑫
 - než upevníte brusný papír, vyklepejte prach ze suchého zipu na brusné desce E
 - upevněte brusný papír VELCRO H podle obrázku
 - **! pro odsávání je nutné používat perforovaný brusný papír**
 - **! otvory v broušící papíru musí souhlasit s otvory v broušící desu**
 - **! opotřebovaný papír včas vyměňte**
 - **! vždy nářadí používejte tak, že celý povrch suchého zipu pokryjete brusným papírem**
- Zapnuto/vypnuto
 - zapněte/vypněte nářadí přepnutím vypínače C ② do poloh "I"/"O"
 - **! nástroj přikládejte k obrobku až po dosažení maximálních otáček**
 - **! před vypnutím nářadí nejprve odejměte od obrobku**

- Nastavení pracovní rychlosti ⑬
 - kolečkem D lze nastavit požadovanou oscilační frekvenci od nízké (1) až po vysokou (6) (i když se nářadí otáčí)
 - optimální pracovní rychlost závisí na daném materiálu a můžete ji zjistit praktickými pokusy
- Držení a vedení nástroje
 - **! při práci vždy držte nástroj v šedě zbarvené oblasti rukojeti ⑭**
 - udržujte větrací štěrby K nezakryté
 - nevyvíjejte na nástroj přílišný tlak (při nadměrném tlaku se hrot nadměrně zahřívá, což může zkrátit životnost příslušenství)
- Příslušenství k nastavení hloubky (DEPTH STOP) (není standardní součástí příslušenství) ⑮

NÁVOD K POUŽITÍ

- Za účelem zajištění optimálních výsledků s různými materiály ⑯ využijte tabulku k určení správného příslušenství (**zahrnuto i nestandardní příslušenství**)
- Další informace najdete na www.skil.com

ÚDRŽBA / SERVIS

- Tento nástroj není určen k profesionálnímu použití
- Nástroj udržujte vždy čistý (zejména větrací štěrby K ②)
- **! před montáží vyjměte akumulátor z nástroje**
- Pokud dojde i přes pečlivou výrobu a náročnou kontrolu k poruše nástroje, svěřte provedení opravy autorizovanému servisnímu středisku pro elektronářadí firmy SKIL
 - zašlete nástroj **nerozebraný** spolu s potvrzením o nákupu své prodejní nebo nejbližšímu servisu značky SKIL (adresy a servisní schéma nástroje najdete na www.skil.com)
- Uvědomte si, že na poškození způsobené přetížením nebo nesprávným zacházením se nevztahuje záruka (záruční podmínky společnosti SKIL najdete na adrese www.skil.com nebo se obraťte na prodejce)

ŽIVOTNÍ PROSTŘEDÍ

- **Elektrické nářadí, baterie, doplňky a balení nevyhazujte do komunálního odpadu** (jen pro státy EU)
 - podle evropské směrnice 2012/19/EG o nakládání s použitými elektrickými a elektronickými zařízeními a odpovídajících ustanovení právních předpisů jednotlivých zemí se použítá elektrická nářadí, musí sbírat odděleně od ostatního odpadu a podrobit ekologicky šetrnému recyklování
 - symbol ⑦ na to upozorňuje
 - **! u vyřazených akumulátorů zakryjte kontakty izolační páskou, zabráníte tím plazivým proudům**

HLUČNOSTI / VIBRACÍ

- Při měření v souladu s normou EN 62841 je hladina akustického tlaku tohoto nástroje 86,5 dB(A) a hladina hlučnosti 97,5 dB(A) (nepřesnost K = 3 dB), a vibrace * (celkové hodnoty vibrací; nepřesnost K = 1,5 m/s²)
- * při smírkování < 2,5 m/s²
- Úroveň vibrací byla měřena v souladu se standardizovaným testem podle EN 62841; je možné ji použít ke srovnání jednoho přístroje s druhým a jako

předběžné posouzení vystavování se vibracím při používání přístroje k uvedeným aplikacím

- používání přístroje k jiným aplikacím nebo s jiným či špatně udržovaným příslušenstvím může zásadně **zvýšit** úroveň vystavení se vibracím
- doba, kdy je přístroj vypnutý nebo kdy běží, ale ve skutečnosti není využíván, může zásadně **snížit** úroveň vystavení se vibracím

! chraňte se před následky vibrací tak, že budete dbát na údržbu přístroje a příslušenství, budete si udržovat teplé ruce a uspořádáte si své pracovní postupy

TR

Fırçasız akülü çok amaçlı alet 3650

GİRİŞ

- Bu alet, ahşap, plastik, alçı, metal ve yumuşak duvar fayanslarını kesmek için tasarlanmıştır ve aynı zamanda küçük yüzeylerdeki kuru zımparalama ve rasalama işlerine de uygundur
- Bu alet özellikle kenara yakın, saplamalı kesme ve hizalama işlerine uygundur
- Bu alet profesyonel kullanıma yönelik değildir
- Bu alet bulunması kolay mevcut OIS ve Starlock aksesuarları dahil çok amaçlı alet aksesuarlarıyla birlikte kullanılabilir ③
- Bu kullanma kılavuzunu okuyun ve saklayın ④

TEKNİK VERİLER ①

ALET BİLEŞENLERİ ②

- A Sıkma kolu
- B Pullu tespit vidası
- C Açma/kapama şalteri
- D Hiz seçimi tekerleği
- E Zımpara pedi
- F Dilimli testere bıçağı
- G Saplamalı kesim testere bıçağı
- H Zımparalama levhası
- J Süpürge bağlantısı
- K Havalandırma yuvaları
- L LED-işığı
- M Batarya şarj süre göstergesi
- N Derinlik ayarlama aksesuarı *

* STANDART OLARAK DAHİL DEĞİLDİR

GÜVENLİK

GENEL ELEKTRİKLİ EL ALETİ GÜVENLİK UYARILARI

⚠ UYARI Bu elektrikli alet ile birlikte verilen tüm uyarıları, talimatları, resimleri ve özellikleri okuyun. Aşağıda listelenen talimatların tamamına uyulmaması durumunda elektrik çarpması, yangın ve/veya ciddi yaralanmalar meydana gelebilir.

Tüm uyarı ve talimatları ilerde kullanmak üzere saklayın.

Uyarı ve talimat hükümlerinde kullanılan "elektrikli el aleti" kavramı, akım şebekesine bağlı (şebeke bağlantı kablosu ile) aletlerle akü ile çalışan aletleri (akım şebekesine bağlantısı olmayan aletler) kapsamaktadır.

1) ÇALIŞMA YERİ GÜVENLİĞİ

- Çalıştığınız yeri temiz ve düzenli tutun.** Dzensizlik veya yetersiz aydınlatma kazalara neden olabilir.
- Yanıcı sıvıların, gazların veya tozların bulunduğunu patlama tehlikesi olan yer ve mekânlarda aletle çalışmayın.** Elektrikli el aletleri, toz veya buharların tutuşmasına veya yanmasına neden olan kıvılcıklar çıkarırlar.
- Elektrikli el aletiyle çalışırken çocukları ve başkalarını çalışma alanınızın uzağında tutun.** Yakınızdaki bulunan kişiler dikkatinizi dağıtabilir ve bu da alet üzerindeki kontrolünüzü kaybetmenize neden olabilir.

2) ELEKTRİKSEL GÜVENLİK

- Aletin bağlantı fişi prize uymalıdır. Fişi hiçbir şekilde değiştirmeyin. Koruyucu topraklamalı aletlerle adaptörlü fiş kullanmayın.** Değiştirilmemiş, orijinal fiş ve uygun prizler elektrik çarpmaya tehlikesini azaltır.
- Borular, kalorifer tesisatı, ısıtıcılar ve buzdolapları gibi topraklanmış yüzeylerle bedensel temasa geçmekten kaçının.** Eğer bedeniniz topraklanacak olursa yüksek bir elektrik çarpmaya tehlikesi ortaya çıkar.
- Aleti yağmur ve nemden koruyun.** Elektrikli el aletinin içine suyun sızması elektrik çarpmaya tehlikesini yükseltir.
- Kabloyu kendi amacı dışında kullanmayın; örneğin aleti kablodan tutarak taşımayın, aleti kablo ile asmayın veya kablodan çekerek fişi prizden çıkarmayın.** Kabloyu aşırı ısıktan, yağlardan, keskin kenarlı cisimlerden veya aletin hareketli parçalarından uzak tutun. Hasarlı veya dolaşmış kablo elektrik çarpmaya tehlikesini yükseltir.
- Elektrikli el aletiyle açık havada çalışırken mutlaka açık havada kullanılmaya uygun uzatma kablosu kullanın.** Açık havada kullanılmaya uygun uzatma kablosunun kullanılması elektrik çarpmaya tehlikesini azaltır.
- Elektrikli el aletinin nemli ortamlarda çalıştırılması şartsa, mutlaka kaçak akım cihazı (RCD) kullanın.** RCD kullanımı elektrik çarpmaya tehlikesini azaltır.

3) KİŞİLERİN GÜVENLİĞİ

- Dikkatli olun, ne yaptığınıza dikkat edin ve elektrikli el aletiyle çalışırken makul hareket edin.** Yorgunsanız, ilaç kullanıyorsanız veya uyuşturucu madde ya da alkol etkisi altındaysanız aletle kullanmayın. Aleti kullanırken bir anlık dikkatsizliğiniz ciddi yaralanmalara yol açabilir.
- Daima kişisel korunma donanımları ve bir koruyucu gözlük kullanın.** Elektrikli el aletinin türü ve kullanımına uygun olarak kullanacağınız toz maskesi, kaymayan sağlam iş ayakkabıları, koruyucu kask veya koruyucu kulaklık gibi kişisel korunma donanımlarını kullanmanızı yaralanma tehlikesini büyük ölçüde azaltır.
- Aleti yanlışlıkla çalıştırmaktan kaçının.** Akım ikmal şebekesine ve/veya aküye bağlamadan, elinize alıp taşımadan önce elektrikli el aletinin kapalı durumda olduğundan emin olun. Elektrikli el aletini parmağınız şalter üzerinde dururken taşırsanız ve alet açıkken fişi prize sokarsanız kazalara neden olabilirsiniz.
- Aleti çalıştırmadan önce ayar aletlerini veya tornavidaları aletten uzaklaştırın.** Dönen alet

parçasına temas halinde bulunan bir uç veya anahtar yaralanmalara neden olabilir.

- e) **Kendinize çok fazla güvenmeyin. Duruşunuzun güvenli olmasına dikkat edin ve daima dengeyi koruyun.** Bu sayede aleti beklenmedik durumlarda daha iyi kontrol edersiniz.
- f) **Uygun iş elbiseleri giyin. Geniş giysiler giymeyin ve takı takmayın. Saçlarınızı ve giysilerinizi aletin hareketli parçalarından uzak tutun.** Bol giysiler, takılar veya uzun saçlar aletin hareketli parçaları tarafından tutulabilir.
- g) **Aletinize toz emme donanımı ve toz tutma donanımı takılabiliyorsa, bunların bağlı olup olmadığını ve doğru işlev görüp görmediklerini kontrol edin.** Toz emme donanımının kullanımı tozdan kaynaklanabilecek tehlikeleri azaltır.
- h) **Aletleri sık kullanmanız sebebiyle kazandığınız alışkanlıklar, güvenlik prensiplerine uymazı önlememelidir.** Dikkatsiz bir hareket, bir anda ciddi yaralanmalara yol açabilir.
- 4) **ELEKTRİKLİ EL ALETLERİYLE DİKKATLİ ÇALIŞMAK VE ALETİ DOĞRU KULLANMAK**
 - a) **Aleti aşırı ölçüde zorlamayın. İşinize uygun elektrikli el aletini kullanın.** Uygun elektrikli el aleti ile belirtilen performans alanında daha iyi ve daha güvenli çalışırsınız.
 - b) **Açma/kapama şalteri arızalı olan elektrikli el aletini kullanmayın.** Açılıp kapanamayan bir elektrikli el aleti tehlikelidir ve onarılması gerekir.
 - c) **Alette bir ayarlama işlemine başlamadan, herhangi bir aksesuarı değiştirirken veya aleti elinizden bırakırken fişi prizden çekin veya aküyü çıkarın.** Bu önlem, elektrikli el aletinin yanlışlıkla çalışmasını önler.
 - d) **Kullanım dışında iken elektrikli el aletinizi çocukların ulaşamayacağı bir yerde saklayın. Aleti kullanmayı bilmeyen veya bu güvenlik talimatını okumayan kişilerin aleti kullanmasına izin vermeyin.** Deneyimsiz kişiler tarafından kullanıldıkları takdirde elektrikli el aletleri tehlikeli olabilirler.
- e) **Elektrikli el aletinin ve aksesuarların bakımını özenle yapın. Aletin hareketli parçalarının kusursuz işlev görüp görmediklerini ve sıkışmadıklarını, parçaların kırık veya hasarlı olup olmadıklarını kontrol edin, aksi takdirde alet işlevini tam olarak yerine getiremez. Aleti kullanmadan önce hasarlı parçaları onartın.** Birçok iş kazası aletlerin kötü ve yetersiz bakımından kaynaklanır.
- f) **Kesici uçları keskin ve temiz tutun.** İyi bakım görmüş kesici uçlar daha ender sıkışır ve daha iyi yönlendirilirler.
- g) **Elektrikli el aletlerini, aksesuarı, uçları ve benzerlerini bu güvenlik talimatına uygun olarak kullanın. Aleti kullanırken çalışma koşullarını ve yaptığınız işi daima dikkate alın.** Elektrikli el aletlerini kendileri için öngörülen işlerin dışında kullanmak tehlikeli durumların ortaya çıkmasına neden olabilir.
- h) **Tutamak ve kavrama yüzeylerini kuru, yağsız ve temiz tutun.** Kaygan tutamak ve kavrama yüzeyleri, aletin beklenmeyen durumlarda güvenli şekilde tutulmasını ve kontrol edilmesini engeller.
- 5) **AKÜLÜ ALETLERLE DİKKATLİ ÇALIŞMAK VE ALETLERİ DOĞRU KULLANMAK**
 - a) **Aküleri sadece üretici tarafından tavsiye edilen şarj cihazlarında şarj edin.** Belirli bir tür akü için geliştirilmiş

- bir şarj cihazının değişik bir akü için kullanılması yangın tehlikesine yol açar.
- b) **Elektrikli el aletlerinde sadece o alet için öngörülen aküleri kullanın.** Başka akülerin kullanılması yaralanmalara ve yangın tehlikesinin ortaya çıkmasına neden olabilir.
- c) **Kullanım dışında bulunan aküleri, kontaklar arasında köprüleme yapma olasılığı bulunan büro ataçları, madeni paralar, anahtarlar, çiviler, vidalar veya diğer küçük metal eşya ve cisimlerden uzak tutun.** Akü kontakları arasındaki bir kısa devre yanmalara veya yangın çıkmasına neden olabilir.
- d) **Yanlış kullanım durumunda akünün dışına sıvılar sızabilir. Bu sıvılara temas etmeyin. Yanlışlıkla aküden sızan sıvılara temas ederseniz, temas yerini hemen su ile yıkayın. Eğer söz konusu sıvı gözünüze kaçacak olursa hemen bir hekime başvurun.** Aküden dışarı sızan sıvılar cildinizde tahrişlere veya yanmalara neden olabilir.
- e) **Hasarlı veya değiştirilmiş akü veya el aleti kullanmayın.** Hasarlı veya değiştirilmiş aküler beklenmedik davranışlara yol açarak yangın, patlama ve yaralanmalara neden olabilir.
- f) **Akü veya aleti ateşe veya yüksek sıcaklıklara maruz bırakmayın.** Ateşe veya 130°C üstündeki sıcaklıklara maruz kalma patlamalara yol açabilir.
- g) **Tüm şarj talimatlarını uygulayın ve akü ya da aleti talimatlarda belirtilen sıcaklık aralığının dışında şarj etmeyin.** Hatalı şarj veya belirtilen aralık dışındaki sıcaklıklarda şarj aküye zarar vererek yangın riskini yükseltirler.
- 6) **SERVIS**
 - a) **Aleti sadece uzman bir elemana ve orijinal yedek parçalar kullanılarak onartın.** Böylelikle aletin güvenliğini korumuş olursunuz.
 - b) **Hasarlı akülerde onarım işlemi yapmayın.** Akülerin onarımı sadece üretici veya yetkili servisler tarafından yapılmalıdır.

KABLOSUZ ÇOK AMAÇLI ALETLERE YÖNELİK GÜVENLİK TALİMATLARI

- **Kesim aksesuarının gizli kablo tesisatına temas edebileceği bir işlem yaparken elektrikli aleti izolasyonu tutamaklardan tutun** ("akım taşıyan" bir tele temas eden kesim aksesuarı, aletin metal parçalarında da "akım dolaşmasına" ve operatöre elektrik çarpmasına neden olabilir)
- **İş parçasını iyice sabitlemek ve desteklemek için mengene kullanın veya diğer pratik yollara başvurun** (iş parçasını elde tutmak veya vücuda dayamak sabit olmamasına ve kontrol kaybına neden olabilir)

GENEL

- Bu alet 16 yaşın altındaki kişiler tarafından kullanılmamalıdır
- İş parçasının vida, çivi ve benzeri malzeme tarafından hasar görmemesi için dikkatli olun; çalışmaya başlamadan önce bunları çıkartın
- **Bu alette asbest içeren malzemeleri işlemeyin** (asbest kanserojen bir madde kabul edilir)
- Herhangi bir ayarlama yapmadan ve aksesuarları değiştirmeden önce bataryayı aletten sökün
- Aleti daima iki elinizle sıkıca tutun ve güvenli bir duruş alın

- Kurşun içeren boya, bazı ahşap türleri, mineral ve metal gibi malzemelerden çıkan toz zararlı olabilir (tozla temasta bulunulması veya solunması operatörde veya yakında bulunan kişilerde alerjik reaksiyonlara ve/veya solunum yolu hastalıklarına neden olabilir); **toz maskesi takın ve toz ekstraksiyon cihazıyla çalışın (bağlanabiliyorsa)**
- Bazı toz tipleri (örneğin meşe ve kayın ağacı tozu), bilhassa ahşap yenileme katkı maddeleriyle birlikte, kansinojenik olarak sınıflandırılır; **toz maskesi takın ve toz ekstraksiyon cihazı ile çalışın (bağlanabiliyorsa)**
- Çalışmak istediğiniz malzemelerin, toz ile ilgili ulusal taleplerini takip edin
- **Aksesuarları değiştirirken koruyucu eldivenler kullanın** (aksesuarlara dokunmak yaralanmalara yol açabilir)
- Aletinizi bırakıp gitmeden önce mutlaka kapatın ve döner parçaların tam olarak durmasını bekleyin

TESTERLE KESERKEN/KESERKEN

- **Kesme alanından ellerinizi uzak tutun**; kesme işlemi sırasında herhangi bir nedenle malzemenin alt kısmına hiçbir zaman elinizi uzatmayın
- **Görünmeyen elektrik kablolarını belirlemek için uygun bir tarama cihazı kullanın veya yerel akım ikmal şirketlerinden yardım isteyin** (elektrik kablolarıyla temas, yangın çıkmasına veya elektrik çarpmalarına neden olabilir; bir gaz borusu hasar görürse patlama tehlikesi ortaya çıkar; bir su borusunun delinmesi halinde maddi hasarlar meydana gelebilir veya elektrik çarpma tehlikesi ortaya çıkabilir)
- Çatlamış, eskimiş ve kör bıçakları kullanmayın

ZIMPARALAR

- **Aleti sadece kuru zımparalama için kullanın** (alete su girmesi elektrik çarpma tehlikesini artırır)
- Hareket halindeki zımpara kağıdına dokunmayın
- Aşınmış, yırtılmış veya gözenekleri aşırı ölçüde dolmuş zımpara kağıtlarını kullanmayın
- Metalleri zımparalarken kıvılcımlar oluşur; elektrik süpürgesi kullanmayın ve diğer çalışanları ve yanıcı malzemeleri çalışma alanınızdan uzak tutun

BATARYALAR

- **Temin edilen batarya bir miktar şarj edilmiştir** (bataryanın tam kapasiteyle çalışmasını sağlamak için, elektrikli aletinizi ilk kez kullanmadan önce bataryayı batarya şarj cihazında tamamen şarj edin)
- **Bu aletle sadece aşağıdaki bataryaları ve şarj cihazlarını kullanın**
 - SKIL bataryası: BR1*31****
 - SKIL şarj cihazı: CR1*31****
- Hasarlı bataryaları kullanmayın, yenileyin
- Bataryayı sökmeyin
- Aleti/bataryayı yağmur altında bırakmayın
- İzin verilen ortam sıcaklığı (aleti/şarj cihazını/batarya):
 - şarjda 4...40°C
 - işletmede -20...+50°C
 - depolamada -20...+50°C

ALET/BATARYA ÜZERİNDE BULUNAN İŞARETLERİN AÇIKLAMASI

- ③ Bu alet bulunması kolay mevcut OIS ve Starlock temel aksesuarları dahil çok amaçlı alet aksesuarlarıyla birlikte kullanılabilir
- ④ Kullanmadan önce kılavuzu okuyun
- ⑤ Piller ateşe maruz kaldığında patlar, bu yüzden herhangi bir nedenle pilli yakmayın
- ⑥ Aleti, şarj cihazını ve bataryayı daima 0°- 50° arasındaki oda sıcaklığında saklayın

- ⑦ Elektrikli aletlerini ve pilleri evdeki çöp kutusuna atmayın

KULLANIM

- Bataryanın şarjı
 - ! **şarj cihazı ile birlikte verilen güvenlik uyarıları ve talimatlarını okuyun**
- Bataryanın çıkarılması/takılması ②
- Batarya şarj süre göstergesi ③
 - mevcut batarya seviyesini ④a göstermek için batarya seviyesi gösterge düğmesine M basın
 - ! **düğmeye M ③b bastıktan sonra batarya göstergesinin en düşük seviyesi yanıp sönmeye başladığında bataryanın şarjı bitmiş demektir**
 - ! **düğmeye M ③c bastıktan sonra batarya göstergesinin 2 seviyeleri yanıp sönmeye başladığında batarya, izin verilen çalışma sıcaklığı aralığında değil demektir**
- LED-ışığı L ④
 - Açma/kapatma düğmesine basıldığından LED ışık otomatik olarak yanar
 - ! **LED ışık yanıp sönmeye başladığında batarya koruması devreye girer (aşağıya bakın)**
- Pili koruma
 - Aşağıdaki durumlarda alet aniden kapanır veya tekrar çalıştırılmaz
 - **yük çok yüksek olduğunda** --> yükü kaldırın ve yeniden çalıştırın
 - **akü sıcaklık aralığı olan -20 ila +50°C içinde değilse** --> düğmeye M ③c bastıktan sonra akü göstergesinin 2 seviyeleri yanıp sönmeye başladığında; bataryanın yeniden izin verilen çalışma sıcaklık aralığına dönmelerini bekleyin
 - **batarya bitmeye yakinken (aşırı boşalmaya karşı koruma sağlamak için)** --> düğmeye M basıldığında batarya seviye göstergesi tarafından düşük batarya seviyesi veya yanıp sönen düşük batarya seviyesi ③b gösterilir; bataryayı şarj edin
 - ! **alet otomatik olarak kapandıktan sonra açma/kapama düğmesine basmayın; pil hasar görebilir**
- Aksesuarları değiştirme ⑩
 - ! **bataryayı aletten çıkarın**
 - istediğiniz aksesuarı gösterdiği gibi çıkarın/takın
 - aksesuar deliklerinin alet kafasında bulunan tırnaklara geçmesini sağlayın (araya girme konumundan herhangi biri mümkündür)
 - basık orta noktası aşağıya doğru bakacak şekilde aksesuarı takın
 - **aksesuarın sıkıca oturduğunu kontrol edin** (yanlış veya iyice takılmamış aksesuarlar işlem esnasında gevşeyebilir ve tehlike yaratabilir)
- Toz emme ⑪
 - ! **bataryayı aletten çıkarın**
 - süpürge adaptörünü J sadece zımpara pedi E ile çalışırken kullanın
 - süpürge bağlantısı J gösterilen şekilde takın
 - süpürgeyi takınız
 - ! **metalleri zımparalarken toz çekme aparatı/elektrik süpürgesi kullanmayın**
 - optimum toz emme performansı için süpürge adaptörünü J düzenli olarak temizleyin
- Zımpara kağıdı tespiti ⑫
 - zımpara kağıdını yerleştirmeden önce zımpara levhası E CIRT BANT materyalinin dokumasını silkeleyin

- HVELCRO zımpara kağıdını gösterilen şekilde takın
- ! **toz emdirmeye için delikli zımpara kağıtlarına ihtiyacınız vardır**
- ! **zımpara kağıdının delikleri zımpara levhasının deliklerine uymalıdır**
- ! **aşınmış zımpara kağıtlarını zamanında yenileyin**
- ! **aletin daima tüm CIRT BANT yüzeyini zımpara kağıdı ile kaplayarak kullanın**

- Açma/kapama
 - aleti C ② düğmesini "I"/"O" konumuna getirerek açık çalıştırın/kapatın
 - ! **aksesuar iş parçasına temas etmeden önce en yüksek devir sayısına ulaşılmalıdır**
 - ! **aleti kapatmadan önce iş parçası üzerinden kaldırın**
- Çalışma hızının ayarlanması ⑬
 - tekerlekle D istenen salınım frekansı düşük hızdan (1) yüksek hıza (6) kadar ayarlanabilir (aynı zamanda alet çalışırken de ayar yapılabilir)
 - ideal çalışma hızı malzemeye bağlı olup, pratik denemelerle belirlenebilir
- Aletin tutulması ve kullanılması
 - ! **çalışma esnasında, aleti daima gri renkli bölge(ler) den tutun ⑭**
 - havalandırma yuvalarını K açık tutun
 - alet üzerine çok fazla kuvvet uygulamayın (bu durum aşırı ısınmaya neden olacak ve aksesuarların kullanım ömrünü azaltacaktır)
- Derinlik ayarlaması aksesuarı (DEPTH STOP) (standart olarak dahil değildir) ⑮

UYGULAMA ÖNERİLERİ

- Farklı malzemeler üzerinde çalışırken en iyi sonucu elde etmek için doğru aksesuarı belirlemek amacıyla referans olarak tabloyu ⑯ kullanın (standart olmayan aksesuarlar dahildir)
- Daha fazla bilgi için www.skil.com adresine bakın

BAKIM / SERVİS

- Bu alet profesyonel kullanıma yönelik değildir
- Aleti daima temiz tutun (özellikle havalandırma yuvalarını K ②)
- ! **temizlemeden önce aletten bataryayı çıkarın**
- Dikkatli biçimde yürütülen üretim ve test yöntemlerine rağmen alet arıza yapacak olursa, onarım SKIL elektrikli aletleri için yetkili bir serviste yapılmalıdır
 - aleti **ambalajıyla** birlikte satın alma belgenizi de ekleyerek satıcınıza veya en yakın SKIL servisine ulaştırın (adresler ve aletin servis semaları www.skil.com adresinde listelenmiştir)
- Aşırı yüklenme ve yanlış kullanımın aleti garanti kapsamından çıkaracağını unutmayın (SKIL garanti koşulları için www.skil.com adresine bakın veya satıcınıza başvurun)

ÇEVRE

- **Elektrikli aletlerini, piller, aksesuarları ve ambalajları evdeki çöp kutusuna atmayın** (sadece AB ülkeleri için)
 - kullanılmış elektrikli aletleri, elektrik ve elektronik eski cihazlar hakkındaki 2012/19/EC Avrupa yönergelerine göre ve bu yönergeler ulusal hukuk kurallarına göre uyarlanarak, ayrı olarak toplanmalı ve çevre

- şartlarına uygun bir şekilde tekrar değerlendirmeye gönderilmelidir
- sembol ⑦ size bunu anımsatmalıdır
- ! **bataryayı tasfiye etmeden önce, kaçak akımları önlemek üzere batarya uçlarını ağır bir bantla sarın**

GÜRÜLTÜ / TİTREŞİM

- EN 62841 uyarınca ölçülen bu aletin ses basıncı seviyesi 86,5 dB(A) ve ses gücü seviyesi 97,5 dB(A) (tolerans K = 3 dB), titreşimi ise * (triaks vektör toplamı; tolerans K = 1,5 m/s²)
- *zımparalama esnasında < 2,5 m/s²
- Titreşim emisyon seviyesi EN 62841'de sunulan standart teste göre ölçülmüştür; bu seviye, bir alet bir başkasıyla karşılaştırmak amacıyla ve aletin söz konusu uygulamalarda kullanılması sırasında titreşime maruz kalma derecesinin ön değerlendirmesi olarak kullanılabilir
 - aletin farklı uygulamalar için veya farklı ya da bakımı yetersiz yapılmış aksesuarlarla kullanılması, maruz kalma seviyesini belirgin biçimde **artırabilir**
 - aletin kapalı olduğu veya çalıştığı ancak gerçek anlamda iş yapmadığı zamanlarda, maruz kalma seviyesi belirgin biçimde **azalabilir**
- ! **aletin ve aksesuarlarının bakımını yaparak, ellerinizi sıcak tutarak ve iş modellerinizi düzenleyerek kendinizi titreşimin etkilerinden koruyun**

PL

Bezszcotkowe bezprzewodowe 3650 urządzenie wielofunkcyjne

WSTĘP

- Narzędzie przeznaczone do wycinania i precyzowania drewna, plastiku, gipsu, metali i miękkich płytek ściennych i do szlifowania oraz skrobania na sucho niewielkich powierzchni
- W szczególności przystosowane jest ono do obróbki blisko krawędzi, do cięcia wglębnego i przycinania
- Narzędzie nie jest przeznaczone do zastosowań profesjonalnych
- Narzędzie obsługuje większość dostępnych akcesoriów wielofunkcyjnych, włącznie z istniejącymi akcesoriami OLS i Starlock ③
- Przeczytać i zachować niniejszą instrukcję obsługi ④

DANE TECHNICZNE ①

ELEMENTY NARZĘDZIA ②

- A Dźwignia mocująca
- B Śruba zaciskowa z podkładką
- C Włącznik/wyłącznik
- D Pokrętko wyboru prędkości
- E Talerz do piaskowania
- F Brzeszczot segmentowy
- G Brzeszczot do cięcia wglębnego
- H Papier ścierny
- J Adapter odsysacza trocin
- K Szczeliny wentylacyjne

- L Lampka LED
 - M Wskaźnik poziomu naładowania akumulatora
 - N Nasadka do ustawiania głębokości *
- * NIEDOSTĘPNA W STANDARDZIE

BEZPIECZEŃSTWO

OGÓLNE OSTRZEŻENIA DOTYCZĄCE BEZPIECZEŃSTWA UŻYTKOWANIA ELEKTRONARZĘDZIA

⚠ OSTRZEŻENIE Należy przeczytać wszystkie ostrzeżenia dotyczące bezpieczeństwa, instrukcje, ilustracje i dane techniczne dostarczone z tym elektronarzędziem. Nieprzestrzeganie wszystkich poniższych instrukcji może skutkować porażeniem prądem, pożarem i/lub poważnym obrażeniem ciała.

Wszystkie ostrzeżenia i wskazówki należy zachować do dalszego zastosowania.

Użyte w poniższym tekście pojęcie "elektronarzędzie" odnosi się do elektronarzędzi zasilanych energią elektryczną z sieci (z przewodem zasilającym) i do elektronarzędzi zasilanych akumulatorami (bez przewodu zasilającego).

1) BEZPIECZEŃSTWO MIEJSCA PRACY

- a) **Miejsce pracy należy utrzymywać w czystości i dobrze oświetlone.** Nieporządek lub nie oświetlone miejsce pracy mogą doprowadzić do wypadków.
- b) **Nie należy pracować tym narzędziem w otoczeniu zagrożonym wybuchem, w którym znajdują się np. łatwopalne ciecze, gazy lub pyły.** Elektronarzędzia wytwarzają iskry, które mogą podpalić ten pył lub pary.
- c) **Elektronarzędzie trzymać podczas pracy z daleka od dzieci i innych osób.** Przy nieuwadze można stracić kontrolę nad narzędziem.

2) BEZPIECZEŃSTWO ELEKTRYCZNE

- a) **Wtyczka urządzenia musi pasować do gniazda. Nie wolno modyfikować wtyczki w jakikolwiek sposób. Nie należy używać wtyczek adapterowych razem z uziemnionymi narzędziami.** Niezmienione wtyczki i pasujące gniazda zmniejszają ryzyko porażenia prądem.
 - b) **Należy unikać kontaktu z uziemnionymi powierzchniami jak rury, grzejniki, piece i lodówki.** Istnieje zwiększone ryzyko porażenia prądem, gdy Państwa ciało jest uziemnione.
 - c) **Urządzenie należy przechowywać zabezpieczone przed deszczem i wilgocią.** Wniknięcie wody do elektronarzędzia podwyższa ryzyko porażenia prądem.
 - d) **Nigdy nie należy używać kabla do innych czynności. Nigdy nie używać kabla do noszenia urządzenia za kabel, zawieszania lub do wyciągania wtyczki z gniazda. Kabel należy trzymać z daleka od wysokich temperatur, oleju, ostrych krawędzi lub ruchomych części urządzenia.** Uszkodzone lub poplątane kable zwiększają ryzyko porażenia prądem.
 - e) **W przypadku, kiedy elektronarzędziem pracuje się na świeżym powietrzu należy używać kabla przedłużającego, który dopuszczony jest do używania na zewnątrz.** Użycie dopuszczonego do używania na zewnątrz kabla przedłużającego zmniejsza ryzyko porażenia prądem.
 - f) **Jeżeli nie da się uniknąć zastosowania elektronarzędzia w wilgotnym otoczeniu, należy użyć wyłącznika ochronnego różnicowo-prądowego.** Zastosowanie wyłącznika ochronnego różnicowo-prądowego zmniejsza ryzyko porażenia prądem.
- #### 3) BEZPIECZEŃSTWO OSÓB
- a) **Należy być uważnym, uważać na to co się robi i pracę elektronarzędziem rozpoczynać z rozsądkiem. Nie należy używać urządzenia gdy jest się zmęczonym lub pod wpływem narkotyków, alkoholu lub lekarstw.** Moment nieuwagi przy użyciu urządzenia może doprowadzić do poważnych urażeń ciała.
 - b) **Należy nosić osobiste wyposażenie ochronne i zawsze okulary ochronne.** Noszenie osobistego wyposażenia ochronnego jak maska przeciwpyłowa, nie ślizgające się buty robocze, hełm ochronny lub ochrona słuchu, w zależności od rodzaju i zastosowania elektronarzędzia zmniejsza ryzyko obrażeń ciała.
 - c) **Należy unikać niezamierzonego uruchomienia narzędzia. Przed włożeniem wtyczki do gniazda i/lub podłączeniem do akumulatora, a także przed podniesieniem lub przeniesieniem elektronarzędzia, należy upewnić się, że elektronarzędzie jest wyłączone.** Trzymanie palca na wyłączniku podczas przenoszenia elektronarzędzia lub podłączenie do prądu włączonego narzędzia, może stać się przyczyną wypadków.
 - d) **Zanim urządzenie zostanie włączone należy usunąć narzędzia nastawcze lub klucze.** Narzędzie lub klucz, które znajdują się w ruchomych częściach urządzenia mogą doprowadzić do obrażeń ciała.
 - e) **Nie należy przeceniać swoich możliwości. Należy dbać o bezpieczną pozycję pracy i zawsze utrzymywać równowagę.** Przez to możliwa jest lepsza kontrola urządzenia w nieprzewidywanych sytuacjach.
 - f) **Należy nosić odpowiednie ubranie. Nie należy nosić luźnego ubrania lub biżuterii. Włosy i ubranie należy trzymać z daleka od ruchomych elementów.** Luźne ubranie, biżuteria lub długie włosy mogą zostać pociągnięte przez poruszające się części.
 - g) **W przypadku, kiedy możliwe jest zamontowanie urządzeń odsysających lub podchwytyjących należy upewnić się, czy są one właściwie podłączone i prawidłowo użyte.** Użycie urządzenia odsysającego pył może zmniejszyć zagrożenie pyłami.
 - h) **Nie wolno pozwolić, aby rutyna nabyta w wyniku wielokrotnego użycia elektronarzędzia, zastąpiła ściśle przestrzeganie zasad bezpieczeństwa.** Niedbale obsługiwane elektronarzędzie może w ułamku sekundy wyrządzić istotne szkody lub spowodować ciężkie obrażenia.
- #### 4) UWAŻNE OBCOWANIE ORAZ UŻYCIE ELEKTRONARZĘDZIA
- a) **Nie należy przeciążać urządzenia. Do pracy używać należy elektronarzędzia, które jest do tego przewidziane.** Odpowiednim narzędziem pracuje się lepiej i bezpieczniej w podanym zakresie sprawności.
 - b) **Nie należy używać elektronarzędzia, którego wyłącznik/wyłącznik jest uszkodzony.** Elektronarzędzie, którego nie można włączyć lub wyłączyć jest niebezpieczne i musi zostać naprawione.
 - c) **Przed rozpoczęciem jakichkolwiek prac nastawczych, przed wymianą osprzętu lub przed odłożeniem elektronarzędzia należy wyjąć wtyczkę**

- z gniazda sieciowego i/lub usunąć akumulator.** Ten środek ostrożności zapobiega niezamierzonemu włączeniu się urządzenia.
- d) **Nie używano elektronarzędzia należy przechowywać poza zasięgiem dzieci. Nie należy udostępniać narzędzia osobom, które jego nie umieją lub nie przeczytały tych przepisów.** Używane przez niedoświadczonych osoby elektronarzędzia są niebezpieczne.
- e) **Elektronarzędzia i osprzęt należy utrzymywać w nienagannym stanie technicznym. Należy kontrolować, czy ruchome części urządzenia funkcjonują bez zarzutu i nie są zablokowane, czy części nie są pęknięte lub uszkodzone, co mogłoby mieć wpływ na prawidłowe funkcjonowanie urządzenia. Uszkodzone narzędzie należy przed użyciem urządzenia oddać do naprawy.** Wiele wypadków spowodowanych jest przez niewłaściwą konserwację elektronarzędzi.
- f) **Osprzęt tnący należy utrzymywać ostry i czysty.** Starannie pielęgnowany osprzęt tnący z ostrymi krawędziami tnącymi blokuje się rzadziej i łatwiej się używa.
- g) **Elektronarzędzia, osprzęt, narzędzia itd. należy używać odpowiednio do tych przepisów. Uwzględnić należy przy tym warunki pracy i czynność do wykonania.** Użycie elektronarzędzi do innych niż przewidziane prace może doprowadzić do niebezpiecznych sytuacji.
- h) **Uchwyty i powierzchnie chwytowe powinny być zawsze suche, czyste, niezabrudzone olejem ani smarem.** Śliskie uchwyty i powierzchnie chwytowe nie pozwalają na bezpieczne trzymanie narzędzia i kontrolę nad nim w nieoczekiwanych sytuacjach.
- 5) UWAGNE OBCOWANIE I UŻYWANIE NARZĘDZI ZASILANYCH AKUMULATORAMI**
- a) **Akumulatory należy ładować tylko w ładowarkach, które polecił producent.** W ładowarce, która nadaje się do ładowania określonych akumulatorów istnieje niebezpieczeństwo pożaru, gdy użyte zostaną inne akumulatory.
- b) **Do elektronarzędzi należy używać jedynie przewidzianych do tego akumulatorów.** Użycie innych akumulatorów może doprowadzić do obrażeń ciała i niebezpieczeństwa pożaru.
- c) **Nie używany akumulator należy trzymać z daleka od spinaczy, monet, kluczy, gwoździ, śrub lub innych małych przedmiotów metalowych, które mogłyby spowodować zwarcie kontaktów.** Zwarcie pomiędzy kontaktami akumulatora może spowodować oparzenia lub pożar.
- d) **Przy niewłaściwym użyciu możliwe jest wydostanie się cieczy z akumulatora. Należy unikać kontaktu z nią. Przy przypadkowym kontakcie spuścić wodą.** W przypadku, że ciecz dostała się do oczu należy dodatkowo skonsultować się z lekarzem. Ciecz akumulatorowa może doprowadzić do podrażnienia skóry lub oparzeń.
- e) **Nie wolno użytkować uszkodzonych ani modyfikowanych akumulatorów i elektronarzędzi.** Uszkodzone lub przerabiane akumulatory mogą się nieprzewidzianie zachować, powodując niebezpieczne dla zdrowia skutki (zapłon, eksplozja, obrażenia ciała).

- f) **Akumulator należy trzymać z dala od ognia oraz chronić przed ekstremalnymi temperaturami.** Wskutek działania ognia lub temperatury przekraczającej 130°C akumulator może eksplodować.
- g) **Należy stosować się do wszystkich wskazówek dotyczących ładowania. Nie wolno ładować akumulatora lub elektronarzędzia w temperaturze znajdującej się poza zakresem sprecyzowanym w niniejszej instrukcji.** Niezgodne z instrukcją ładowanie lub ładowanie w temperaturze nie mieszczącej się w zalecanym zakresie może spowodować uszkodzenie akumulatora oraz zwiększa ryzyko pożaru.
- 6) SERWIS**
- a) **Naprawę urządzenia należy zlecić jedynie kwalifikowanemu fachowcowi i przy użyciu oryginalnych części zamiennych.** To gwarantuje, że bezpieczeństwo użytkownika zostanie zachowane.
- b) **Nie wolno w żadnym wypadku naprawiać uszkodzonego akumulatora.** Naprawy akumulatora można dokonywać wyłącznie u producenta lub w autoryzowanym punkcie serwisowym.

PRZEPISY BEZPIECZEŃSTWA DOTYCZĄCE AKUMULATOROWYCH NARZĘDZI WIEŁOFUNKCYJNYCH

- **Podczas wykonywania prac, przy których narzędzie robocze mogłoby natrafić na ukryte przewody elektryczne, elektronarzędzie należy trzymać za izolowane powierzchnie rękojeści** (kontakt z przewodem sieci zasilającej może spowodować przekazanie napięcia na części metalowe elektronarzędzia, co mogłoby doprowadzić do porażenia prądem elektrycznym)
- **Używać kleszczy lub innych narzędzi do zabezpieczenia i podparcia obrabianego materiału do stabilnej powierzchni** (trzymanie części w ręku lub opieranie jej o ciało może prowadzić do utraty kontroli)

OGÓLNE

- Narzędzie nie powinny używać dzieci poniżej 16 roku życia
- Uwaga na gwoździe, śruby i inne twarde przedmioty; przed przystąpieniem do obróbki powinny być usunięte z obrabianego przedmiotu; usunąć je przed rozpoczęciem pracy
- **Nie należy obrabiać materiału zawierającego azbest** (azbest jest rakotwórczy)
- Przed dokonaniem jakiegokolwiek regulacji lub zmiany akcesoriów wyjąć z narzędzia akumulatora
- Podczas pracy trzeba mocno trzymać narzędzie obiema rękami i zachowywać bezpieczną odległość
- Pył pochodzący z takich materiałów, jak farby zawierające ołów, niektóre gatunki drzewa, minerały i metal może być szkodliwy (kontakt z nim lub wdychanie takiego pyłu może powodować reakcje alergiczne i/lub niewydolność oddechową u operatora lub osób towarzyszących); **należy zakładać maskę przeciwpyłową i pracować z urządzeniem odsysającym, jeżeli można je podłączyć**
- Niektóre rodzaje pyłu są zaklasyfikowane jako rakotwórcze (takie, jak pył dębu i buka) szczególnie w połączeniu z dodatkami do kondycjonowania drewna; **należy zakładać maskę przeciwpyłową i pracować z urządzeniem odsysającym pył, jeżeli można je podłączyć**

- Należy stosować się do lokalnych wymogów dotyczących pracy w otoczeniu pyłu powstającego podczas obróbki materiału
- Podczas zmiany akcesoriów należy używać rękawic ochronnych** (dotknięcie akcesoriów może doprowadzić do obrażeń)
- Przed pozostawieniem elektronarzędzia należy odłączyć zasilanie elektryczne i odczekać do całkowitego zatrzymania się wrzeciona

PODCZAS PIŁOWANIA/CIĘCIA

- Trzymaj ręce z dala od obszaru cięcia**; pod żadnym pozorem nie sięgaj pod materiał podczas cięcia
- Aby wykryć ukryte przewody zasilające należy używać stosownych detektorów lub porozumieć się z miejscowymi zakładami energetycznymi** (kontakt z przewodami elektrycznymi może doprowadzić do pożaru i porażenia elektrycznego; uszkodzenie przewodu gazowego może doprowadzić do wybuchu; uszkodzenie przewodów instalacji wodociągowej powoduje szkody rzeczowe i może spowodować porażenie elektryczne)
- Nie używać pękniętego, odkształconego lub tępego brzeszczotu

PODCZAS SZLIFOWANIA

- Narzędzie może być używane wyłącznie podczas szlifowania na sucho** (dostanie się wody do narzędzia grozi porażeniem prądem)
- Nie wolno dotykać poruszającego się papieru ściernego
- Nie należy korzystać ze zużytych/ podartych albo mocno zapchanych papierów ściernych
- Przy szlifowaniu metalu występuje iskrzenie; nie wolno wtedy korzystać z odkurzacza a z obszaru pracy należy usunąć wszelkie materiały palne i zabronić tam wstępu osobom trzecim

AKUMULATORY

- Dostarczany akumulator jest częściowo naładowany** (aby zapewnić pełne naładowanie akumulatora, przed użyciem elektronarzędzia po raz pierwszy akumulator należy całkowicie naładować ładowarką)
- Do narzędzia należy stosować wyłącznie niższe akumulatory i ładowarki**
 - Akumulator SKIL: BR1*31****
 - Ładowarka SKIL: CR1*31****
- Uszkodzony akumulator należy wymienić; nie należy używać go do pracy
- Nie rozbierać akumulatora
- Elektronarzędzia/akumulatora nie należy narażać na działanie opadów atmosferycznych
- Dopuszczalna temperatura otoczenia (narzędzie/ ładowarka/akumulator):
 - podczas ładowania 4...40°C
 - podczas pracy -20...+50°C
 - podczas przechowywania -20...+50°C

OBJAŚNIENIE SYMBOLI NA NARZĘDZIU/

AKUMULATORZE

- To narzędzie obsługuje większość dostępnych akcesoriów wielofunkcyjnych, włącznie z istniejącymi akcesoriami OIS i Starlock
- Przed użyciem przeczytaj instrukcję obsługi
- Akumulatory w kontakcie z ogniem mogą eksplodować, więc nie wolno ich pod żadnym pozorem spalać
- Narzędzie/ładowarka/akumulator powinny być zawsze przechowywane w pomieszczeniu o temperaturze poniżej 50°C
- Nie wyrzucaj elektronarzędzi i baterie wraz z odpadami z gospodarstwa domowego

UŻYTKOWANIE

- Ładowanie akumulatora
 - ! przeczytać wszystkie ostrzeżenia dotyczące bezpieczeństwa oraz instrukcje dostarczone z ładowarką**
- Usuwanie/montaż baterii ②
- Wskaźnik akumulatora ⑧
 - nacisnąć przycisk wskaźnika poziomu energii akumulatora M, aby wyświetlić bieżący poziom energii akumulatora ⑧a
 - ! jeśli po naciśnięciu przycisku wskaźnik miga, wskazując najniższy poziom M ⑧b, akumulator jest wyczerpany**
 - ! jeśli po naciśnięciu przycisku na wskaźniku migają 2 paski poziomu, M ⑧c, stał przekroczony dopuszczalny limit temperatury roboczej akumulatora**
- Lampka LED L ⑨
 - Włączenie przełącznika wł./wył. powoduje zaświecenie diody LED
 - ! miganie diody LED oznacza, że włączył się system ochrony akumulatora (patrz poniżej)**
- System ochrony baterii
 - Urządzenie nagle wyłącza się lub nie można go włączyć, gdy
 - **obciążenie jest zbyt duże** --> usunąć obciążenie i uruchomić ponownie
 - **temperatura akumulatora jest poza dopuszczalnym zakresem wynoszącym od -20 do 50°C** --> 2 paski poziomu energii akumulatora na wskaźniku zagną migać po naciśnięciu przycisku M ⑧c; poczekać, aż temperatura akumulatora powróci do dopuszczalnego zakresu
 - **akumulator jest prawie całkowicie wyczerpany (zabezpieczenie przed głębokim rozładowaniem)** --> naciśnięcie przycisku M powoduje wyświetlenie na wskaźniku niskiego poziomu akumulatora lub miganie paska niskiego poziomu akumulatora ⑧b; naładować akumulator
 - ! po automatycznym wyłączeniu narzędzia nie naciskaj przycisku "on/off", ponieważ może to spowodować uszkodzenie akumulatora**
- Zmiana akcesoriów ⑩
 - ! wyjąć akumulator z elektronarzędzia**
 - akcesoria należy montować/zdejmować zgodnie z ilustracją
 - należy sprawdzić, czy otwory akcesoriów zostały nałożone na wypustki głowicy narzędzia (w dowolnej pozycji pozwalającej na zablokowanie akcesoriów)
 - akcesoria należy zakładać tak, aby wklęsły środek był skierowany do dołu
 - **sprawdź osadzenie akcesoriów** (nieprawidłowo lub niedokładnie dokręcone akcesoria mogą poluzować się w trakcie pracy i stać się zagrożeniem)
 - Odsysanie pyłu ⑪
 - ! wyjąć akumulator z elektronarzędzia**
 - adapter odsysacza E należy używać wyłącznie podczas pracy przy użyciu tarczy ścierniej J
 - zamontować adapter J według rysunku
 - podłączyć odkurzacz
 - ! przy szlifowaniu metalu nie należy używać odpynnika/worka na pył/odkurzacza**
 - w celu zapewnienia optymalnego odpylania należy regularnie czyścić adapter odsysacza J

- Mocowanie papieru ściernego ⑫
 - oczyścić stopę VELCRO z zanieczyszczeń E przed montażem papieru ściernego
 - założyć papier ścierny VELCRO ("narzępe") H, jak pokazano
 - ! w przypadku wykorzystywania odsysania mocowane papiery ścierne powinny posiadać otwory
 - ! rozmieszczenie otworów w papierze powinno być zgodne z położeniem odpowiednich otworów w płycie szlifierskiej elektronarzędzia
 - ! zużyte papiery ścierne natychmiast wymienić
 - ! podczas korzystania z narzędzia cała powierzchnia VELCRO musi być pokryta papierem ściernym
- Włącz/wyłącz
 - włączenie/wyłączenie narzędzia następuje poprzez ustawienie przycisku C ② w pozycji "I"/"O"
 - ! tarczę zbliżyć do obrabianego przedmiotu dopiero po osiągnięciu przez elektronarzędzie pełnej prędkości obrotowej
 - ! przed wyłączeniem narzędzia należy unieść je ponad obrabiany przedmiot
- Regulacja szybkości roboczej ⑬
 - koło D pozwala na sterowanie wymaganą prędkością drgań od niskiej (1) do wysokiej (6); regulacja jest możliwa także w trakcie pracy narzędzia
 - optymalna prędkość robocza zależy od materiału - należy ją ustalić metodą prób i błędów
- Utrzymanie i prowadzenie narzędzia
 - ! podczas pracy zawsze trzymać narzędzie za uchwyt(y) ograniczone szarym kolorem ⑭
 - szczeliny wentylacyjne K powinny być odkryte
 - nie wywierać zbyt dużego nacisku na narzędzie (zbyt silny nacisk spowoduje wytworzenie nadmiernych ilości ciepła i może spowodować skrócenie żywotności akcesorium)
- Nasadka do ustawiania głębokości (DEPTH STOP) (nie należy do standardowego wyposażenia) ⑮

WSKAZÓWKI UŻYTKOWANIA

- W celu uzyskania optymalnych wyników dla różnych materiałów należy korzystać z tabeli ⑯ jako odnośnika przy określaniu różnych akcesoriów (uwzględniono akcesoria niestandardowe)
- Więcej informacji można znaleźć pod adresem www.skil.com

KONSERWACJA / SERWIS

- Narzędzie nie jest przeznaczone do zastosowań profesjonalnych
- Zawsze dbać o czystość narzędzia (a szczególnie otworów wentylacyjnych K ②)
 - ! przed rozpoczęciem czyszczenia wyjąć akumulator z narzędzia
- Jeśli narzędzie, mimo dokładnej i wszechstronnej kontroli produkcyjnej ulegnie kiedykolwiek awarii, naprawę powinien przeprowadzić autoryzowany serwis elektronarzędzi firmy SKIL
 - odesłać nierozebrany narzędzie, wraz z dowodem zakupu, do dealera lub do najbliższego punktu usługowego SKIL (adresy oraz diagram serwisowy narzędzenia znajdują się na stronach www.skil.com)

- Prosimy pamiętać, że uszkodzenia spowodowane przeciążeniem lub niewłaściwym użytkowaniem narzędzia nie podlegają gwarancji (warunki gwarancji SKIL znajdują się na www.skil.com lub pytać swojego dealera)

ŚRODOWISKO

- Nie wyrzucaj elektronarzędzi, baterie, akcesoriów i opakowania wraz z odpadami z gospodarstwa domowego (dotyczy tylko państw UE)
 - zgodnie z Europejską Dyrektywą 2012/19/WE w sprawie zużytego sprzętu elektrotechnicznego i elektronicznego oraz dostosowaniem jej do prawa krajowego, zużyte elektronarzędzia należy posegregować i zutylizować w sposób przyjazny dla środowiska
 - w przypadku potrzeby pozbycia się narzędzia, akcesoriów i opakowania - symbol ⑦ przypomni Ci o tym
 - ! przed oddaniem akumulatora do punktu odbioru surowców wtórnych zabezpieczyć taśmą jego styki w celu uniknięcia powstawania prądów pełzających

HAŁASU / WIBRACJE

- Poziom ciśnienia akustycznego mierzonego zgodnie z normą EN 62841 wynosi 86,5 dB(A), a poziom mocy akustycznej wynosi 97,5 dB(A) (odchylenie K = 3 dB), wibracja * (trójosiowa suma wektorowa; odchylenie K = 1,5 m/s²)
 - * podczas szlifowania < 2,5 m/s²
- Poziom emisji wibracji został zmierzony zgodnie z testem standaryzowanym podanym w EN 62841; może służyć do porównania jednego narzędzia z innym i jako ocena wstępna narażenia na wibracje w trakcie używania narzędzia do wymienionych zadań
 - używanie narzędzia do innych zadań, lub z innymi albo źle utrzymanymi akcesoriami, może znacząco zwiększyć poziom narażenia
 - przypadki, kiedy narzędzie jest wyłączone lub jest czynne, ale aktualnie nie wykonuje zadania, mogą znacząco zmniejszyć poziom narażenia
 - ! należy chronić się przed skutkami wibracji przez konserwację narzędzia i jego akcesoriów, zakładanie rękawic i właściwą organizację pracy

RU

Многофункциональный бесщеточный аккумуляторный инструмент 3650

В состав эксплуатационных документов, предусмотренных изготовителем для продукции, могут входить настоящее руководство по эксплуатации, а также приложения.

Информация о подтверждении соответствия содержится в приложении.

Срок службы изделия

Срок службы изделия составляет 7 лет. Не рекомендуется к эксплуатации по истечении 5 лет

хранения с даты изготовления без предварительной проверки (дату изготовления см. на этикетке).

Перечень критических отказов и ошибочные действия персонала или пользователя

- не использовать с поврежденной рукояткой или поврежденным защитным кожухом
- не использовать при появлении дыма непосредственно из корпуса изделия
- не использовать с перебитым или оголенным электрическим кабелем
- не использовать на открытом пространстве во время дождя (в распыляемой воде)
- не включать при попадании воды в корпус
- не использовать при сильном искрении
- не использовать при появлении сильной вибрации

Критерии предельных состояний

- перетёрт или повреждён электрический кабель
- повреждён корпус изделия

Тип и периодичность технического обслуживания

Рекомендуется очистить инструмент от пыли после каждого использования.

Хранение

- необходимо хранить в сухом месте
- необходимо хранить вдали от источников повышенных температур и воздействия солнечных лучей
- при хранении необходимо избегать резкого перепада температур
- хранение без упаковки не допускается
- подробные требования к условиям хранения смотрите в ГОСТ 15150 (Условие 1)

Транспортировка

- категорически не допускается падение и любые механические воздействия на упаковку при транспортировке
- при разгрузке/погрузке не допускается использование любого вида техники, работающей по принципу зажима упаковки
- подробные требования к условиям транспортировки смотрите в ГОСТ 15150 (Условие 5)

ВНИМАНИЕ!

В случае возникновения перебоя в работе электроинструмента вследствие полного или частичного прекращения энергоснабжения или повреждения цепи управления энергоснабжением установите выключатель в положение Выкл., убедившись, что он не заблокирован (при его наличии) и отключите сетевую вилку от розетки или отсоедините съёмный аккумулятор (этим предотвращается неконтролируемый повторный запуск)

ВВЕДЕНИЕ

- Этот инструмент предназначен для распиливания и резки древесины, пластмассы, гипсокартона, металлов и мягкой облицовочной плитки, а также для сухого шлифования и шабрения небольших поверхностей
- Он особенно хорошо подходит для работы вблизи краев, глубокого пиления и обрезка заподлицо
- Данный инструмент не подходит для промышленного использования

- Для этого инструмента подходит большинство имеющихся принадлежностей, которые предназначены для multifunctionальных инструментов, включая имеющиеся принадлежности OIS и Starlock ③
- Прочитайте и сохраните с данной инструкцией ④

ТЕХНИЧЕСКИЕ ДАННЫЕ ①

СТРАНА ИЗГОТОВЛЕНИЯ

Сделано в Китае

ДЕТАЛИ ИНСТРУМЕНТА ②

- A** Зажимной рычаг
- B** Зажимной винт с шайбой
- C** Выключатель вкл/выкл
- D** Колёсико для регулирования скорости
- E** Насадка со шкуркой
- F** Сегментированное пыльное полотно
- G** Погружное пыльное полотно
- H** Шлифовальный лист
- J** Адаптер пылесоса
- K** Вентиляционные отверстия
- L** Световой индикатор
- M** Индикатор уровня заряда
- N** Ограничитель глубины *

* СТАНДАРТНО В КОМПЛЕКТ НЕ ВКЛЮЧАЕТСЯ

БЕЗОПАСНОСТЬ

ОБЩИЕ УКАЗАНИЯ ПО ТЕХНИКЕ БЕЗОПАСНОСТИ ОБ- РАЩЕНИЯ С ЭЛЕКТРОИНСТРУМЕНТАМИ

⚠ ВНИМАНИЕ! Следует ознакомиться со всеми правилами техники безопасности, инструкциями, иллюстрациями и техническими данными, содержащимися в прилагаемых к этому электроинструменту материалах. Несоблюдение нижеперечисленных инструкций в полном объеме может повлечь поражение электрическим током, пожар и/или серьезную травму.

Сохраняйте эти инструкции и указания для будущего использования.

Использованное в настоящих инструкциях и указаниях понятие “электроинструмент” распространяется на электроинструмент с питанием от сети (с кабелем питания от электросети) и на аккумуляторный электроинструмент (без кабеля питания от электросети).

1) БЕЗОПАСНОСТЬ РАБОЧЕГО МЕСТА

- Соблюдайте чистоту и поддерживайте надлежащую освещенность на рабочем месте.** Беспорядок на рабочем месте или его плохое освещение могут привести к несчастным случаям.
- Не используйте с электроинструментом во взрывоопасной среде, т.е. в непосредственной близости от легковоспламеняющихся жидкостей, газов или пыли.** В процессе работы электроинструмент искрит и искры могут воспламенить газы или пыль.

- c) При работе с электроинструментом не допускайте детей или посторонних на Ваше рабочее место. Отвлечение Вашего внимания может привести к потере контроля над работой электроинструмента.
- 2) ЭЛЕКТРИЧЕСКАЯ БЕЗОПАСНОСТЬ**
- a) Штепсельная вилка кабеля питания электроинструмента должна соответствовать розетке электросети. Не вносите никаких изменений в конструкцию вилки. Не используйте адаптеры для электроинструмента с защитным заземлением. Заводские штепсельные вилки и соответствующие им сетевые розетки существенно снижают вероятность электрошока.
- b) Избегайте механических контактов с такими заземленными поверхностями, как трубопроводы, системы отопления, плиты и холодильники. При соприкосновении человека с заземленными предметами во время работы инструментом вероятность электрошока существенно возрастает.
- c) Оберегайте электроинструмент от воздействия дождя и влаги. Попадание воды в электроинструмент повышает вероятность электрического удара.
- d) Используйте кабель строго по назначению. Не допускается тянуть и передвигать электроинструмент за кабель или использовать кабель для вытягивания вилки из розетки. Оберегайте кабель инструмента от воздействия высоких температур, масла, острых кромок или движущихся частей электроинструмента. Поврежденный или спутанный кабель повышает возможность электрического удара.
- e) При работе на улице используйте удлинитель, предназначенный для работы вне помещения. Использование такого удлинителя снижает вероятность электрического удара.
- f) Если невозможно избежать применения электроинструмента в сыром помещении, то устанавливайте устройство защиты от утечки в землю. Использование устройства защиты от утечки в землю снижает риск электрического поражения.
- 3) ЛИЧНАЯ БЕЗОПАСНОСТЬ**
- a) Будьте внимательны, следите за тем, что Вы делаете и выполняйте работу обдуманно. Не пользуйтесь электроинструментом, если Вы устали или находитесь под воздействием транквилизаторов, алкоголя или медицинских препаратов. Секундная потеря концентрации в работе с электроинструментом может привести к серьезным травмам.
- b) Используйте средства индивидуальной защиты. Защитные очки обязательны. Средства индивидуальной защиты, такие как противопылевой респиратор, нескользящая защитная обувь, шлем-каска, средства защиты органов слуха применяются в соответствующих условиях работы обстоятельствах и минимизируют возможность получения травм.
- c) Предотвращайте непреднамеренное включение электроинструмента. Перед подключением электроинструмента к электропитанию и/или к аккумулятору убедитесь в выключенном состоянии электроинструмента. Если Вы при транспортировке электроинструмента держите палец на выключателе или выключенный электроинструмент подключаете к сети питания, то это может привести к несчастному случаю.
- d) Во избежание травм перед включением электроинструмента удалите регулировочный или гаечный ключ из вращающейся части электроинструмента.
- e) Не переоценивайте свои возможности. Твердо стойте на ногах и удерживайте равновесие. В таком положении вы сможете лучше контролировать электроинструмент в неожиданных ситуациях.
- f) Используйте подходящую рабочую одежду. Не надевайте свободную одежду и украшения. Держите волосы и одежду вдали от движущихся частей. Свободная одежда, украшения или длинные волосы легко могут попасть в движущиеся части электроинструмента.
- g) При наличии пылестасывающих и пылесборных приспособлений убедитесь в том, что они подсоединены и используются надлежащим образом. Применение пылестоса может снизить опасность, создаваемые пылью.
- h) Хорошее знание электроинструментов, полученное в результате частого их использования, не должно приводить к самоуверенности и игнорированию техники безопасности обращения с электроинструментами. Одно небрежное действие за долю секунды может привести к серьезным травмам.
- 4) ЭКСПЛУАТАЦИЯ И УХОД ЗА ЭЛЕКТРОИНСТРУМЕНТОМ**
- a) Не перегружайте электроинструмент. Используйте тот электроинструмент, который предназначен для данной работы. С подходящим электроинструментом Вы выполните работу лучше и надежней, используя весь диапазон его возможностей.
- b) Не используйте электроинструмент с неисправным выключателем. Инструмент с неисправным выключателем опасен и подлежит ремонту.
- c) До начала наладки электроинструмента, замены принадлежностей или прекращения работы отключите штепсельную вилку от розетки сети и/или выньте, если это возможно, аккумулятор. Данная мера предосторожности предотвращает случайное включение электроинструмента.
- d) Храните неиспользуемый электроинструмент в недоступном для детей месте и не позволяйте использовать его лицам, не умеющим с ним обращаться или не ознакомленным с инструкцией по эксплуатации. Электроинструменты представляют собой опасность в руках неопытных пользователей.
- e) Тщательно ухаживайте за электроинструментом и принадлежностями. Проверяйте безупречность функции подвижных частей, лёгкость их хода, целостность всех частей и отсутствие повреждений, которые могут

- негативно сказаться на работе инструмента. При обнаружении повреждений сдайте инструмент в ремонт. Большое число несчастных случаев связано с неудовлетворительным уходом за электроинструментом.
- f) **Режущие части инструмента необходимо поддерживать в заточенном и чистом состоянии.** При надлежащем уходе за режущими принадлежностями с острыми кромками они реже заклиниваются и инструмент лучше поддается контролю.
- g) **Используйте электроинструмент, принадлежности, биты и т.д. в соответствии с данными инструкциями, исходя из особенностей условий и характера выполняемой работы.** Использование электроинструмента не по назначению может привести к опасным последствиям.
- h) **Держите ручки и поверхности захвата сухими и чистыми, следите чтобы на них чтобы на них не было жидкой или консистентной смазки.** Скользкие ручки и поверхности захвата препятствуют безопасному обращению с инструментом и не дают надежно контролировать его в непредвиденных ситуациях.
- 5) **ЭКСПЛУАТАЦИЯ И УХОД ЗА АККУМУЛЯТОРНЫМ ЭЛЕКТРОИНСТРУМЕНТОМ**
- a) **Зарядка аккумуляторной батареи производится только на тех зарядных устройствах, которые рекомендованы изготовителем.** Использование нерегламентированных зарядных устройств для зарядки аккумуляторной батареи может привести к возгоранию.
- b) **В электроинструменте надлежит использовать только те аккумуляторные батареи, которые предусмотрены для данного инструмента.** Использование других аккумуляторных батарей может привести к травмам и возникновению пожарной опасности.
- c) **Не оставляйте аккумуляторную батарею рядом с металлическими предметами – канцелярскими скрепками, монетами, ключами, гвоздями, винтами и другими металлическими предметами, которые могут замкнуть контакты.** Короткое замыкание контактов аккумуляторной батареи может привести к ожогам или пожару.
- d) **В случаях ненадлежащего обращения с аккумуляторной батареей из нее может вытечь жидкость. Избегайте контакта с ней. При случайном попадании жидкости на кожу – промойте водой. При попадании жидкости в глаза, обратитесь также за помощью к врачу.** Вытекшая аккумуляторная жидкость может привести к раздражению кожи или ожогам.
- e) **Не используйте поврежденные или измененные аккумуляторы или инструменты.** Поврежденные или измененные аккумуляторы могут повести себя непредсказуемо, что может привести к возгоранию, взрыву или риску получения травмы.
- f) **Не кладите аккумулятор или инструмент в огонь и не подвергайте их воздействию высоких температур.** Огонь или температура выше 130°C могут привести к взрыву.

- g) **Выполняйте все инструкции по зарядке и не заряжайте аккумулятор или инструмент при температуре, выходящей за указанный в инструкции диапазон.** Неправильная зарядка или зарядка при температурах, выходящих за указанный диапазон, могут повредить батарею и повысить риск возгорания.
- 6) **СЕРВИСНОЕ ОБСЛУЖИВАНИЕ**
- a) **Передавайте электроинструмент на сервисное обслуживание только квалифицированному персоналу, использующему только подлинные запасные части.** Это обеспечит сохранение безопасности электроинструмента.
- b) **Никогда не обслуживайте поврежденные аккумуляторы.** Обслуживать аккумуляторы разрешается только производителю или авторизованной сервисной организации.

ИНСТРУКЦИИ ПО ТЕХНИКЕ БЕЗОПАСНОСТИ ПРИ РАБОТЕ С МНОГОФУНКЦИОНАЛЬНЫМИ АККУМУЛЯТОРНЫМИ ИНСТРУМЕНТАМИ

- **Если при пользовании инструментом возможен контакт режущего органа со скрытой проводкой, инструмент следует держать за изолированные поверхности** (контакт режущего органа с проводкой под напряжением может поставить металлические части инструмента под напряжение и привести к поражению оператора электротоком)
- **Используйте струбцины или другой удобный способ для крепления изделия на прочной платформе и его поддержки** (если держать изделие в руках или прижимать к телу, оно будет недостаточно зафиксировано, что может привести к потере контроля)

ОБЩЕЕ

- Инструмент нельзя использовать лицам в возрасте до 16 лет
- Избегайте повреждений, которые могут быть вызваны винтами, гвоздями и прочими элементами, находящимися в обрабатываемом предмете; перед началом работы их нужно удалить
- **Не обрабатывайте материалы с содержанием асбеста** (асбест считается канцерогеном)
- Выньте аккумулятор из инструмента перед тем, как производить какое-либо регулирование в замену частей или
- При работе крепко держите инструмент обеими руками и займите устойчивое положение
- Пыль от таких материалов, как свинцовосодержащая краска, некоторые породы дерева, минералы и металл, может быть вредна (контакт с такой пылью или ее вдыхание может стать причиной возникновения у оператора или находившихся рядом лиц аллергических реакций и/или респираторных заболеваний); **надевайте респиратор и работайте с пылеудалющим устройством при включении инструмента**
- Некоторые виды пыли классифицируются как канцерогенные (например, дубовая или буковая пыль), особенно в сочетании с добавками для кондиционирования древесины; **надевайте респиратор и работайте с пылеудалющим устройством при включении инструмента**

- Следуйте принятым в вашей стране требованиям/ нормативам относительно пыли для тех материалов, с которыми вы собираетесь работать
- **При замене насадок используйте защитные перчатки** (контакт с насадкой может привести к травмам)
- Перед тем как положить инструмент, выключите двигатель и убедитесь в том, что все движущиеся детали полностью остановились

РАСПИЛИВАНИЕ ИЛИ РЕЗКА

- **Держите руки подальше от зоны выполнения резки**; ни в коем случае не трогайте разрезаемый материал снизу во время резки
- **Используйте подходящие металлодетекторы для нахождения скрытых проводов снабжения или наводите справки в местных предприятиях коммунального хозяйства** (контакт с электропроводкой может привести к пожару и электрическому удару; повреждение газопровода может привести к взрыву; повреждение водопровода может привести к повреждению имущества или вызвать электрический удар)
- Не используйте деформированные, тупые пилки/ диски и т.п. и пилки/диски с трещинами

ШЛИФОВНА

- **Используйте инструмент только для сухой шлифовки** (попадание воды в инструмент повышает риск поражения электрическим током)
- Не следует прикасаться к движущейся шлифовальной листе
- Не следует использовать изношенную, порванную или сильно загрязнённую шлифовальную листы
- При обработке металлической поверхности наблюдается искрение; не следует использовать пылесос, а также нельзя допускать в рабочую зону посторонних людей и воспламеняемые материалы

АНКУМУЛЯТОРЫ

- **Прилагаемый аккумулятор частично заряжен** (чтобы воспользоваться полной емкостью аккумулятора, полностью зарядите аккумулятор в зарядном устройстве перед первым использованием электроинструмента)
- **При эксплуатации инструмента следует пользоваться только следующими аккумуляторами и зарядными устройствами**
 - Аккумулятор SKIL: BR1 *31****
 - Зарядное устройство SKIL: CR1 *31****
- Запрещается пользоваться поврежденным аккумулятором; его необходимо заменить
- Запрещается разбирать аккумулятор
- Не оставляйте инструмент / аккумулятор под дождем
- Допустимая температура окружающей среды (инструмент/зарядное устройство/аккумулятор):
 - при зарядке 4...40°C
 - при эксплуатации -20...+50°C
 - при хранении -20...+50°C

ПОЯСНЕНИЯ К УСЛОВНЫМ ОБОЗНАЧЕНИЯМ НА ИНСТРУМЕНТЕ/АНКУМУЛЯТОРНОЙ БАТАРЕЕ

- ③ На этот инструмент можно устанавливать наиболее распространенные многофункциональные насадки, включая существующие базовые насадки OIS и Starlock
- ④ Перед использованием ознакомьтесь с руководством по эксплуатации
- ⑤ При попадании в огонь батареи взрываются, поэтому ни в коем случае не сжигайте батареи

- ⑥ В зоне хранения инструмента, зарядного устройства и аккумулятора температура не должна подниматься выше 50°C
- ⑦ Не выкидывайте электроинструмент и батареи вместе с бытовым мусором

ИСПОЛЬЗОВАНИЕ

- Зарядка аккумулятора
 - ! ознакомьтесь с прилагаемыми к зарядному устройству правилами техники безопасности
- Извлечение / установка аккумулятора ②
- Индикатор уровня заряда ⑧
 - чтобы узнать текущий уровень заряда аккумулятора ⑧а, нажмите на кнопку индикатора уровня заряда M
 - ! если после нажатия кнопки M ⑧b начинает мигать самый низкий уровень индикатора батареи, значит аккумулятор разряжен
 - ! если после нажатия кнопки M ⑧с начинают мигать уровни 2 индикатора батареи, значит температура аккумулятора находится за пределами допустимого диапазона рабочих температур
- Световой индикатор L ⑨
 - При активации выключателя автоматически загорается светодиодный индикатор
 - ! если светодиод начинает мигать, активируется защита аккумулятора (см. ниже)
- Защита аккумулятора
 - Инструмент внезапно выключается или не может быть включен, когда
 - нагрузка слишком высока --> уменьшите нагрузку и выполните перезапуск
 - температура аккумулятора выходит за пределы допустимого диапазона рабочих температур от -20 до +50 °C --> при нажатии кнопки M ⑨с начинают мигать уровни 2 индикатора уровня заряда батареи; дождитесь, пока температура аккумулятора вернется в допустимый диапазон рабочих температур
 - аккумулятор почти разряжен (для защиты от глубокого разряда) --> низкий уровень заряда батареи или мигающий низкий уровень заряда батареи ⑧b отображается индикатором уровня заряда батареи при нажатии кнопки M; зарядите аккумулятор
 - ! в случае автоматического выключения инструмента не пытайтесь включить его снова, поскольку при этом может быть повреждена батарея
- Сменные насадки ⑩
 - ! выньте аккумулятор из инструмента
 - снимайте или устанавливайте требуемые насадки, как показано на рисунке
 - убедитесь, что в отверстия насадки входят выступы на головке инструмента (возможно любое положение фиксации)
 - устанавливайте насадку вогнутым центром вниз
 - проверяйте надежность фиксации насадки (неправильно или ненадежно закрепленные насадки могут отделяться во время работы и представлять опасность)

- Отсасывание пыли ①
 - ! **выньте аккумулятор из инструмента**
 - переходником для подсоединения пылесоса
 - Е следует пользоваться только при работе со шлифовальной пластиной J
 - установите адаптер для подсоединения пылесоса J как показано
 - подключите пылесос
 - ! **не используйте пылеудаляющее устройство или пылесос при шлифовке металла**
 - для оптимального сбора пыли регулярно чистите переходник для подсоединения пылесоса J
- Установка шлифовочного листа ②
 - очищайте клейкую часть шлифовального листа VELCRO перед установкой насадки со шкуркой E
 - установите наждачный лист VELCRO H как показано
 - ! **система отсасывания пыли требует использования перфорированных шлифовочных листов**
 - ! **перфорация в шлифовочных листах должна соответствовать перфорации в основании шлифмашины**
 - ! **меняйте стертые шлифовочные листы вовремя**
 - ! **всегда используйте инструмент при условии, что шлифовальный лист покрывает всю шлифовальную поверхность VELCRO**
- Вкл/Выкл
 - инструмент включается/выключается перемещением переключателя C ② в положение “I”/“O”
 - ! **до контакта с обрабатываемыми поверхностями скорость вращения устройства должна быть доведена до максимальной**
 - ! **перед тем как выключить инструмент, его следует поднять над обрабатываемым изделием**
- Регулировка рабочей скорости ③
 - с помощью регулятора D можно отрегулировать требуемую частоту колебаний от низкого уровня (1) до высокого (6) (это можно выполнять при работающем инструменте)
 - оптимальная рабочая скорость зависит от используемого материала и может быть определена на практике
- Удерживание и направление инструмента
 - ! **во время работы, всегда держите инструмент за места правильного хвата, которые обозначены серым цветом ④**
 - содержите вентиляционные отверстия K не закрытыми
 - избегайте излишнего нажима на инструмент (при сильном нажиме пилка перегревается, что может привести к ее преждевременному износу)
- Ограничитель глубины (DEPTH STOP) (не входит в стандартный комплект поставки) ⑤

СОВЕТЫ ПО ИСПОЛЬЗОВАНИЮ

- Для обеспечения оптимальных результатов при работе с различными материалами используйте таблицу ⑥ для справок, чтобы правильно подобрать принадлежность (включены нестандартные принадлежности)
- Подробнее на сайте www.skil.com

ТЕХОБСЛУЖИВАНИЕ / СЕРВИС

- Данный инструмент не подходит для промышленного использования
- Инструмент следует содержать в чистоте (особенно вентиляционные отверстия K ②)
 - ! **перед чисткой следует извлечь из инструмента аккумулятор**
- Если инструмент, несмотря на тщательные методы изготовления и испытания, выйдет из строя, то ремонт следует производить силами авторизованной сервисной мастерской для электроинструментов фирмы SKIL
 - отправьте **неразобранный** инструмент со свидетельством покупки Вашему дилеру или в ближайшую станцию обслуживания фирмы SKIL (адреса и схема обслуживания инструмента приведены в вебсайте www.skil.com)
- Примите к сведению, что повреждения вследствие перегрузки или ненадлежащего обращения с инструментом не будут включены в гарантию (условия гарантии SKIL см. на сайте www.skil.com или узнайте у дилера в Вашем регионе)

ОХРАНА ОКРУЖАЮЩЕЙ СРЕДЫ

- **Не выкидывайте электроинструмент, батареи, принадлежности и упаковку вместе с бытовым мусором** (только для стран ЕС)
 - во исполнение европейской директивы 2012/19/ЕС об утилизации отслужившего свой срок электрического и электронного оборудования и в соответствии с действующим законодательством, утилизация электроинструментов производится отдельно от других отходов на предприятиях, соответствующих условиям экологической безопасности
 - значок ⑦ напомним Вам об этом, когда появится необходимость сдать электроинструмент на утилизацию
 - ! **перед тем как выбросить аккумуляторы или направить их на утилизацию, изолируйте клеммы аккумуляторов прочной изоляционной лентой для исключения короткого замыкания**

ШУМ / ВИБРАЦИЯ

- Согласно измерениям в соответствии с EN 62841 уровень звукового давления этого инструмента составляет 86,5 дБ(A), уровень звуковой мощности — 97,5 дБ(A) (погрешность K = 3 дБ), а вибрация * (векторная сумма по трем осям; погрешность K = 1,5 м/с²)
 - * при зачистке < 2,5 м/с²
- Уровень вибрации был измерен в соответствии со стандартизированным испытанием, содержащимся в EN 62841; данная характеристика может использоваться для сравнения одного инструмента с другим, а также для предварительной оценки воздействия вибрации при использовании данного инструмента для указанных целей
 - при использовании инструмента в других целях или с другими/неисправными вспомогательными приспособлениями уровень воздействия вибрации может значительно **повышаться**

- в периоды, когда инструмент отключен или функционирует без фактического выполнения работы, уровень воздействия вибрации может значительно **снижаться**

! защищайте себя от воздействия вибрации, поддерживая инструмент и его вспомогательные приспособления в исправном состоянии, поддерживая руки в тепле, а также правильно организуя свой рабочий процесс

UA

Безщітковий бездротовий багатofункціональний інструмент 3650

ВСТУП

- Цей інструмент призначений для розпилювання та розрізання деревини, пластику, штукатурки, металів та м'якої облицювальної плитки, а також для сухого шліфування і шабрування невеликих поверхонь
- Він особливо придатний для роботи понад краєм, для врізного пиляння та врівень із краєм
- Цей інструмент не придатний для промислового використання
- Для даного інструмента підходять більшість насадок для універсальних інструментів, включно з наявними у продажу насадками OIS та Starlock ③
- Прочитайте і збережіть цю Інструкцію з експлуатації ④

ТЕХНІЧНІ ДАНІ ①

ЕЛЕМЕНТИ ІНСТРУМЕНТА ②

- A Затиский важіль
- B Закріпний гвинт з шайбою
- C Вимикач живлення
- D Колесо вибору швидкості
- E Абразивна накладка
- F Сегментне лезо пили
- G Лезо пили для обробки врізанням
- H Наждачний лист
- J Адаптер пилососу
- K Вентиляційні отвори
- L Світлодіодний індикатор
- M Індикатор рівня заряду батареї
- N Обмежувач глибини *

* СТАНДАРТНО В КОМПЛЕКТ НЕ ВКЛЮЧАЄТЬСЯ

БЕЗПЕКА

ЗАГАЛЬНІ ВКАЗІВКИ З ТЕХНІКИ БЕЗПЕКИ ПОВОДЖЕННЯ З ЕЛЕКТРОІНСТРУМЕНТАМИ

▲ ПОПЕРЕДЖЕННЯ Уважно вивчіть запобіжні заходи та ілюстрації, а також прочитайте вказівки та технічні умови, що входять в комплект поставки цього електроінструменту. Недотримання нижчеперелічених вказівок у повному обсязі може спричинити ураження електричним струмом, пожежу та / або серйозну травму.

Добре зберігайте на майбутнє ці попередження і вказівки.

Під поняттям “електроприлад” в цих попередженнях мається на увазі електроприлад, що працює від мережі (з електрокабелем) або від акумуляторної батареї (без електрокабелю).

1) БЕЗПЕКА НА РОБОЧОМУ МІСЦІ

- a) **Примайте своє робоче місце в чистоті та прибирайте його.** Безлад або погане освітлення на робочому місці можуть призводити до нещасних випадків.
- b) **Не працюйте з приладом у середовищі, де існує небезпека вибуху внаслідок присутності горючих рідин, газів або пилу.** Електроприлади можуть породжувати іскри, від яких може займатися пил або пари.
- c) **Під час працювання з приладом не підпускайте до робочого місця дітей та інших людей.** Ви можете втратити контроль над приладом, якщо Ваша увага буде відвернута.

2) ЕЛЕКТРИЧНА БЕЗПЕКА

- a) **Штепсель приладу повинен пасувати до розетки. Не дозволяється що-небудь міняти в штепселі. Для роботи з приладами, що мають захисне заземлення, не використовуйте адаптери.** Використання оригінального штепселя та належної розетки зменшує ризик удару електричним струмом.
- b) **Уникайте контакту частей тіла із заземленими поверхнями, як напр., трубами, батареями опалення, печами та холодильниками.** Коли Ваше тіло заземлене, існує збільшена небезпека удару електричним струмом.
- c) **Захищайте прилад від дощу та вологи.** Попадання води в електроінструмент збільшує ризик удару електричним струмом.
- d) **Не використовуйте кабель для перенесення приладу, підвішування або витягування штепселя з розетки. Захищайте кабель від жару, олії, гострих країв та деталей приладу, що рухаються.** Пошкоджений або закручений кабель збільшує ризик удару електричним струмом.
- e) **Для зовнішніх робіт обов'язово використовуйте лише такий подовжувач, що допущений для зовнішніх робіт.** Використання подовжувача, що розрахований на зовнішні роботи, зменшує ризик удару електричним струмом.
- f) **Якщо не можна запобігти використанню електроприладу у вологому середовищі, використовуйте пристрій захисту від витоків в землю.** Використання зристою захисту від витоків в землю зменшує ризик удару електричним струмом.

3) БЕЗПЕКА ЛЮДЕЙ

- a) **Будьте уважними, слідуйте за тим, що Ви робите, та розсудливо поведіться під час роботи з електроприладом. Не користуйтеся приладом, якщо Ви стомлені або знаходитесь під дією наркотиків, спиртних напоїв або лік.** Мить неуважності при користуванні приладом може призводити до серйозних травм.
- b) **Вдягайте особисте захисне спорядження та обов'язово вдягайте захисні окуляри.**

Вдягання особистого захисного спорядження, як напр., - в залежності від виду робіт - захисної маски, спецвзуття, що не ковзається, каски або навушників, зменшує ризик травм.

- c) **Уникайте ненавмисного вмикання. Перш ніж вмикати електроприлад в електромережу або встромляти акумуляторну батарею, брати його в руки або переносити, впевніться в тому, що електроприлад вимкнений.** Тримання пальця на вимикачі під час перенесення електроприладу або встромлення в розетку увімкненого приладу може призводити до травм.
- d) **Перед тим, як вмикати прилад, приборіть налагоджувальні інструменти та гайковий ключ.** Знаходження налагоджувального інструмента або ключа в деталі, що обертається, може призводити до травми.
- e) **Не переоцінюйте себе. Зберігайте стійке положення та завжди зберігайте рівновагу.** Це дозволить Вам краще зберігати контроль над приладом у несподіваних ситуаціях.
- f) **Вдягайте придатний одяг. Не вдягайте просторий одяг та прикраси. Не підставляйте волосся й одяг до деталей, що рухаються.** Просторий одяга, прикраси та довге волосся можуть попадати в деталі, що рухаються.
- g) **Якщо існує можливість монтувати пилівідсмоктувальні або пилоуловлювальні пристрої, переконайтеся, щоб вони були добре під'єднані та правильно використовувалися.** Використання пилівідсмоктувального пристрою може зменшити небезпеки, зумовлені пилом.
- h) **Добре знання електроінструментів, отримане в результаті частого їх використання, не повинно призводити до самовпевненості й ігнорування принципів техніки безпеки.** Необережна дія може в одну мить призвести до важкої травми.
- 4) **ПРАВИЛЬНЕ ПОВЕДІННЯ ТА КОРИСТУВАННЯ ЕЛЕКТРОПРИЛАДАМИ**
 - a) **Не перевантажуйте прилад. Використовуйте такий прилад, що спеціально призначений для певної роботи.** З придатним приладом Ви з меншим ризиком отримаєте кращі результати роботи, якщо будете працювати в зазначеному діапазоні потужності.
 - b) **Не користуйтеся приладом з пошкодженим вимикачем.** Прилад, який не можна увімкнути або вимкнути, є небезпечним і його треба відремонтувати.
 - c) **Перед тим, як регулювати що-небудь на приладі, міняйте приладді або ховати прилад, витягніть штепсель із розетки та/або витягніть акумуляторну батарею, якщо вона знімається.** Ці попереджувальні заходи з техніки безпеки зменшують ризик ненавмисного запуску приладу.
 - d) **Зберігайте електроприлади, якими Ви саме не користуєтесь, далеко від дітей. Не дозволяйте користуватися електроприладом особам, що не знайомі з його роботою або не читали ці вказівки.** У разі застосування недосвідченими особами прилади несуть в собі небезпеку.
 - e) **Старанно доглядайте за електроінструментами і приладдям. Перевірте, щоб рухомі деталі**

приладу бездоганно працювали та не заїдали, не були поламаними або настільки пошкодженими, щоб це могло вплинути на функціонування приладу. Пошкоджені деталі треба відремонтувати в авторизованій майстерні, перш ніж ними можна знову користуватися. Велика кількість нещасних випадків спричиняється поганим доглядом за електроприладами.

- f) **Тримайте різальні інструменти добре нагостреними та в чистоті.** Старанно доглянуті різальні інструменти з гострим різальним краєм менше застряють та їх легше вести.
- g) **Використовуйте електроприлади, приладдя до них, робочі інструменти т.і. відповідно до цих вказівок. Беріть до уваги при цьому умови роботи та специфіку виконуваної роботи.** Використання електроприладів для робіт, для яких вони не передбачені, може призводити до небезпечних ситуацій.
- h) **Тримайте рукоятки і поверхні захвату сухими і чистими, слідкуйте, щоб на них не було оливи або густого мастила.** Слизькі рукоятки і поверхні захвату унеможливають безпечне поводження з електроінструментом та його контролювання в неочікуваних ситуаціях.
- 5) **ПРАВИЛЬНЕ ПОВЕДІННЯ ТА КОРИСТУВАННЯ ЕЛЕКТРОПРИЛАДАМИ, ЩО ПРАЦЮЮТЬ НА АКУМУЛЯТОРНИХ БАТАРЕЯХ**
 - a) **Заряджуйте акумуляторні батареї лише в заряджувальних пристроях, рекомендованих виготовлявачем.** Використання заряджувального пристрою для акумуляторних батарей, для яких він не передбачений, може призводити до пожежі.
 - b) **Використовуйте в електроприладах лише рекомендовані акумуляторні батареї.** Використання інших акумуляторних батарей може призводити до травм та пожежі.
 - c) **Не зберігайте акумуляторну батарею, якою Ви саме не користуєтесь, поряд із канцелярськими скріпками, ключами, гвіздками, гвинтами та іншими невеликими металевими предметами, які можуть спричинити перемикання контактів.** Коротке замикання між контактами акумуляторної батареї може спричинити опіки або пожежу.
 - d) **При неправильному використанні з акумуляторної батареї може потекти рідина. Уникайте контакту з нею. При випадковому контакті промийте відповідне місце водою. Якщо рідина потрапила в очі, додатково зверніться до лікаря.** Акумуляторна рідина може спричинити подразнення шкіри або опік.
 - e) **Не використовуйте пошкоджені або модифіковані акумулятори або електроінструменти.** Пошкоджені або модифіковані акумулятори повестися неочікувано, що може призвести до пожежі, вибуху або ризику травми.
 - f) **Не піддавайте акумулятор або електроінструмент дії вогню або високих температур.** Вогонь або температури вищі за 130°C можуть призвести до вибуху.
 - g) **Виконуйте всі вказівки із заряджання і не заряджайте акумулятор або електроінструмент за температур, що виходять за вказані в**

інструкції межі. Неправильне заряджання або заряджання за температур, що виходять за вказані межі, може пошкодити батарею і підвищити ризик займання.

6) СЕРВІС

- a) **Віддавайте свій прилад на ремонт лише кваліфікованим фахівцям та лише з використанням оригінальних запчастин.** Це забезпечить безпечність приладу на довгий час.
- b) **Ніколи не обслуговуйте пошкоджені акумулятори.** Обслуговувати акумулятори дозволяється лише виробнику або авторизованим сервісним організаціям.

ПРАВИЛА ТЕХНІКИ БЕЗПЕКИ ДЛЯ БЕЗДРОТОВИХ БАГАТОФУНКЦІОНАЛЬНИХ ІНСТРУМЕНТІВ

- **Під час роботи, коли робочий інструмент може зачепити захвану електропроводку, тримайте електроінструмент за ізольовані рукоятки** (зачеплення проводки, що знаходиться під напругою, може заряджувати також і металеві частини електроінструмента та призводити до удару електричним струмом)
- **Застосовуйте затискачі або інші засоби фіксації та опори виробу на стабільній платформі** (затискання виробу руками або з притисканням до тіла робить його нестабільним та може призвести до втрати контролю за інструментом)

ЗАГАЛЬНЕ

- Цей інструмент не можна використовувати особам віком до 16 років
- Не допускайте пошкоджень, які можуть нанести шурупи, цвяхи і інші елементи вашому виробу; видаліть їх перед початком роботи
- **Не обробляйте матеріали, що містять асбест** (асбест вважається канцерогенним)
- Виймайте акумулятор з інструмента перед виконанням будь-яких регулювань або замінування частин та приладдя
- При роботі завжди міцно тримайте інструмент двома руками та займайте надійну позу
- Пил від таких матеріалів, як свинцовоутримуюча фарба, деякі породи дерева, мінерали й метал, може бути шкідливим (контакт із таким пилом або його вдихання може стати причиною виникнення в оператора або осіб, що перебувають поруч, алергійних реакцій і/або респіраторних захворювань); **надягайте респіратор і працюйте з пиловиділяючим пристроєм під час увімкнення інструмента**
- Деякі види пилу класифікуються як канцерогенні (наприклад, дубовий або буковий пил), особливо в сполученні з добавками для кондиціонування деревини; **надягайте респіратор і працюйте з пиловиділяючим пристроєм під час увімкнення інструмента**
- Слідуйте інструкціям по роботі з матеріалами, що продуцуючими пил
- **Під час заміни насадок одягайте захисні рукавички** (торкання до гострих насадок може спричинити травми)
- Коли ви закінчили роботу з інструментом, вимкніть мотор і переконайтеся, що всі рухомі частини повністю зупинилися

ПІД ЧАС РОЗПИЛЮВАННЯ/РІЗАННЯ

- **Тримайте руки подалі від зони виконання різання;** під час різання у жодному разі не торкайтеся низу матеріалу, що розрізається
- **Використовуйте придатні пошукові прилади для знаходження захованих в будівлі труб та кабелів або зверніться за допомогою в місцеве підприємство електро-, газо- та водопостачання** (зачеплення електропроводки може призводити до пожежі та удару електричним струмом; зачеплення газової труби може призводити до вибуху; зачеплення водопроводної труби може завдати шкоду матеріальним цінностям або призводити до удару електричним струмом)
- Не використовуйте тупі, деформовані та поламані пилки

ПІД ЧАС АБРАЗИВНОГО ШЛІФУВАННЯ

- **Використовуйте даний інструмент тільки для сухого шліфування** (поτραπлення води всередину інструмента підвищує ризик ураження електрострумом)
- Не торкайтеся до рухомого наждачного листа
- Не використовуйте зношені, порвані або засмічені наждачні листи
- При обробці металу можуть з'являтися іскри; не використовуйте пиლოსос і видаліть займісті матеріали з робочої зони

АКУМУЛЯТОР

- **Акумулятор, який постачається в комплекті, є частково зарядженим** (повністю зарядіть акумулятор в зарядному пристрої перед першим використанням свого електроінструменту, щоб забезпечити повну потужність акумулятора)
- **Використовуйте з інструментом тільки такі акумулятори і зарядні пристрої**
 - Акумулятор SKIL: BR1*31****
 - Зарядний пристрій SKIL: CR1*31****
- Не використовуйте пошкоджені акумулятор; його треба замінити
- Не розбирайте акумулятор
- Виключіть можливість потрапляння дощу на інструмент або акумулятор
- Дозволена температура довкілля (інструмент/зарядний пристрій/акумулятор):
 - під час зарядження 4...40°C
 - під час роботи -20...+50°C
 - під час зберігання -20...+50°C

ПОЯСНЕННЯ ДО УМОВНИХ ПОЗНАЧЕНЬ НА ІНСТРУМЕНТІ/АКУМУЛЯТОРІ

- ③ Для даного інструмента підходять більшість насадок для універсальних інструментів, включно з наявними у продажу основними насадками OIS та Starlock
- ④ Перед використанням прочитайте інструкцію із застосування
- ⑤ При влученні у вогонь батареї вибухають, тому в жодному разі не спалюйте батареї
- ⑥ Зберігайте інструмент/зарядний пристрій/акумулятор при температурі не більшій 50°C
- ⑦ Не викидайте електроінструмент та батареї разом зі звичайним сміттям

ВИКОРИСТАННЯ

- Заряджання акумулятора **! ознайомтеся з попередженнями і вказівками з техніки безпеки, які надаються з зарядним пристроєм**

- Видалення/встановлення батареї ②
- Індикатор рівня заряду батареї ⑧
 - натисніть кнопку індикатора рівня заряду акумулятора М, щоб дізнатися поточний рівень заряду ⑧а
 - ! якщо після натиснення кнопки М ⑧b починає блимати індикатор найнижчого рівня заряду батареї, то батарея розряджена
 - ! якщо 2 увесь індикатор рівня заряду батареї після натиснення кнопки М ⑧c починає блимати, батарея не знаходиться в допустимому діапазоні робочих температур
- Світлодіодний індикатор L ⑨
 - LED-індикатор автоматично загоряється при активації перемикача вкл / вилк
 - ! коли світлодіод починає блимати, антивується захист акумулятора (див. нижче)
- Захист акумулятора
 - Інструмент раптово вимикається або не вмикається, якщо
 - навантаження занадто високе --> приборіть навантаження і перезапустіть
 - температура батареї не знаходиться в допустимому діапазоні робочих температур від -20 до +50°C --> 2 усі індикатори рівня батареї починають блимати при натиснанні кнопки М ⑧c; зачекайте, поки батарея не повернеться в допустимий діапазон робочих температур
 - батарею майже розряджено (для захисту від глибокого розряду) --> низький рівень заряду батареї або блимання низького рівня заряду батареї ⑧b показано індикатором рівня заряду батареї при натиснанні кнопки М; зарядіть батарею
 - ! не продовжуйте роботу та не натискайте вмикач після автоматичного вимкнення інструмента; такими діями можна пошкодити батарею
- Заміна приладдя ⑩
 - ! виймайте акумулятор з інструмента
 - знімайте/встановлюйте необхідну насадку згідно з інструкціями на малюнку
 - переконайтеся, що передбачені на насадці отвори входять в виступи голівки інструменту (в усіх можливих защіплювальних положеннях)
 - встановлюйте насадку втисненим центром вниз
 - перевірте, що насадка сидить туго (неправильно та ненадійно закріплена насадка може ослабитися під час експлуатації та призвести до виникнення небезпечних ситуацій)
- Пилосос ⑪
 - ! виймайте акумулятор з інструмента
 - використовуйте адаптер для пилососомкувача J тільки при роботі з абразивною накладкою Е
 - встановіть адаптер для пилососомкувача J так, як показано на малюнку
 - під'єднайте пилосос
 - ! не використовуйте механізм видалення пилу/пилосос при шліфуванні металу
 - регулярно очищуйте адаптер для пилососомкувача J для кращого пилососовування
- Установка наждачного листа ⑫
 - вибійте пил з матеріалу VELCRO на абразивній накладці, Е перш ніж встановлювати наждачний лист

- встановіть наждачний лист VELCRO Н як показано на малюнку
- ! для засмонтування пилу потрібні перфоровані наждачні листи
- ! перфорація в наждачному листі повинна співпадати з перфорацією в робочій пластині
- ! своєчасно замініть наждачні листи
- ! завжди повністю закривайте робочу поверхню VELCRO наждачним папером
- Вкл/Вилк
 - вкл/вилк. інструмент поставивши вимикач С ② у положення "I"/"O"
 - ! перш ніж приладдя торкнеться оброблюваного виробу, інструмент повинен набрати повні оберти
 - ! перш ніж вимкнути інструмент, його треба відвести від оброблюваного виробу
- Відрегулюйте роботу швидкість ⑬
 - колесом для регулювання D необхідну частоту коливань можна регулювати від низької (1) до високої (6) (також під час роботи)
 - оптимальна робоча швидкість залежить від матеріалу і може визначатися шляхом практичних випробувань
- Утримування і робота інструментом
 - ! під час роботи, завжди тримайте інструмент за частини захвату сірого кольору ⑭
 - тримайте вентиляційні отвори К незакритими
 - уникайте надмірного натиску на інструмент (сильний натиск спричиняє надмірний нагрів пилки та може призвести до її передчасного зношування)
- Обмежувач глибини (DEPTH STOP) (не включається в стандартний комплект поставки) ⑮

ПОРАДИ ПО ВИКОРИСТАННЮ

- Для отримання найкращих результатів при роботі з різними матеріалами використовуйте таблицю ⑯ для визначення відповідної насадки (насадки не включаються в стандартний комплект поставки)
- Дивіться додаткову інформацію на сайті www.skil.com

ДОГЛЯД/ОБСЛУГОВУВАННЯ

- Цей інструмент не придатний для промислового використання
- Завжди тримайте інструмент в чистоті (особливо вентиляційні отвори К ②)
 - ! виймайте акумулятор з інструмента перед очищенням
- Якщо незважаючи на ретельну технологію виготовлення і перевірки інструмент все-таки вийде з ладу, його ремонт дозволяється виконувати лише в авторизованій сервісній майстерні для електроприладів SKIL
 - надішліть нерозібраний інструмент разом з доказом купівлі до Вашого дилера або до найближчого центру обслуговування SKIL (адреси, а також діаграма обслуговування пристрою, подаються на сайті www.skil.com)
- Візьміть до відома, що ушкодження внаслідок перевантаження або неналежного поводження з інструментом не будуть включені в гарантію (умови гарантії SKIL див. на сайті www.skil.com або довідайтеся в дилера у Вашому регіоні)

ΟΧΟΡΟΝΑ ΝΑΒΚΟΛΙШНЬОЇ СЕРЕДИ

- **Не викидайте електроінструмент, батареї, належності та упакування разом зі звичайним сміттям** (тільки для країн ЄС)
 - відповідно до європейської директиви 2012/19/ЄС щодо утилізації старих електричних та електронних приладів, в залежності з місцевим законодавством, електроінструмент, який перебував в експлуатації повинен бути утилізований окремо, безпечним для навколишнього середовища шляхом
 - малюнок ⑦ нагадає вам про це
- ! **перед тим, як позбутись акумулятора: заклейте грубою клейкою стрічкою клемі, щоб запобігти короткому замиканню**

ШУМ / ВІБРАЦІЯ

- За вимірами відповідно до EN 62841 рівень звукового тиску цього інструменту становлює 86,5 дБ(А) та рівень потужності звуку дорівнює 97,5 дБ(А) (коефіцієнт недостовірності K = 3 дБ), а вібрація * (трисекційна векторна сума; коефіцієнт недостовірності K = 1,5 м/с²)
 - * шліфування < 2,5 м/с²
- Рівень вібрації було виміряно у відповідності зі стандартизованим випробуванням, що міститься в EN 62841 ; дана характеристика може використовуватися для порівняння одного інструмента з іншим, а також для попередньої оцінки впливу вібрації під час застосування даного інструмента для вказаних цілей
 - при використанні інструмента в інших цілях або з іншими/несправними допоміжними пристосуваннями рівень впливу вібрації може значно **підвищуватися**
 - у періоди, коли інструмент вимикнений або функціонує без фактичного виконання роботи, рівень впливу вібрації може значно **знижуватися**
- ! **захщайте себе від впливу вібрації, підтримуючи інструмент і його допоміжні пристосування в справному стані, підтримуючи руки в теплі, а також правильно організуючи свій робочий процес**

GR

Επαναφορτιζόμενο εργαλείο 3650 πολλαπλής χρήσης brushless

ΕΙΣΑΓΩΓΗ

- Αυτό το εργαλείο προορίζεται για πρίονισμα και κόψιμο σε ξύλα, πλαστικά, σοβά, μέταλλα και μαλακά πλακάκια τοίχου, καθώς και για την ξηρή λείανση και απόξεση μικρών επιφανειών
- Είναι ιδιαίτερα κατάλληλο για εργασίες κοντά στο περιθώριο, για κοπή εντορμίας καθώς και για την εξομάλυνση ακμών πολλών αλληπάλληλων επιφανειών
- Αυτό το εργαλείο δεν προορίζεται για επαγγελματική χρήση
- Αυτό το εργαλείο δέχεται τα περισσότερα αξεσουάρ από εκείνα που συνήθως διατίθενται για πολυεργαλεία, συμπεριλαμβανομένων των αξεσουάρ της OIS και Starlock ③
- Διαβάστε και φυλάξτε αυτές τις οδηγίες χρήσεως ④

ΤΕΧΝΙΚΑ ΧΑΡΑΚΤΗΡΙΣΤΙΚΑ ①

ΜΕΡΗ ΤΟΥ ΕΡΓΑΛΕΙΟΥ ②

- A Μοχλός μανδάλωσης
 - B Βίδα στερέωσης με ροδέλα
 - C Διακόπτης εκκίνησης/στάσης
 - D Τροχίσκος επιλογής ταχύτητας
 - E Πέλμα λείανσης
 - F Διαιρούμενη πριονόλαμα
 - G Πριονόλαμα βυθιζόμενης κοπής
 - H Φύλλο γυαλόχαρτο
 - J Προσαρμοστικό της ηλεκτρικής σκούπας
 - K Σχισμές αερισμού
 - L Λαμπάκι LED
 - M Ένδειξη κατάστασης μπαταρίας
 - N Εξάρτημα ρύθμισης βάθους *
- * ΔΕΝ ΠΕΡΙΛΑΜΒΑΝΕΤΑΙ ΣΤΗ ΣΤΑΝΤΑΡ ΣΥΣΚΕΥΑΣΙΑ

ΑΣΦΑΛΕΙΑ

ΓΕΝΙΚΕΣ ΥΠΟΔΕΙΞΕΙΣ ΑΣΦΑΛΕΙΑΣ ΓΙΑ ΗΛΕΚΤΡΙΚΑ ΕΡΓΑΛΕΙΑ

ΠΡΟΕΙΔΟΠΟΙΗΣΗ Διαβάστε όλες τις προειδοποιήσεις ασφαλείας καθώς και τις οδηγίες, εικόνες και προδιαγραφές που παρέχονται με αυτό το ηλεκτρικό εργαλείο. Αμέλεια τήρησης όλων των οδηγιών που παρατίθενται παρακάτω μπορεί να προκαλέσει ηλεκτροπληξία, πυρκαγιά ή/και σοβαρό τραυματισμό.

Φυλάξτε όλες τις υποδείξεις ασφαλείας και τις οδηγίες για το μέλλον.

Ο ορισμός “ηλεκτρικό εργαλείο” που χρησιμοποιείται στις προειδοποιητικές υποδείξεις αναφέρεται σε ηλεκτρικά εργαλεία που τροφοδοτούνται από το ηλεκτρικό δίκτυο (με ηλεκτρικό καλώδιο) καθώς και σε ηλεκτρικά εργαλεία που τροφοδοτούνται από μπαταρία (χωρίς ηλεκτρικό καλώδιο).

1) ΑΣΦΑΛΕΙΑ ΣΤΟ ΧΩΡΟ ΕΡΓΑΣΙΑΣ

- a) Διατηρείτε το χώρο που εργάζεσθε καθαρό και καλά φωτισμένο. Αταξία στο χώρο που εργάζεσθε ή μη φωτισμένες περιοχές εργασίας μπορεί να οδηγήσουν σε ατυχήματα.
- b) Μην εργάζεσθε με το ηλεκτρικό εργαλείο σε περιβάλλον που υπάρχει κίνδυνος έκρηξης, στο οποίο υπάρχουν εύφλεκτα υγρά, αέρια ή σκόνη. Τα ηλεκτρικά εργαλεία μπορεί να δημιουργήσουν σπινθηρισμό ο οποίος μπορεί να αναφλέξει τη σκόνη ή τις αναθυμιάσεις.
- c) Όταν χρησιμοποιείτε το ηλεκτρικό εργαλείο κρατάτε τα παιδιά και άλλα τυχόν πρόσωπα μακριά από το χώρο που εργάζεσθε. Σε περίπτωση που άλλα άτομα αποσπάσουν την προσοχή σας μπορεί να χάσετε τον έλεγχο του μηχανήματος.

2) ΗΛΕΚΤΡΙΚΗ ΑΣΦΑΛΕΙΑ

- a) Το φως του καλωδίου του ηλεκτρικού εργαλείου πρέπει να ταυριάζει στην αντίστοιχη πρίζα. Δεν επιτρέπεται με κανένα τρόπο η μετασκευή του φως. Μην χρησιμοποιείτε προσαρμοστικά φως σε συνδυασμό με ηλεκτρικά εργαλεία συνδεδεμένα με

- τη γη (γειωμένα). Αθικτα φικ και κατάλληλες πρίζεσ μειώνουν τον κίνδυνο ηλεκτροπληξίασ.
- b) **Αποφεύγετε την επαφή του σώματουσ με γειωμένεσ επιφάνειεσ όπωσ σωλήνεσ, θερμαντικά σώματα (καλοριφέρ), κουζίνεσ και ψυγεία.** Όταν το σώμα σας είναι γειωμένο αυξάνεται ο κίνδυνοσ ηλεκτροπληξίασ.
- c) **Μην εκθέτετε το ηλεκτρικό εργαλείο στη βροχή ή την υγρασία.** Η διείσδυση νερού στο ηλεκτρικό εργαλείο αυξάνει τον κίνδυνο ηλεκτροπληξίασ.
- d) **Μη χρησιμοποιείτε το καλώδιο για να μεταφέρετε ή ν' αναρτήσετε το ηλεκτρικό εργαλείο ή για να βγάλετε το φικ από την πρίζα.** Κρατάτε το καλώδιο μακριά από υψηλέσ θερμοκρασίες, λάδια, κοφτερέσ ακμέσ ή κινούμενα εξαρτήματα. Τυχόν χαλασμένα ή μπερδεμένα καλώδια αυξάνουν τον κίνδυνο ηλεκτροπληξίασ.
- e) **Όταν εργάζεσθε με το ηλεκτρικό εργαλείο στο ύπαιθρο χρησιμοποιείτε πάντοτε καλώδια επιμήκυνσησ (μπαλαντάζεσ) που έχουν εγκριθεί για χρήση σε εξωτερικόσ χώροσ.** Η χρήση καλωδίων επιμήκυνσησ εγκριμένων για εργασία σε εξωτερικόσ χώροσ μειώνει τον κίνδυνο ηλεκτροπληξίασ.
- f) **Όταν η χρήση του ηλεκτρικού εργαλείου σε υγρό περιβάλλον είναι αναπόφευκτη, τότε χρησιμοποιήστε έναν προστατευτικό διακόπτη διαρροήσ ελαττώνει τον κίνδυνο ηλεκτροπληξίασ.**
- 3) ΑΣΦΑΛΕΙΑ ΠΡΟΣΩΠΩΝ**
- a) **Να είσθε πάντοτε προσεκτικόσ/προσεκτική, να δίνετε προσοχή στην εργασία που κάνετε και να χειρίζεσθε το ηλεκτρικό εργαλείο με περίσκεψη.** Μην κάνετε χρήση του ηλεκτρικού εργαλείου όταν είσθε κουρασμένοσ/κουρασμένη ή όταν βρίσκεσθε υπό την επιρροή ναρκωτικών, οινοπνεύματοσ ή φαρμάκων. Μια στιγμήαία απροσεξία κατά το χειρισμό του ηλεκτρικού εργαλείου μπορεί να οδηγήσει σε σοβαρούσ τραυματισμούσ.
- b) **Φοράτε προστατευτικά ενδύματα και πάντοτε προστατευτικά γυαλιά.** Όταν φοράτε ενδύματα ασφαλείασ, ανάλογα με το υπό χρήση ηλεκτρικό εργαλείο, όπωσ προσωπίδα προστασίασ από σκόνη, αντιολισθηκά παπούτσια ασφαλείασ, κράνη ή ωταπίδεσ, μειώνεται ο κίνδυνοσ τραυματισμών.
- c) **Αποφεύγετε την αθέλητη εκκίνηση.** Βεβαιωθείτε ότι το ηλεκτρικό εργαλείο έχει αποζευχτεί πριν το συνδέσετε με το ηλεκτρικό δίκτυο ή/και με την μπαταρία καθώς και πριν το παραλάβετε ή το μεταφέρετε. Όταν μεταφέρετε το ηλεκτρικό εργαλείο έχοντασ το δάχτυλό σας στο διακόπτη ή όταν συνδέσετε το μηχανήμα με την πηγή ρεύματοσ όταν αυτό είναι ακόμη συζευγμένο, τότε δημιουργείται κίνδυνοσ τραυματισμών.
- d) **Αφαιρείτε από τα ηλεκτρικά εργαλεία πριν τα θέσετε σε λειτουργία τυχόν συναρμολογημένα χρησιμοποιήσιμα εργαλεία ή κλειδιά.** Ένα εργαλείο ή κλειδί συναρμολογημένο στο περιστρεφόμενο εξάρτημα ενόσ ηλεκτρικού εργαλείου μπορεί να οδηγήσει σε τραυματισμούσ.
- e) **Μην υπερκτιμάτε τον εαυτό σας. Φροντίζετε για την ασφαλή στήριξη του σώματοσ σας και διατηρείτε πάντοτε την ισορροπία σας.** Αυτό σας επιτρέπει τον καλύτερο έλεγχο το ηλεκτρικού εργαλείου σε περιπτώσεισ απροσδόκητων καταστάσεων.
- f) **Φοράτε κατάλληλη ενδυμασία εργασίασ.** Μην φοράτε φαρδιά ρούχα ή κοσμήματα. Κρατάτε τα μαλλιά και τα ρούχα σας μακριά από κινούμενα εξαρτήματα. Χαλαρή ενδυμασία, κοσμήματα και μακριά μαλλιά μπορεί να εμπλακούν στα κινούμενα εξαρτήματα.
- g) **Αν υπάρχει η δυνατότητα συναρμολόγησησ διατάξεων αναρρόφησησ ή συλλογήσ σκόνησ, βεβαιωθείτε αν οι διατάξεισ αυτέσ είναι συνδεδεμένεσ καθώς και αν χρησιμοποιούνται σωστά.** Η χρήση μιασ αναρρόφησησ σκόνησ μπορεί να ελαττώσει τον κίνδυνο που προκαλείται από τη σκόνη.
- h) **Μην εφησυχάζετε σε μια λάθος ασφάλεια και μην αφήφατε τουσ κανόνεσ ασφαλείασ για τα ηλεκτρικά εργαλεία, ακόμα και όταν μετά από συχνή χρήση είστε εξοικειωμένοι με το εργαλείο.** Ένασ απρόσκετοσ χειρισμόσ μπορεί μέσα σε κλάσματα του δευτερολέπτου να οδηγήσει σε σοβαρούσ τραυματισμούσ.
- 4) ΧΡΗΣΗ ΚΙ ΕΠΙΜΕΛΗΣ ΧΕΙΡΙΣΜΟΣ ΤΩΝ ΗΛΕΚΤΡΙΚΩΝ ΕΡΓΑΛΕΙΩΝ**
- a) **Μην υπερφορτώνετε το ηλεκτρικό εργαλείο.** Χρησιμοποιείτε για την εκάστοτε εργασία σας το ηλεκτρικό εργαλείο που προορίζεται γι' αυτήν. Με το κατάλληλο ηλεκτρικό εργαλείο εργάζεσθε καλύτερα και ασφαλέστερα στην αναφερόμενη περιοχή ισχύουσ.
- b) **Μη χρησιμοποιήσετε ποτέ ένα ηλεκτρικό εργαλείο του οποίου ο διακόπτησ ON/OFF είναι χαλασμένοσ.** Ένα ηλεκτρικό εργαλείο το οποίο δεν μπορεί να τεθεί πλέον σε ή εκτόσ λειτουργίασ είναι επικίνδυνο και πρέπει να επισκευαστεί.
- c) **Τραβήξτε το φικ από την πρίζα και/ή απομακρύνετε μια αποσπώμενη μπαταρία, προτού εκτελέσετε ρυθμίσεισ στο ηλεκτρικό εργαλείο, προτού αλλάξετε εξαρτήματα ή φυλάξετε το ηλεκτρικό εργαλείο.** Αυτά τα προληπτικά μέτρα ασφαλείασ μειώνουν τον κίνδυνο από τυχόν αθέλητη εκκίνηση του ηλεκτρικού εργαλείου.
- d) **Διαφυλάγετε τα ηλεκτρικά εργαλεία που δε χρησιμοποιείτε μακριά από παιδιά. Μην αφήνετε άτομα που δεν είναι εξοικειωμένα με το ηλεκτρικό εργαλείο ή δεν έχουν διαβάσει αυτέσ τιε οδηγίεσ χρήσησ να το χρησιμοποιήσουν.** Τα ηλεκτρικά εργαλεία είναι επικίνδυνα όταν χρησιμοποιούνται από άπειρα πρόσωπα.
- e) **Φροντίζετε τα ηλεκτρικά εργαλεία και τα εξάρτημα με επιμέλεια.** Ελέγγετε, αν τα κινούμενα εξαρτήματα λειτουργούν άωγοα, χωρίς να μπλοκάρουν, ή μήπωσ έχουν σπάσει ή φθαρεί τυχόν εξαρτήματα τα οποία επηρεάζουν τον τρόπο λειτουργίασ του ηλεκτρικού εργαλείου. Δώστε αυτά τα χαλασμένα εξαρτήματα για επισκευή πριν τα ξαναχρησιμοποιήσετε. Η κακή συντήρηση των ηλεκτρικών εργαλείων αποτελεί αιτία πολλών ατυχημάτων.
- f) **Διατηρείτε τα κοπτικά εργαλεία κοφτερά και καθαρά.** Τα κοπτικά εργαλεία που συντηρούνται με προσοχή μπορούν να οδηγηθούν εύκολα και να ελεγγχθούν καλύτερα.

g) Χρησιμοποιείτε τα ηλεκτρικά εργαλεία, τα εξαρτήματα, τα χρησιμοποιήσιμα εργαλεία κτλ. σύμφωνα με τις παρούσες οδηγίες καθώς. Λαμβάνετε ταυτόχρονα υπόψη σας τις συνθήκες εργασίας και την υπό εκτέλεση εργασία. Η χρήση του ηλεκτρικού εργαλείου για άλλες εκτός από τις προβλεπόμενες εργασίες μπορεί να δημιουργήσει επικίνδυνες καταστάσεις.

h) Διατηρείτε τις λαβές και επιφάνειες λαβής στεγνές, καθαρές και ελεύθερες από λάδι και γράσο. Οι ολισθηρές λαβές και επιφάνειες λαβής δεν επιτρέπουν κανέναν ασφαλή χειρισμό και έλεγχο του ηλεκτρικού εργαλείου σε τυχόν απρόβλεπτες καταστάσεις.

5) ΧΡΗΣΗ ΚΙ ΕΠΙΜΕΛΗΣ ΧΕΙΡΙΣΜΟΣ ΕΡΓΑΛΕΙΩΝ ΜΠΑΤΑΡΙΑΣ

a) Φορτίζετε μόνο με φορτιστές που προβλππει ο κατασκευαστής. Η φόρτιση με φορτιστές που δεν προορίζονται για τον υπό φόρτιση τύπο του μπλοκ μπαταρίας δημιουργεί κίνδυνο πυρκαγιάς.

b) Χρησιμοποιείτε τα ηλεκτρικά εργαλεία πάντοτε με τα προβλεπόμενα για αυτά μπλοκ μπαταρίας. Η χρήση διαφορετικών μπλοκ μπαταρίας μπορεί να οδηγήσει σε τραυματισμούς ή πυρκαγιά.

c) Διαφυλάγετε τις μπαταρίες που δε χρησιμοποιείτε μακριά από μεταλλικά αντικείμενα, π.χ. από συνδετήρες χαρτιών, νομίματα, κλειδιά, καρφιά, βίδες κί άλλα παρόμοια μικροαντικείμενα, τα οποία θα μπορούσαν να επιγεφυρώσουν τις διάφορες μεμονωμένες επαφές. Μια επιγεφύρωση από μεταλλικά αντικείμενα μπορεί να προκαλέσει βραχυκύκλωμα, βινήθρισμό ή πυρκαγιά.

d) Υπό δυσμενείς συνθήκες λειτουργίας μπορεί να διαρρεύσουν υγρά από την μπαταρία. Αποφεύγετε κάθε επαφή με μια μη στεγανή μπαταρία. Σε περίπτωση ακούσιας επαφής με τα υγρά, ξεπλύντε άμεσα με νερό την αντίστοιχη θψη επαφής. Εκτός από αυτό, αν τα υγρά διεισδύσουν στα μάτια σας, επισκεφτείτε χωρίς καθυστηρηση πνα γιατρό. Τα διαρποντα υγρά των μπαταριών μπορεί να προκαλψουν ερεθισμούς ή και εγκαύματα.

e) Μη χρησιμοποιείτε καμία χαλασμένη ή τροποποιημένη μπαταρία ή ηλεκτρικό εργαλείο. Οι χαλασμένες ή τροποποιημένες μπαταρίες μπορεί να παρουσιάσουν μια απρόβλεπτη συμπεριφορά και να οδηγήσουν σε φωτιά, έκρηξη ή σε κίνδυνο τραυματισμού.

f) Μην εκθέετε μια μπαταρία ή ένα ηλεκτρικό εργαλείο σε φωτιά ή σε πολύ υψηλές θερμοκρασίες. Η φωτιά ή οι θερμοκρασίες πάνω από 130°C μπορεί να προκαλέσουν μια έκρηξη.

g) Τηρείτε όλες τις υποδείξεις για τη φόρτιση και μη φορτίζετε την μπαταρία ή το εργαλείο μπαταρίας ποτέ εκτός της περιοχής θερμοκρασίας που αναφέρεται στις οδηγίες λειτουργίας. Η λάθος φόρτιση ή η φόρτιση εκτός της επιτρεπτής περιοχής θερμοκρασίας μπορεί να καταστρέψει την μπαταρία και να αυξήσει τον κίνδυνο πυρκαγιάς.

6) ΣΕΡΒΙΣ

a) Δίνετε το ηλεκτρικό σας εργαλείο για επισκευή από άριστα ειδικευμένο προσωπικό, μόνο με γνήσια ανταλλακτικά. Ετσι εξασφαλίζεται η

διατήρηση της ασφάλειας του ηλεκτρικού εργαλείου.

b) Μη συντηρείτε ποτέ χαλασμένες μπαταρίες. Κάθε συντήρηση των μπαταριών πρέπει να πραγματοποιείται μόνο από τον κατασκευαστή ή από εξουσιοδοτημένα συνεργεία σέρβις πελατών.

ΥΠΟΔΕΙΞΕΙΣ ΑΣΦΑΛΕΙΑΣ ΓΙΑ ΕΠΑΝΑΦΟΡΤΙΖΟΜΕΝΑ ΕΡΓΑΛΕΙΑ ΠΟΛΛΑΠΛΗΣ ΧΡΗΣΗΣ

- Κρατήστε το ηλεκτρικό εργαλείο από τις μονωμένες επιφάνειες συγκράτησης, κατά την εκτέλεση εργασίας όπου το εξάρτημα κοπής μπορεί να έρθει σε επαφή με κρυμμένα καλώδια (η επαφή του εξαρτήματος κοπής με ηλεκτροφόρο καλώδιο ενδέχεται να κάνει ηλεκτροφόρο τα προσβάσιμα μεταλλικά μέρη και να προκληθεί ηλεκτροπληξία στον χειριστή)
- Χρησιμοποιήστε σφιγκτήρες ή άλλο πρακτικό μέσο για να στερεώσετε και να υποστηρίξετε το κομμάτι εργασίας σε ευσταθή πλατφόρμα (αν κρατάτε το κομμάτι εργασίας με το χέρι ή πάνω στο σώμα σας, αυτό δεν σταθεροποιείται και υπάρχει κίνδυνος απώλειας του ελέγχου)

ΓΕΝΙΚΑ

- Αυτό το εργαλείο δεν πρέπει να χρησιμοποιείται από άτομα κάτω των 16 ετών
 - Προφυλάξτε το εργαλείο από τυχόν φορές από ξένα σώματα (βίδες, καρφιά ή άλλα) που ίσως είναι μέσα στο κομμάτι που θα δουλέψετε - αφαιρέστε τα πριν αρχίσετε την εργασία
 - Μην κατεργάζεστε υλικά που περιέχουν αμιάντο (το αμιάντο θεωρείται σαν καρκινογόνο υλικό)
 - Βγάλτε την μπαταρία από το εργαλείο προτού κάνετε οποιαδήποτε ρύθμιση ή αλλάξετε κάποιο εξάρτημα
 - Κατά την εργασία να κρατάτε πάντοτε το εργαλείο σφιχτά με τα δύο χέρια και φροντίστε να στέκεστε σταθερά
 - Η σκόνη από υλικά όπως μογιές που περιέχουν μόλυβδο, ορισμένα είδη ξύλου, ανόργανα στοιχεία και μέταλλα μπορεί να είναι επιβλαβής (η επαφή ή η εισπνοή της σκόνης μπορεί να προκαλέσει αλλεργικές αντιδράσεις ή/και αναπνευστικές ασθένειες στον χειριστή ή σε άτομα που παρίστανται) - **να φοράτε προσωπικά προστασίας από τη σκόνη και να εργάζεστε με συσκευή αφαίρεσης σκόνης όταν είναι δυνατό**
 - Ορισμένα είδη σκόνης ταξινομούνται ως καρκινογόνα (όπως η σκόνη από τη δρυ ή την οξιά) ιδιαίτερα σε συνδυασμό με πρόσθετα συντήρησης ξύλου - **να φοράτε προσωπικά προστασίας από τη σκόνη και να εργάζεστε με συσκευή αφαίρεσης σκόνης όταν είναι δυνατό**
 - Ακολουθήστε τις σχετικές με σκόνη εθνικές διατάξεις για τα υλικά που θέλετε να εργαστείτε
 - **Να χρησιμοποιείτε προστατευτικά γάντια κατά την αλλαγή εξαρτημάτων** (η επαφή με το εξάρτημα μπορεί να προκαλέσει τραυματισμό)
 - Όταν τελειώνετε την δουλειά σας και ακουμπάτε το εργαλείο στο πλάι, κλείστε τον διακόπτη και βεβαιωθείτε ότι όλα τα κινούμενα μέρη του έχουν σταματήσει εντελώς
- #### ΚΑΤΑ ΤΟ ΠΡΙΟΝΙΣΜΑ / ΚΙΝΩΙΜΟ
- Φροντίστε τα χέρια σας να βρίσκονται μακριά από την περιοχή κοπής - μην αγγίζετε το κάτω μέρος του υλικού για οποιονδήποτε λόγο ενώ κόβετε

- **Χρησιμοποιήστε κατάλληλες ανιχνευτικές συσκευές για να εντοπίσετε τυχόν αφανείς τροφοδοτικές γραμμές ή συμβουλευτείτε σχετικά τις επιχειρήσεις παροχής ενέργειας** (επαφή με ηλεκτρικές γραμμές μπορεί να οδηγήσει σε πυρκαϊά ή σε ηλεκτροπληξία - βλάβες σε αγωγούς φωταερίου (γκαζιού) μπορεί να οδηγήσουν σε έκρηξη - η διείσδυση σ' ένα σωλήνα νερού προκαλεί υλικές ζημιές ή μπορεί να προκαλέσει ηλεκτροπληξία)
- Μη χρησιμοποιείτε ραγισμένες, παραμορφωμένες ή στομωμένες πριονολεπίδες

ΚΑΤΑ ΤΟ ΤΡΙΨΙΜΟ

- **Να χρησιμοποιείτε το εργαλείο μόνο για στεγνό τριψίμο** (εάν διεισδύσει νερό μέσα στο εργαλείο, αυξάνεται ο κίνδυνος ηλεκτροπληξίας)
- Μην έρχεστε σε επαφή με το κινούμενο γυαλόχαρτο
- Δεν επιτρέπεται η περαιτέρω χρήση γυαλόχαρτων που έχουν φθαρεί, σχιστεί ή έχουν χάσει τη λειαντική τους ικανότητα
- Όταν λειαίνετε μέταλλα παράγονται σπινθήρες - μη χρησιμοποιείτε την ηλεκτρική σκούπα και απομακρύνετε άλλα άτομα και εύφλεκτα υλικά από τον χώρο εργασίας

ΜΠΑΤΑΡΙΕΣ

- **Η παρεχόμενη μπαταρία είναι μερικώς φορτισμένη** (για να εξασφαλιστεί ότι η μπαταρία αποκτά τη μέγιστη χαμηλότερη, να φορτίζετε τελείως τη μπαταρία με τον φορτιστή της πριν από τη χρήση του ηλεκτρικού εργαλείου σας για πρώτη φορά)
- **Να χρησιμοποιείτε μόνο τις μπαταρίες και τους φορτιστές που παραδίδονται με το εργαλείο** - Μπαταρία SKIL: BR1*31****
- Φορτιστής SKIL: CR1*31****
- Μην χρησιμοποιείτε την μπαταρία όταν έχει βλάβη; πρέπει να την αντικαθίσετε
- Μην συναρμολογείτε τη μπαταρία
- Μην εκθέτετε το εργαλείο/την μπαταρία στη βροχή
- Επιτρεπτή θερμοκρασία περιβάλλοντος (εργαλείο/φορτιστή/μπαταρία):
- κατά τη φόρτιση 4...40°C
- κατά τη λειτουργία -20...+50°C
- κατά την αποθήκευση -20...+50°C

ΕΠΕΞΗΓΗΣΗ ΤΩΝ ΣΥΜΒΟΛΩΝ ΣΤΟ ΕΡΓΑΛΕΙΟ/ΜΠΑΤΑΡΙΑ

- 3 Αυτό το εργαλείο δέχεται τα περισσότερα αξεσουάρ από εκείνα που συνήθως διατίθενται για πολυεργαλεία, συμπεριλαμβανομένων των αξεσουάρ OIS και Starlock που υπάρχουν σήμερα
- 4 Διαβάστε το εγχειρίδιο οδηγιών πριν από τη χρήση
- 5 Οι μπαταρίες θα εκραγούν εάν γίνει απόρριψή τους σε φωτιά, γι' αυτό μην καίτε τις μπαταρίες για οποιοδήποτε λόγο
- 6 Να αποθηκεύετε το εργαλείο/τον φορτιστή/την μπαταρία σε μέρη όπου η θερμοκρασία δεν θα ξεπεράσει τους 50°C
- 7 Μην πετάτε τα ηλεκτρικά εργαλεία και μπαταρίες στον κάδο οικιακών απορριμμάτων

ΧΡΗΣΗ

- Φόρτιση της μπαταρίας
! διαβάστε τις προειδοποιήσεις ασφαλείας και τις οδηγίες που παρέχονται με το φορτιστή
- Αφαίρεση/εγκατάσταση της μπαταρίας ②

- Ένδειξη κατάστασης μπαταρίας ⑧
- πιέστε το κουμπί του ενδεικτικού κατάστασης μπαταρίας M για να εμφανίσετε την τρέχουσα κατάσταση της μπαταρίας ⑧a
! όταν το ενδεικτικό κατώτατης στάθμης της μπαταρίας αρχίσει να αναβοσβήνει μετά από το πάτημα του πλήκτρου M ⑧b, η μπαταρία έχει αδειάσει
! όταν τα επίπεδα 2 του ενδεικτικού της μπαταρίας αρχίσουν να αναβοσβήνουν μετά από το πάτημα του πλήκτρου M ⑧c, η μπαταρία δεν είναι εντός του επιτρεπόμενου εύρους θερμοκρασίας λειτουργίας
- Λαμπάκι LED L ⑨
Το λαμπάκι LED ανάβει αυτόματα κατά την ενεργοποίηση του διακόπτη on/off
! όταν το λαμπάκι LED αρχίζει να αναβοσβήνει, ενεργοποιείται η προστασία της μπαταρίας (βλ. παρακάτω)
- Προστασία της μπαταρίας
Το εργαλείο σβήνει αιφνίδια ή δεν είναι δυνατό το άναμμα του όταν
- **το φορτίο είναι πολύ υψηλό** --> αφαιρέστε το φορτίο και επανενκινήστε
- **η θερμοκρασία της μπαταρίας δεν βρίσκεται εντός του επιτρεπόμενου εύρους θερμοκρασίας λειτουργίας, δηλαδή -20 έως +50°C** --> Τα επίπεδα 2 του ενδεικτικού της στάθμης της μπαταρίας αρχίζουν να αναβοσβήνουν κατά το πάτημα του πλήκτρου M ⑧c. Περιμένετε μέχρι η μπαταρία να επανέλθει εντός του επιτρεπόμενου εύρους θερμοκρασίας λειτουργίας
- **η μπαταρία έχει σχεδόν αδειάσει (για προστασία έναντι βαθείας εκφόρτισης)** --> ανάβει ή αναβοσβήνει η χαμηλή στάθμη μπαταρίας ⑧b δίπλα στο ενδεικτικό στάθμης μπαταρίας κατά το πάτημα του πλήκτρου M. Φορτίστε τη μπαταρία
! μην συνεχίσετε να πατάτε το διακόπτη ενεργοποίησης/απενεργοποίησης μετά την αυτόματη απενεργοποίηση του εργαλείου - μπορεί να προκληθεί βλάβη στη μπαταρία
- Αλλαγή εξαρτημάτων ⑩
! βγάλτε την μπαταρία από το εργαλείο
- αφαιρέστε/τοποθετήστε το απαιτούμενο εξάρτημα όπως εικονίζεται
- βεβαιωθείτε ότι τα ανοίγματα του εξαρτήματος κουμπιών με τα πτερύγια της κεφαλής του εργαλείου (οποιαδήποτε θέση κουμπιώματος είναι δυνατή)
- τοποθετήστε το εξάρτημα με το βαθυλωμένο κέντρο να είναι στραμμένο προς τα κάτω
- **ελέγξτε αν είναι σφικτή η εφαρμογή του εξαρτήματος** (τα εσφαλμένα ή χαλαρά τοποθετημένα εξαρτήματα μπορεί να απελευθερωθούν κατά τη λειτουργία και να αποτελέσουν κίνδυνο)
- Απορρόφηση σκόνης ⑪
! βγάλτε την μπαταρία από το εργαλείο
- χρησιμοποιήστε τον αντίπτορα για ηλεκτρική σκούπα J μόνο κατά την εργασία με γυαλόχαρτο E
- τοποθετήστε το συστ. προσαρμολογής ηλεκτρικής κούπας J όπως δείχνει η εικόνα
- συνδέστε την ηλεκτρική σκούπα

! μη χρησιμοποιείτε το μηχανισμό απαγωγής σκόνης/την ηλεκτρική σκούπα όταν λειαινείτε μέταλλα

- να καθαρίζετε τακτικά τον αντάπτορα για ηλεκτρική σκούπα J για άριστη συλλογή της σκόνης

- Τοποθέτηση γυαλόχαρτου ⑫

- πριν τοποθετήσετε το γυαλόχαρτο χτυπήστε λίγο τον ιστό αυτοπρόσφυσης του πέλματος λείανσης E για να "σηκωθεί"

- τοποθετήστε το αυτοκόλλητο γυαλόχαρτο (VELCRO) Η όπως δείχνει η εικόνα

! το σύστημα απορρόφησης σκόνης απαιτεί τη χρήση διήτρητων φύλλων γυαλόχαρτου

! η διάτρηση στο γυαλόχαρτο πρέπει να αντιστοιχεί στη διάτρηση του λειαντικού πέλματος

! αλλάζετε έγκαιρα το φθαρμένα γυαλόχαρτα

! χρησιμοποιείτε το εργαλείο πάντα καλύπτοντας ολόκληρη τη επιφάνεια αυτοπρόσφυσης με γυαλόχαρτο

- Εκκίνηση/Σταση

- ξεκινάτε/σταματάτε το εργαλείο πιέζοντας το διακόπτη C ② στη θέση "I"/"O"

! προτού το εξάρτημα κατεργασίας φθάσει το κατεργαζόμενο κομμάτι, το εργαλείο πρέπει να λειτουργεί με πλήρη ταχύτητα

! προτού σταματήσετε το εργαλείο πρέπει να το ανασηκώσετε από το κατεργαζόμενο κομμάτι

- Ρύθμιση της ταχύτητας λειτουργίας ⑬

- με τον τροχό D μπορεί να ρυθμιστεί η απαιτούμενη συχνότητα ταλάντωσης από χαμηλή (1) μέχρι υψηλή (6) (και όταν το εργαλείο είναι σε λειτουργία)

- η βέλτιστη ταχύτητα εργασίας εξαρτάται από το υλικό και μπορεί να καθοριστεί με δοκιμές στην πράξη

- Πώς να κρατάτε και να οδηγείτε το εργαλείο

! ενώ εργάζεστε, να κρατάτε πάντα το εργαλείο από τη/τις λαβή/ές με γκρι χρώμα ⑭

- κρατάτε τις σχισμές αερισμού K ακάλυπτες

- μην ασκείτε υπερβολική πίεση στο εργαλείο (η υπερβολική πίεση θα προκαλέσει υπερθέρμανση και ενδέχεται να μειώσει τη διάρκεια ζωής του εξαρτήματος)

- Εξάρτημα ρύθμισης βάθους (DEPTH STOP) (δεν περιλαμβάνεται στη στάνταρ συσκευασία) ⑮

ΟΔΗΓΙΕΣ ΕΦΑΡΜΟΓΗΣ

- Για άριστα αποτελέσματα σε διάφορα υλικά, χρησιμοποιήστε τον πίνακα ⑯ ως οδηγό για τον προσδιορισμό του κατάλληλου εξαρτήματος (**τα εξαρτήματα δεν συμπεριλαμβάνονται στη βασική σύνθεση**)
- Για περισσότερες πληροφορίες επισκεφθείτε τη σελίδα www.skil.com

ΣΥΝΤΗΡΗΣΗ / ΣΕΡΒΙΣ

- Αυτό το εργαλείο δεν προορίζεται για επαγγελματική χρήση
- Πάντα να διατηρείτε το εργαλείο καθαρό (ειδικά τις οπές εξερισμού K ②)
! αφαιρέστε την μπαταρία από το εργαλείο πριν από τον καθαρισμό

- Αν παρ' όλες τις επιμελημένες μεθόδους κατασκευής κι ελέγχου το εργαλείο σταματήσει κάποτε να λειτουργεί, τότε η επισκευή του πρέπει να ανατεθεί σ' ένα εξουσιοδοτημένο συνεργείο για ηλεκτρικά εργαλεία της SKIL

- στείλτε το εργαλείο **χωρίς να το**

αποσυναρμολογήσει μαζί με την απόδειξη αγοράς στο κατάστημα από το οποίο το αγοράσατε ή στον πλησιέστερο σταθμό τεχνικής εξυπηρέτησης της SKIL (θα βρείτε τις διευθύνσεις και το διάγραμμα συντήρησης του εργαλείου στην ιστοσελίδα www.skil.com)

- Να γνωρίζετε ότι βλάβες που προκαλούνται λόγω υπερφόρτωσης ή ακατάλληλου χειρισμού του εργαλείου, δεν καλύπτονται από την εγγύηση (για τους όρους της εγγύησης της SKIL επισκεφθείτε τη διεύθυνση www.skil.com ή απευθυνθείτε στον πλησιέστερο αντιπρόσωπο)

ΠΕΡΙΒΑΛΛΟΝ

- **Μην πετάτε τα ηλεκτρικά εργαλεία, μπαταρίες, εξαρτήματα και συσκευασία στον κάδο οικιακών απορριμμάτων** (μόνο για τις χώρες της ΕΕ)
 - σύμφωνα με την ευρωπαϊκή οδηγία 2012/19/EK περί ηλεκτρικών και ηλεκτρονικών συσκευών και την ενσωμάτωσή της στο εθνικό δίκαιο, τα ηλεκτρικά εργαλεία πρέπει να συλλέγονται ξεχωριστά και να επιστρέφονται για ανακύκλωση με τρόπο φιλικό προς το περιβάλλον
 - το σύμβολο ⑦ θα σας το θυμίσει αυτό όταν έλθει η ώρα να πετάξετε τις**! προτού πετάξετε τις μπαταρίες καλύψτε τις επαφές τους με μονωτική ταινία για να αποφύγετε τυχόν βραχυκυκλώματα**

ΘΟΡΥΒΟΣ / ΚΡΑΔΑΣΜΟΣ

- Βάσει της μέτρησης σύμφωνα με το πρότυπο EN 62841, η στάθμη ηχοπίεσης αυτού του εργαλείου είναι 86,5 dB(A) και η στάθμη ηχοπίεσης του 97,5 dB(A) (αβεβαιότητα K = 3 dB), και ο κραδασμός * (τριαξονικό διανυσματικό άθροισμα, αβεβαιότητα K = 1,5 m/s²)
- *** κατά τη λείανση < 2,5 m/s²**
- Το επίπεδο παραγωγής κραδασμών έχει μετρηθεί σύμφωνα με μια τυποποιημένη δοκιμή που αναφέρεται στο πρότυπο EN 62841 - μπορεί να χρησιμοποιηθεί για τη σύγκριση ενός εργαλείου με ένα άλλο, καθώς και ως προκαταρκτική αξιολόγηση της έκθεσης στους κραδασμούς όταν το εργαλείο χρησιμοποιείται για τις εφαρμογές που αναφέρονται
 - η χρήση του εργαλείου για διαφορετικές εφαρμογές ή με διαφορετική ή κακοσυντηρημένα εξαρτήματα μπορεί να **αυξήσει** σημαντικά το επίπεδο έκθεσης
 - όταν το εργαλείο είναι απενεργοποιημένο ή δουλεύει αλλά δεν εκτελεί την εργασία, το επίπεδο έκθεσης μπορεί να **μειωθεί** σημαντικά**! προστατευτείτε από τις επιδράσεις των κραδασμών συντηρώντας σωστά το εργαλείο και τα εξαρτήματά του, διατηρώντας τα χέρια σας ζεστά και οργανώνοντας τον τρόπο εργασίας σας**

Mașină multifuncțională fără perii și fără fir 3650

INTRODUCERE

- Această sculă este proiectată pentru tăierea și secționarea lemnului, plasticului, ipsosului, metalelor și a faianței moi, precum și pentru șlefuirea uscată și răzuirea suprafețelor mici
- Este în mod special adecvată pentru lucrul în apropierea muchiilor, pentru străpungerea materialului și pentru tăiere la nivel
- Această sculă nu este destinată utilizării profesionale
- Această sculă acceptă accesoriile cele mai des întâlnite pentru scule multifuncționale, inclusiv accesorii existente OIS și Starlock ③
- Citiți și păstrați acest manual de instrucțiuni ④

DATE TEHNICE ①

ELEMENTELE SCULEI ②

- A Manetă de prindere
 - B Șurub de prindere cu șaibă
 - C Întrerupător pornit/oprit
 - D Rotiță de selectare a vitezei
 - E Placă de șlefuit
 - F Pânză de ferăstrău cu dinți aplicați
 - G Lamă de ferăstrău cu avans pe adâncime
 - H Coala abrazivă
 - J Adaptor aspiratorului
 - K Fantele de ventilație
 - L Lampă LED
 - M Indicator nivel încărcare acumulator
 - N Accesoriu pentru reglarea adâncimii *
- * NU ESTE INCLUS ÎN VERSIUNEA STANDARD

SIGURANȚA

INSTRUCȚIUNI GENERALE DE SIGURANȚĂ PENTRU SCULE ELECTRICE

AVERTISMENT Citiți toate avertismentele, instrucțiunile, ilustrațiile și specificațiile furnizate împreună cu această sculă electrică. Neconformarea la instrucțiunile de mai jos poate produce șoc electric, incendiu și/sau răniri grave.

Păstrați toate avertizările și instrucțiunile în vederea consultării ulterioare.

Termenul de "sculă electrică" folosit în indicațiile de avertizare se referă la sculele electrice alimentate de la rețea (cu cablu de alimentare) și la sculele electrice cu acumulator (fără cablu de alimentare).

1) SIGURANȚA LA LOCUL DE MUNCĂ

- a) **Păstrați-vă locul de muncă curat și bine iluminat.** Dezordinea la locul de muncă sau existența unor sectoare de lucru neiluminate poate duce la accidente.
- b) **Nu folosiți mașina în medii cu pericol de explozie, acolo unde există lichide, gaze sau pulberi**

inflamabile. Sculele electrice pot produce scânteii care să aprindă pulberile sau vaporii.

- c) **Nu permiteți accesul copiilor și al altor persoane în timpul lucrului cu mașina.** Dacă vi se distrage atenția puteți pierde controlul asupra mașinii.
- #### 2) SECURITATEA ELECTRICĂ
- a) **Ștecherul de racordare a mașinii trebuie să se potrivească cu priza de alimentare. Nu este permisă în nici-un caz modificarea ștecherului. Nu folosiți adaptoare pentru ștechere la mașinile legate la pământ.** Ștecherele nemodificate și prizele de curent adecvate acestora reduc riscul de electrocutare.
 - b) **Evitați contactul corporal cu suprafețe legate la pământ ca țevi, radiatoare, plite electrice și frigider.** Există un risc crescut de electrocutare atunci când corpul dv. este și el legat la pământ.
 - c) **Nu lăsați mașina afară în ploaie sau în mediu umed.** Riscul de electrocutare crește atunci când într-o sculă electrică pătrunde apă.
 - d) **Nu trageți niciodată mașina de cordonul de alimentare pentru a o transporta, a o atârna sau a scoate ștecherul din priza de curent. Feriți cordonul de alimentare de căldură, ulei, muchii ascuțite sau de subsansamble aflate în mișcare.** Un cordon de alimentare deteriorat sau înfășurat mărește riscul de electrocutare.
 - e) **Atunci când lucrați cu scula electrică în aer liber, folosiți numai cordoane prelungitoare autorizate pentru exterior.** Întrebuințarea unui cordon prelungitor adecvat utilizării în aer liber reduce riscul de electrocutare.
 - f) **Atunci când nu poate fi evitată utilizarea sculei electrice în mediu umed, folosiți un întrerupător de circuit cu împământare.** Folosirea unei întrerupător de circuit cu împământare reduce riscul de electrocutare.
- #### 3) SECURITATEA PERSOANELOR
- a) **Fiți vigilenți, fiți atenți la ceea ce faceți și procedați rațional atunci când lucrați cu scula electrică. Nu folosiți mașina dacă sunteți oboșiți sau vă aflați sub influența drogurilor, alcoolului sau a medicamentelor.** Un moment de neatenție în timpul lucrului cu mașina poate duce la răniri grave.
 - b) **Purtați echipament de protecție personală și întotdeauna ochelari de protecție.** Folosirea echipamentelor de protecție a persoanei ca mască de protecție împotriva prafului, încălțăminte antiderapantă, cască de protecție sau aparat de protecție auditivă, în funcție de tipul și domeniul de folosire al sculei electrice, reduce riscul rănirilor.
 - c) **Evitați o punere în funcțiune involuntară. Înainte de a introduce ștecherul în priză și/sau de a introduce acumulatorul în scula electrică, de a o ridica sau de a o transporta, asigurați vă că aceasta este oprită.** Dacă atunci când transportați scula electrică țineți degetul pe întrerupător sau dacă porniți scula electrică înainte de a o racorda la rețeaua de curent, puteți provoca accidente.
 - d) **Înainte de a pune mașina în funcțiune scoateți afară cheile reglabile și fixe.** O cheie reglabilă sau fixă, aflată într-o componentă de mașină care se rotește, poate provoca răniri.
 - e) **Nu vă supraapreciați. Asigurați-vă o poziție stabilă și păstrați-vă întotdeauna echilibrul.** Astfel veți putea controla mai bine mașina în situații neașteptate.

- f) **Purtați îmbrăcăminte de lucru adecvată. Nu purtați haine largi sau podoabe. Feriți părul și îmbrăcăminte de piesele aflate în mișcare.** Îmbrăcăminte largă, podoabele și părul lung pot fi prinse de piesele aflate în mișcare.
- g) **Dacă există posibilitatea montării de echipamente și instalații de aspirare și colectare a prafului, asigurați-vă că acestea sunt conectate și folosite corect.** Folosirea unei instalații de aspirare a prafului poate duce la reducerea poluării cu praf.
- h) **Nu vă lăsați amăgiți de ușurința în operare dobândită în urma folosirii frecvente a sculelor electrice și nu ignorați principiile de siguranță ale acestora.** Neglijența poate provoca, într-o fracțiune de secundă, vătămări corporale grave
- 4) MANEVRAȚI ȘI FOLOȘIȚI CU GRIJĂ SCULELE ELECTRICE**
- a) **Nu suprasolicitați mașina. Folosiți scula electrică destinată executării lucrării dumneavoastră.** Cu scula electrică potrivită lucrăți mai bine și mai sigur în domeniul de putere specificat.
- b) **Nu folosiți scula electrică dacă are întrerupătorul defect.** O sculă electrică, care nu mai poate fi pornită sau oprită este periculoasă și trebuie reparată.
- c) **Scoateți ștecherul afară din priză și/sau îndepărtați acumulatoru dacă este detașabil, înainte de a executa reglaje, a schimba accesoriu sau a depozita scula electrică.** Această măsură preventivă reduce riscul unei porniri involuntare a mașinii.
- d) **În caz de nefolosire păstrați mașinile la loc inaccesibil copiilor. Nu permiteți persoanelor care nu sunt familiarizate cu mașina sau care n-au citit prezentele instrucțiuni, să folosească mașina.** Sculele electrice sunt periculoase atunci când sunt folosite de persoane fără experiență.
- e) **Întrețineți sculele electrice și accesoriile acestora. Controlați dacă componentele mobile funcționează corect și dacă nu se blochează, dacă nu există piese defecte sau deteriorate, care să afecteze funcționarea mașinii. Înainte de a repune în funcțiune mașina, duceți-o la un atelier de asistență service pentru repararea sau înlocuirea pieselor deteriorate.** Multe accidente s-au datorat întreținerii defectuoase a sculelor electrice.
- f) **Păstrați accesoriile bine ascuțite și curate.** Accesoriile atent întreținute, cu muchii tăietoare bine ascuțite se blochează mai greu și pot fi conduse mai ușor.
- g) **Folosiți sculele electrice, accesoriile, dispozitivele de lucru etc. conform prezentelor instrucțiuni. Țineți seama de condițiile de lucru și de lucrarea care trebuie executată.** Întrebuințarea unor scule electrice destinate altor utilizări decât cele preconizate, poate duce la situații periculoase.
- h) **Mențineți mânerul și zonele de prindere uscate, curate și feriți-le de ulei și unsoare.** Mănerul și zonele de prindere alunecoase nu permit manevrarea și controlul sigur al sculei electrice în situații neașteptate.
- 5) MANEVRAȚI ȘI FOLOȘIȚI CU GRIJĂ SCULELE ELECTRICE CU ACUMULATOR**
- a) **Folosiți pentru încărcarea acumulatorilor numai încărcătoarele recomandate de producător.** Dacă un încărcător destinat unui anumit tip de acumulator este

folosit la încărcarea altor acumulatori există pericol de incendiu.

- b) **Folosiți la sculele electrice numai acumulatorii prevăzuți în acest scop.** Întrebuințarea altor acumulatori decât cei specificați poate duce la răniri și pericol de incendii.
- c) **Feriți acumulatorii nefolosiți de contactul cu agrafe de birou, monede, chei, cuie, șuruburi sau alte obiecte metalice mici, care pot produce o punte metalică între contactele acumulatorului.** Un scurtcircuit între polii de contact ai acumulatorului poate avea drept consecință arsuri sau incendii.
- d) **Ca urmare a folosirii necorespunzătoare, din acumulator se poate scurge lichid. Evitați contactul cu acesta. În caz de contact accidental, clătiți cu apă. Dacă lichidul vă intră în ochi, pe lângă măsurile aminite consultați și un medic.** Lichidul care se scurge din acumulator poate provoca iritarea pielii sau arsuri.
- e) **Nu folosiți un acumulator sau o sculă electrică cu acumulator deteriorat sau modificat.** Acumulatorii deteriorați sau modificați pot avea un comportament imprezibil care să ducă la incendiu, explozie sau să genereze risc de vătămări corporale.
- f) **Nu expuneți acumulatorul sau scula electrică la foc sau temperaturi excesive.** Expunerea la foc sau temperaturi de peste 130°C poate duce la explozii.
- g) **Respectați toate instrucțiunile de încărcare și nu reincărcați acumulatorul sau scula electrică cu acumulator la temperaturi situate în afara domeniului de temperaturi specificat în instrucțiuni.** Încărcarea incorectă sau la temperaturi situate în afara domeniului de temperaturi specificat ar putea cauza deteriorarea acumulatorului și mări riscul de incendiu.
- 6) SERVICIU**
- a) **Permiteți repararea mașinii dumneavoastră numai de către un specialist calificat și numai cu piese de schimb originale.** În acest mod este garantată menținerea siguranței de exploatare a mașinii.
- b) **Nu întrețineți niciodată acumulatori deteriorați.** Întreținerea acumulatorilor ar trebui efectuată numai de către producător sau de către furnizorii de service autorizați de acesta.

INSTRUCȚIUNI DE SIGURANȚĂ PENTRU SCULE MULTIFUNCȚIONALE FĂRĂ FIR

- **Țineți scula electrică de mânărele izolate atunci când executați operații în cursul cărora accesoriul de tăiere poate atinge fire electrice ascunse** (contactul un cablu aflat sub tensiune poate electricifica componentele metalice ale sculei electrice, existând riscul unui șoc electric pentru operator)
- **Folosiți clame sau alte metode practice pentru a securiza și susține piesa de prelucrat pe o platformă stabilă** (dacă țineți piesa cu mâna sau sprijinită de corp va fi instabilă și puteți pierde controlul asupra ei)

GENERALITĂȚI

- Această sculă nu trebuie să fie folosit de persoane sub 16 ani
- Evitați daunele provocate de șuruburi, ținte și alte elemente din timpul lucrului; înlăturați aceste elemente înainte de a trece la acțiune
- **Nu prelucrați materiale care conțin azbest** (azbestul este considerat a fi cancerigen)

- Scoateți bateria din sculă înainte de a face orice reglaje sau de a schimba accesorii
- Când lucrați întotdeauna țineți aparatul cu ambele mâini cu fermitate și luați o poziție stabilă
- Praful rezultat din materiale precum vopseala care conține plumb, unele specii de lemn, minerale și metale poate fi periculos (contactul cu praful sau inhalarea acestuia poate provoca reacții alergice și/sau afecțiuni respiratorii operatorului sau persoanelor care stau în apropiere); **purtați o mască de praf și lucrați cu un dispozitiv de extragere a prafului când poate fi conectat**
- Anumite tipuri de praf sunt clasificate ca fiind cancerigene (cum ar fi praful de stejar și fag) în special în combinație cu aditivi pentru tratarea lemnului; **purtați o mască de praf și lucrați cu un dispozitiv de extragere a prafului când poate fi conectat**
- Respectați reglementările naționale referitoare la aspirația prafului în funcție de materialele de lucru folosite
- **Purtați mănuși de protecție când schimbați accesoriul** (contactul cu accesoriul poate cauza leziuni)
- Când puneți instrumentul la o parte, deconectați motorul și asigurați-vă că toate elementele mobile și-au oprit complet mișcarea

CÂND TĂIAȚI/SECȚIONAȚI

- **Țineți mâinile la distanță de zona de tăiere**; nu atingeți niciodată materialul de sub lamă sub niciun motiv în timpul tăierii
- **Folosiți detectoare adecvate pentru depistarea conductelor și conductorilor de alimentare sau apelați în acest scop la întreprinderea locală de furnizare a utilităților** (contactul cu conductorii electrici poate provoca incendii sau electrocutare; deteriorarea unei conducte de gaz poate duce la explozii; spargerea unei conducte de apă provoacă pagube materiale sau poate provoca electrocutare)
- Nu folosiți o pânză de ferăstrău care este crăpată, deformată sau tocită

CÂND ȘLEFUIȚI

- **Utilizați scula numai pentru șlefuire uscată** (pătrunderea apei în interiorul sculei mărește pericolul de electrocutare)
- Nu atingeți benzii mobilă de șlefuire
- Nu continuați să folosiți benzile de șlefuire uzate, rupte sau extrem de înăcșite
- În timpul șlefuirii de metale sunt împrăștiate scântei: nu folosiți aspiratorul și nu permiteți prezența altor persoane sau a unor materiale inflamabile în perimetrul de activitate

BATERIILOR

- **Bateria furnizată este parțial încărcată** (pentru a asigura o capacitate maximă a bateriei, încărcați-o complet utilizând încărcătorul acesteia înainte de a utiliza scula electrică pentru prima dată)
- **Utilizați numai următoarele baterii și încărcătoare cu această sculă**
 - Baterie SKIL: BR1*31****
 - Încărcător SKIL: CR1*31****
- Nu utilizați bateria dacă este avariată; aceasta trebuie înlocuită
- Nu dezambalati bateria
- Nu expuneți scula/bateria la ploaie
- Temperatură ambientă admisă (instrument/încărcător/accumulator):
 - în timpul încărcării 4...40°C

- în timpul funcționării -20...+50°C
- în timpul depozitării -20...+50°C

EXPLICAȚIA SIMBOLURILOR DE PE INSTRUMENT/ BATERIE

- ③ Această sculă acceptă accesoriile cele mai des întâlnite pentru scule multifuncționale, inclusiv accesorii de bază existente OIS și Starlock
- ④ Citiți manual de instrucțiuni înainte de utilizare
- ⑤ Bateriile vor exploda când sunt aruncate în foc, deci nu ardeți bateriile sub niciun motiv
- ⑥ Păstrați instrumentul/încărcătorul/bateria la temperaturi cuprinse între 50°C și 0°C
- ⑦ Nu aruncați sculele electrice și bateriile direct la pubelele de gunoi

UTILIZAREA

- Încărcarea bateriei
 - ! **citiți avertismentele de siguranță și instrucțiunile care au fost furnizate împreună cu încărcătorul**
- Scoaterea/instalarea bateriilor ②
- Indicator nivel încărcare acumulator ⑧
 - apăsați butonul care indică nivelul de încărcare a bateriei M pentru a afișa nivelul actual de încărcare al bateriei ⑧a
 - ! **când nivelul minim al indicatorului bateriei începe să lumineze intermitent după apăsarea butonului M ⑧b, bateria este descărcată**
 - ! **Când 2 nivelurile indicatorului bateriei încep să lumineze intermitent după apăsarea butonului M ⑧c, bateria nu se încadrează în intervalul permis de temperatură de funcționare**
- Lampă LED L ⑨
 - LED-ul se aprinde automat când activați comutatorul de pornire/oprire
 - ! **când LED-ul începe să lumineze intermitent, protecția bateriei este activată (a se vedea mai jos)**
- Protecția bateriei
 - Aparatul este oprit brusc sau împiedicat să fie pornit când
 - **sarcina este prea mare** --> îndepărtați sarcina și reporniți
 - **temperatura bateriei nu se încadrează în intervalul permis de temperatură de funcționare între -20 și +50 °C** --> nivelurile 2 ale indicatorului nivelului de încărcare al bateriei încep să lumineze intermitent la apăsarea butonului M ⑧c; așteptați până când bateria revine în intervalul permis de temperatură de funcționare
 - **bateria este aproape descărcată (pentru a proteja împotriva descărcării în totalitate)** --> un nivel de încărcare scăzut al bateriei sau un nivel de încărcare scăzut al bateriei care luminează intermitent ⑧b este afișat de indicatorul nivelului de încărcare al bateriei la apăsarea butonului M; încărcați bateria
 - ! **nu continuați să apăsați comutatorul pornit/oprit după oprirea automată a mașinii; în caz contrar, bateria poate fi deteriorată**
- Schimbarea accesoriilor ⑩
 - ! **scoateți bateria din sculă**
 - demontați/montați accesoriul necesar în modul indicat în imagine

- asigurați-vă că deschiderile din accesoriu se cuplează cu clemele de pe capul sculei (orice poziție de fixare posibilă)
- montați accesoriul cu depresiunea centrală orientată în jos
- **verificați dacă accesoriul este bine fixat** (accesoriile strânse incorect sau insuficient se pot desprinde în timpul funcționării și crea pericole)
- Aspirarea a prafului ⑪
 - ! **scoateți bateria din sculă**
 - utilizați adaptorul pentru aspirator J doar atunci când lucrați cu placa de șlefuit E
 - montați adaptorul pentru aspiratorul J așa cum este ilustrat
 - conectați aspiratorul
 - ! **nu folosiți dispozitivul de extragere a prafului/aspiratorul când șlefuiți metale**
 - curățați adaptorul pentru aspirator J în mod regulat pentru randament optim de aspirare a prafului
- Montarea benzii de șlefuire ⑫
 - îndepărtați praful de pe sistemul de prindere VELCRO de pe placa de șlefuit E înainte de a monta banda de șlefuit
 - montați benzii de șlefuire VELCRO H conform ilustrației
 - ! **aspiratorul de reziduu necesită folosirea benzilor perforate de șlefuire**
 - ! **perforațiile de pe benzii de șlefuire trebuie să corespundă cu perforațiile din stativul de șlefuire**
 - ! **înlocuiți la timp benzile de șlefuire uzate**
 - ! **folosiți întotdeauna scula cu suprafața VELCRO acoperită în totalitate cu hârtie de șlefuit**
- Pornit/oprit
 - conectați/deconectați aparatul, prin împingerea comutatorului C ② în poziția "I"/"O"
 - ! **înainte ca accesoriul să atingă piesa care urmează a fi prelucrată, sculă ar trebui să funcționeze la întreaga viteză**
 - ! **înainte de oprirea scula, trebuie să o ridicați de pe piesa de prelucrat**
- Reglarea vitezei de lucru ⑬
 - cu roata D frecvența variabilă necesară poate fi reglată de la valoarea mică (1) la mare (6) (și în timpul funcționării)
 - viteza de lucru optimă depinde de material și poate fi stabilită prin teste practice
- Mânuirea și dirijarea sculei
 - ! **în timp ce lucrați, țineți întotdeauna scula de zonă (zonele de prindere colorate gri) ⑭**
 - mențineți fantele de ventilație K neacoperite
 - nu aplicați o presiune prea mare asupra sculei (apăsarea exagerată are ca efect supraîncălzirea bitului și scurtarea duratei de utilizare a acestuia)
- Accesoriul pentru reglarea adâncimii (DEPTH STOP) (nu este inclusă în dotarea standard) ⑮

SFATURI PENTRU UTILIZARE

- Pentru a obține rezultate optime pe diverse tipuri de materiale utilizați tabelul ⑯ ca referință pentru determinarea accesoriului corect (**accesoriile nu sunt dotare standard**)
- Pentru mai multe informații, consultați www.skil.com

ÎNȚREȚINERE / SERVICE

- Această sculă nu este destinată utilizării profesionale
- Păstrați întotdeauna aparatul curat (mai ales fantele de ventilație K ②)
- ! **scoateți bateria din scula electrică înainte de curățare**
- Dacă în ciuda procedeelelor de fabricație și control riguroase scula are totuși o pană, repararea acesteia se va face numai la un atelier de asistență service autorizat pentru scule electrice SKIL
 - trimiteți scula **în totalitatea lui** cu bonul de cumpărare la distribuitorul sau la centrul de service SKIL cel mai apropiat (adrese și diagrame de service se găsesc la www.skil.com)
- Trebuie să fiți conștienți de faptul că deteriorarea datorată suprasarcinii sau utilizării incorecte a sculei vor fi excluse din garanție (pentru condițiile de garanție SKIL consultați www.skil.com sau întrebați distribuitorul)

MEDIUL

- **Nu aruncați sculele electrice, bateriile, accesoriile sau ambalajele direct la pubelele de gunoi** (numai pentru țările din Comunitatea Europeană)
 - Directiva Europeană 2012/19/EC face referire la modul de aruncare a echipamentelor electrice și electronice și modul de aplicare a normelor în conformitate cu legislația națională; sculele electrice în momentul în care au atins un grad avansat de uzură și trebuie aruncate, ele trebuie colectate separat și reciclate într-un mod ce respectă normele de protecție a mediului înconjurător
 - simbolul ⑦ vă va reaminti acest lucru
 - ! **înainte aruncare protejați terminalele bateriei cu lentă protectoare pentru a preîntâmpina scurtcircuitul**

ZGOMOT / VIBRAȚII

- Măsurate în conformitate cu EN 62841, nivelul de presiune sonoră a acestui instrument este 86,5 dB(A) și nivelul de zgomot 97,5 dB(A) (incertitudinea K = 3 dB) și vibrația * (suma vectorială triaxială; incertitudinea K = 1,5 m/s²)
- * în timpul șlefurii < 2,5 m/s²
- Nivelul emisiilor de vibrații a fost măsurat în conformitate cu un test standardizat precizat în EN 62841; poate fi folosit pentru a compara o sculă cu alta și ca evaluare preliminară a expunerii la vibrații atunci când folosiți scula pentru aplicațiile menționate
 - utilizarea sculei pentru aplicații diferite sau cu accesorii diferite și prost întreținute poate **crește** semnificativ nivelul de expunere
 - momentele în care scula este oprită sau când funcționează dar nu execută nicio lucrare, pot **reduce** semnificativ nivelul de expunere
 - ! **protejați-vă împotriva efectelor vibrațiilor prin întreținerea sculei și a accesoriilor sale, păstrând mâinile calde și organizând procesele de lucru**

Безчетков акумулаторен многофункционален инструмент 3650

УВОД

- Този инструмент е предназначен за рязане и прорязване в дърво, глатмаса, мазилка, метали и меки фаянсови плочки, а така също и сухо шлифование и стъргане на малки площи
- Той е особено удобен за работа в близост до ръбове, за дейности с врезно подаване, както и за абразивно-струйно рязане
- Този инструмент не е предназначен за професионална употреба
- Този електроинструмент е конструиран да приема най-разпространените многофункционални аксесоари, включително и съществуващите допълнителни приспособления на OIS и Starlock ^③
- Прочетете и пазете това ръководство за работа ^④

ТЕХНИЧЕСКИ ДАННИ ^①

ЕЛЕМЕНТИ НА ИНСТРУМЕНТА ^②

- A Затягащ лост
- B Затягащ винт с шайба
- C Прекъсвач за включване/изключване
- D Регулатор за избор на скорост
- E Шлифовъчна плоча
- F Сегментиран режещ диск
- G Лист за вибрационно рязане
- H Шлифовъчен лист
- J Адаптер за прахосмукачка
- K Вентилационните отвори
- L Светодиодна светлина
- M Индикатор за капацитета на батерията
- N Приспособление за регулиране на дълбочината *
 - * НЕ Е ВКЛЮЧЕНА СТАНДАРТНО

БЕЗОПАСНОСТ

ОБЩИ УКАЗАНИЯ ЗА БЕЗОПАСНА РАБОТА С ЕЛЕКТРОИНСТРУМЕНТИ

⚠ ПРЕДУПРЕЖДЕНИЕ Прочете всички предупреждения за безопасност, инструкции, илюстрации и спецификации, доставени с този електроинструмент. Неспазването на всички описани по-долу инструкции може да доведе до токов удар, пожар и/или тежко нараняване.

Запазете всички предупреждения и указания за ползване в бъдеще.

Използваният по-долу термин “електроинструмент” се отнася до захранвани от електрическата мрежа електроинструменти (със захранващ кабел) и до захранвани от акумулаторна батерия електроинструменти (без захранващ кабел).

1) БЕЗОПАСНОСТ НА РАБОТНОТО МЯСТО

- a) **Поддържайте работното си място чисто и подредено.** Безпорядъкът или недостатъчното осветление могат да спомогнат за възникването на трудова злополука.
- b) **Не работете с електроинструмента в среда с повишена опасност от възникване на експлозия, в близост до леснозапалими течности, газове или прахообразни материали.** По време на работа в електроинструментите се отделят искри, които могат да възпламенят прахообразни материали или пари.
- c) **Дръжте деца и странични лица на безопасно разстояние, докато работите с електроинструмента.** Ако вниманието Ви бъде отклонено, може да загубите контрола над електроинструмента.

2) БЕЗОПАСНОСТ ПРИ РАБОТА С ЕЛЕКТРИЧЕСКИ ТОН

- a) **Щепселът на електроинструмента трябва да е подходящ за ползвания контакт. В никакъв случай не се допуска изменение на конструкцията на щепсела.** Когато работите със занулени електроуреди, не използвайте адаптери за щепсела. Ползването на оригинални щепсели и контакти намалява риска от възникване на токов удар.
- b) **Избягвайте допира на тялото Ви до заземени тела, напр. тръби, отоплителни уреди, пещи и хладилници.** Когато тялото Ви е заземено, рискът от възникване на токов удар е по-голям.
- c) **Предпазвайте електроинструмента си от дъжд и влага.** Проникването на вода в електроинструмента повишава опасността от токов удар.
- d) **Не използвайте захранващия кабел за цели, за които той не е предвиден, напр. за да носите електроинструмента за кабела или да извадите щепсела от контакта.** Предпазвайте кабела от нагряване, омасляване, допир до остри ръбове или до подвижни звена на машини. Повредени или усукани кабели увеличават риска от възникване на токов удар.
- e) **Когато работите с електроинструмент навън, използвайте само удължителни кабели, предназначени за работа на открито.** Използването на удължител, предназначен за работа на открито, намалява риска от възникване на токов удар.
- f) **Ако се налага използването на електроинструмента във влажна среда, използвайте предпазен прекъсвач за утечни токове.** Използването на предпазен прекъсвач за утечни токове намалява опасността от възникване на токов удар.

3) БЕЗОПАСЕН НАЧИН НА РАБОТА

- a) **Бъдете концентрирани, следете внимателно действията си и постъпвайте предпазливо и разумно.** Не използвайте електроинструмента, когато сте уморени или под влиянието на наркотични вещества, алкохол или упойващи лекарства. Един миг разсеяност при работа с електроинструмент може да има за последствие изключително тежки наранявания.

- b) **Работете с предпазващо работно облекло и винаги с предпазни очила.** Носенето на подходящи за ползвания електроинструмент и извършваната дейност лични предпазни средства, като дихателна маска, здрави плътнотзатворени обувки със стабилен грайфер, защитна каска или шумозаглушители (антифони), намалява риска от възникване на трудова злополука.
- c) **Избягвайте опасността от включване на електроинструмента по невнимание. Преди да включите щепсела в захранващата мрежа или да поставите акумулаторната батерия, се уверявайте, че пусковият прекъсвач е в положение изключено.** Ако, когато носите електроинструмента, държите пръста си върху пусковия прекъсвач, или ако подавате захранващо напрежение на електроинструмента, когато е включен, съществува опасност от възникване на трудова злополука.
- d) **Преди да включите електроинструмента, се уверявайте, че сте отстранили от него всички помощни инструменти и гаечни ключове.** Помощен инструмент, забравен на въртящо се звено, може да причини травми.
- e) **Не надценявайте възможностите си. Работете в стабилно положение на тялото и във всеки момент поддържайте равновесие.** Така ще можете да контролирате електроинструмента по-добре и по-безопасно, ако възникне неочаквана ситуация.
- f) **Работете с подходящо облекло. Не работете с широки дрехи или украшения. Дръжте косата и дрехите си на безопасно разстояние от движещи се звена.** Широките дрехи, украшенията, дългите коси могат да бъдат захванати и увлечени от въртящи се звена.
- g) **Ано е възможно използването на външна аспирационна система, се уверявайте, че тя е включена и функционира изправно.** Използването на аспирационна система намалява рисковете, дължащи се на отделящата се при работа прах.
- h) **Доброто познаване на електроинструмента вследствие на честа работа с него не е повод за намаляване на вниманието и пренебрегване на мерките за безопасност.** Едно невнимателно действие може да предизвика тежки наранявания само за части от секундата.
- 4) ВНИМАТЕЛНО ОТНОШЕНИЕ КЪМ ЕЛЕКТРОИНСТРУМЕНТИ**
- a) **Не претоварвайте електроинструмента. Използвайте електроинструментите само съобразно тяхното предназначение.** Ще работите по-добре и по-безопасно, когато използвате подходящия електроинструмент в зададения от производителя диапазон на натоварване.
- b) **Не използвайте електроинструмент, чиито пусков прекъсвач е повреден.** Електроинструмент, който не може да бъде изключван и включван по предвидения от производителя начин, е опасен и трябва да бъде ремонтиран.
- c) **Преди да извършвате наковито и да е дейността по електроинструмента, напр. настройване, смяна на работен инструмент, както и когато го прибирате, изключвайте щепсела от контакта,**
- resp. **изваждайте батерията, ако е възможно.** Тази мярка премахва опасността от задействане на електроинструмента по невнимание.
- d) **Съхранявайте електроинструментите на места, където не могат да бъдат достигнати от деца. Не допускайте те да бъдат използвани от лица, които не са запознати с начина на работа с тях и не са прочели тези инструкции.** Когато са в ръцете на неопитни потребители, електроинструментите могат да бъдат изключително опасни.
- e) **Поддържайте добре електроинструментите си и аксесоарите им. Проверявайте дали подвижните звена функционират безупорно, дали не заклинват, дали има счупени или повредени детайли, които нарушават или изменят функциите на електроинструмента. Преди да използвате електроинструмента, се погрижете повредените детайли да бъдат ремонтирани.** Много от трудовите злополуки се дължат на недобре поддържани електроинструменти и уреди.
- f) **Поддържайте рещещите инструменти винаги добре заточени и чисти.** Добре поддържаните рещещи инструменти с остри ръбове оказват по-малко съпротивление и се водят по-леко.
- g) **Използвайте електроинструментите, допълнителните приспособления, работните инструменти и т.н., съобразно инструкциите на производителя. С дейности и процедури, евентуално предписани от различни нормативни документи.** Използването на електроинструменти за различни от предвидените от производителя приложения повишава опасността от възникване на трудови злополуки.
- h) **Поддържайте дръжките и ръкохватните сухи, чисти и неомаслени.** Хлъзгавите дръжки и ръкохватки не позволяват безопасната работа и доброто контролиране на електроинструмента при възникване на неочаквана ситуация.
- 5) ВНИМАТЕЛНО ОТНОШЕНИЕ КЪМ АКУМУЛАТОРНИ ЕЛЕКТРОИНСТРУМЕНТИ**
- a) **За зареждането на акумулаторните батерии използвайте само зарядните устройства, препоръчвани от производителя.** Когато използвате зарядни устройства за зареждане на неподходящи акумулаторни батерии, съществува опасност от възникване на пожар.
- b) **За захранване на електроинструментите използвайте само предвидените за съответния модел акумулаторни батерии.** Използването на различни акумулаторни батерии може да предизвика трудова злополука и/или пожар.
- c) **Предпазвайте неизползваните акумулаторни батерии от контакт с големи или малки метални предмети, напр. кламери, монети, ключове, пирони, винтове и др.п., тъй като те могат да предизвикат късо съединение.** Последствията от късото съединение могат да бъдат изгаряния или пожар.
- d) **При неправилно използване от акумулаторна батерия от нея може да изтече електролит. Избягвайте контакта с него. Ако въпреки това на кожата Ви попадне електролит, изплакнете мястото обилно с вода. Ано електролит попадне в очите Ви, незабавно се обърнете за помощ**

към очен ленар. Електролитът може да предизвика изгаряния на кожата.

- e) **Не използвайте акумулаторна батерия или електроинструмент, които са повредени или с изменена конструкция.** Повредени или изменени акумулаторни батерии могат да се възпламенят, експлодират или да предизвикат наранявания.
 - f) **Не излагайте акумулаторната батерия на високи температури или огън.** Излагането на огън или температури над 130°C могат да предизвикат експлозии.
 - g) **Спазвайте всички указания за зареждане на акумулаторната батерия; не я зареждайте, ако температурата ѝ е извън диапазона, посочен в инструкциите.** Неправилното зареждане или зареждането при температури извън допустимия диапазон могат да увредят батерията и увеличават опасността от пожар.
- 6) ПОДДЪРЖАНЕ**
- a) **Допускайте ремонтът на електроинструментите Ви да се извършва само от квалифицирани специалисти и само с използването на оригинални резервни части.** По този начин се гарантира съхраняване на безопасността на електроинструмента.
 - b) **Никога не ремонтирайте повредени акумулаторни батерии.** Ремонтът на акумулаторни батерии трябва да се извършва само от производителя или от оторизиран сервиз.

ИНСТРУКЦИИ ЗА БЕЗОПАСНОСТ ЗА БЕЗЖИЧНИ МНОГОФУНКЦИОНАЛНИ ИНСТРУМЕНТИ

- **Дръжте електроинструмента за изолирани захващащи повърхности при изпълняване на операция, при която режещият аксесоар може да влезе в контакт със скрито окабеляване** (режещ аксесоар в контакт с „жив“ електрически проводник може да направи изложнените метални части на електроинструмента „живи“ и да причини електрически шок у оператора)
- **Използвайте затягащи приспособления или друг практичен начин за обезопасяване и закрепване на обработвания детайл към стабилна основа** (държането на обработвания детайл с ръка или опрян до тялото го прави нестабилен и може да доведе до загуба на контрол)

ОБЩИ

- Машината не трябва да се използва от лица под 16 години
- Избягвайте повреди, които могат да бъдат причинени от винтове, гвоздеи и други метални елементи в обработвания детайл; отстранете ги преди да започнете работа
- **Не обработвайте азбестосъдържащ материал** (азбестът е канцерогенен)
- Изваждайте батерията от инструмента преди всякакви регулировки или смяна на принадлежността
- При работа дръжте електроинструмента здраво с двете ръце и поддържайте устойчиво
- Прахът от някои материали, като например съдържаща олово боя, някои видове дървесина, минерали и метали може да бъде вреден (контакт или вдихване на такъв прах могат да причинят

алергични реакции и/или респираторни заболявания на оператора или стоящите наблизо лица);

- **Използвайте противопохова масна и работете с аспириращо прахта устройство, когато такова може да бъде свързано**
- Определени видове прах са класифицирани като карциногенни (като прах от дъб и бук) особено когато са комбинирани с добавки за подобряване на състоянието на дървесината; **използвайте противопохова масна и работете с аспириращо прахта устройство, когато такова може да бъде свързано**
- Следвайте дефинираните по БДС изисквания относно запаршеността за материалите, които желаете да обработвате
- **При смяната на аксесоари използвайте защитни ръкавици** (контактът с аксесоар може да доведе до нараняване)
- Преди да приберете инструмента, изключете мотора и се уверете, че всички движещи се части са преустановили движението

ПРИ РЯЗАНЕ/ПРОРЪЗВАНЕ

- **Дръжте ръцете си далеч от зоната на рязане;** докато режете никога и по никаква причина не посягайте под материала
- **За да откриете скрити под повърхността електро-, водо- и газопроводи, използвайте подходящи уреди или се обърнете към местното снабдително дружество** (прекъсването на електропроводници под напрежение може да предизвика пожар и/или токов удар; увреждането на газопровод може да предизвика експлозия; засягането на водопровод може да предизвика значителни материални щети и/или токов удар)
- Не използвайте режеща лента, която е напукана, деформирана или затъпена

ПРИ ШЛАЙФАНЕ

- **Използвайте инструмента само за сухо шлайфане** (проникването на вода в инструмента увеличава риска от удар от електрически ток)
- Не докосвайте шлифовъчния лист
- Не използвайте износени, разкъсани или силно замърсени шлифовъчни листове
- При шлайфане на метал се образуват искри; не използвайте прахосмукачката и дръжте други лица и възпламеняващ се материал извън обсега на действие

БАТЕРИИ

- **Идващата в комплекта батерия е частично заредена** (за да осигурите пълен капацитет на батерията, заредете напълно батерията в зарядното устройство за батерия, преди да използвате вашия електроинструмент за първи път)
- **Използвайте само следните батерии и зарядни устройства с този инструмент**
 - SKIL батерия: BR1*31****
 - SKIL зарядно устройство: CR1*31****
- Не използвайте батерията, когато е повредена; тя трябва да бъде заменена
- Не разглобявайте батерията
- Не излагайте на дъжд инструмента/батерията
- Допустима околна температура (инструмент/зарядното устройство/батерия):
 - при зареждане 4...40°C
 - по време на работа -20...+50°C
 - при съхраняване -20...+50°C

ОБЯСНЕНИЕ НА СИМВОЛИТЕ ПО ИНСТРУМЕНТА/ АКУМУЛАТОРНАТА БАТЕРИЯ

- ③ Този инструмент допувка използването на най-разпространените многофункционални аксесоари, включително съществуващите базови аксесоари на OIS и Starlock
- ④ Преди употреба прочетете ръководството с указания
- ⑤ Хвърлен в огън, акумулаторът ще експлодира, така че не изгаряйте акумулатора по каквато и да е причина
- ⑥ Съхранявайте инструмента/зарядното устройство/батерията в помещения при температури, не високи от 50°C
- ⑦ Не изхвърляйте електроуредите и батерии заедно с битови отпадъци

УПОТРЕБА

- Зареждане на акумулатора
 - ! **прочетете предупрежденията и инструкциите за безопасност, доставени със зарядното устройство**
 - Изваждане/поставяне на батерията ②
 - Индикатор за капацитета на батерията ⑧
 - натиснете бутона за индикатор на нивото на заряд на батерията M за показване на текущото ниво на заряд на батерията ⑧a
 - ! **когато най-ниското ниво на индикатора за заряд на батерията започне да мига след натискане на бутона M ⑧b, батерията е празна**
 - ! **когато 2 нивата на индикатора за заряд на батерията започнат да мигат след натискане на бутона M ⑧c, батерията не е в допустимия работен температурен диапазон**
 - Светодиодна светлина L ⑨
 - светодиодът светва автоматично, когато се активира превключвателят за включване/изключване
 - ! **когато светодиодът започне да мига, защитата на батерията е активирана (вижте по-долу)**
 - Защита на батерията
 - Инструментът внезапно се изключва или не позволява да се включи, когато
 - **натоварването е преналено голямо** --> премахнете натоварването и рестартирайте
 - **температурата на батерията е извън допустимия работен температурен диапазон от -20 до +50°C** --> 2 нивата на индикатора за заряд на батерията започват да мигат, когато натискате бутона M ⑧c; изчакайте, докато батерията си възвърне допустимия работен температурен диапазон
 - **батерията е почти празна (за предпазване срещу пълно разреждане)** --> ниско ниво на батерията или мигащо ниско ниво на батерията ⑧b е показано чрез индикатора за заряд на батерията, когато натискате бутона M; заредете батерията
 - ! **след автоматичното изключване на инструмента не продължавайте да натискате спусъка, понеже може да се повреди акумулаторът**
 - Смяна на аксесоари ⑩
 - ! **изваждайте батерията от инструмента**
 - сваляйте/монтирайте необходимия аксесоар, както е показано

- осигурете съвпадение на отворите на аксесоара с щифовете на главата на инструмента (възможна е всякаква позиция на вкарване)
- монтирайте аксесоара при насочен надолу, натиснат център
- **проверете дали аксесоарът е легнал плтно** (неправилно или недобре закрепени аксесоари могат да се разхлатят при работа и да станат опасни)
- Изсмукване на праха ⑪
 - ! **изваждайте батерията от инструмента**
 - използвайте адаптер за прахосмукачка J само когато работите с подложка за шкурена E
 - монтирайте адаптора за прахосмукачката J, както е показано
 - свържете прахосмукачката
 - ! **не приспособление за изсмукване на праха/прахосмукачка при шлайфане на метал**
 - почиствайте адаптера за прахосмукачка J редовно за оптимална работа при прахоулавянето
- Поставяне на шлифовъчния лист ⑫
 - изчистете праха от материала ВЕЛКРО на шлифовъчната плоча E преди да поставите шкурката
 - монтирайте шлифовъчния лист от ВЕЛКРО H, както е показано
 - ! **прахоизсмукването изисква използването на перфорирани шлифовъчни листове**
 - ! **перфорацията на шлифовъчния лист трябва да съвпадне с перфорацията в шлифовъчната основа**
 - ! **сменяйте своевременно износените шлифовъчни листове**
 - ! **използвайте инструмента с цялата повърхност от ВЕЛКРО винаги напълно покрита с шлифовъчен лист**
- Включване/изключване
 - инструментът включвайте/изключвайте чрез превключване на ключа C ② в позиции "I"/"O"
 - ! **преди аксесоарът да докосне работната площ, инструментът трябва да работи с максимална скорост**
 - ! **преди да изключите инструмента, трябва да я вдигнете от работната повърхност**
- Регулиране на работната скорост ⑬
 - с диска D честотата на колебанията може да се регулира от ниско (1) до висока (6) (също докато инструментът работи)
 - оптималната работна скорост зависи от материала и може да бъде определена с практически опити
- Държане и насочване на инструмента
 - ! **по време на работа, винаги дръжте уреда за оцветената(ите) в сиво зона(и) за хващане ⑭**
 - оставайте вентилационните отвори K непокрити
 - не натискайте инструмента много силно (силният натиск води до силно нагряване и може да скъси експлоатационния срок на приспособлението)
- Приспособление за регулиране на дълбочината (DEPTH STOP) (не е стандартен аксесоар) ⑮

УКАЗАНИЯ ЗА РАБОТА

- За оптимални резултати при различни материали използвайте таблицата ⑯ за справка при

определянето на подходящата принадлежност (принадлежностите не са включени стандартно)

- За повече информация вижте www.skil.com

ПОДДРЪЖКА / СЕРВИЗ

- Този инструмент не е предназначен за професионална употреба
- Винаги поддържайте инструмента чист (особено вентилационните отвори К ②)
! извадете батерията от инструмента преди почистване
- Ако въпреки прецизното производство и внимателно изпитване възникне повреда, инструмента да се занесе за ремонт в оторизиран сервиз за електроинструменти на SKIL
- занесете инструмента в **неразглобен вид** заедно с доказателство за покупката му в търговския обект, откъдето сте го закупили, или в най-близкия сервиз на SKIL (адресите, както и схемата за сервизно обслужване на електроинструмента, можете да намерите на адрес www.skil.com)
- Имайте предвид, че повреда поради претоварване или неправилно манипулиране с инструмента ще бъдат изключени от гаранцията (за условията на гаранцията от SKIL виж на интернет адрес: www.skil.com или попитайте вашия дилър)

ОПАЗВАНЕ НА ОКОЛНАТА СРЕДА

- **Не изхвърляйте електроуредите, батерии, приспособленията и опановките заедно с битови отпадъци** (само за страни от ЕС)
- съобразно Директивата на ЕС 2012/19/EG относно износени електрически и електронни уреди и отразяването ѝ в националното законодателство износените електроуреди следва да се събират отделно и да се предават за рециклиране според изискванията за опазване на околната среда
- за това указва символът ⑦ тогава когато трябва да бъдат унищожени
! преди да изхвърлите батерията, защитете изводите ѝ с дебела лепенка, за да няма опасност от възникване на късо съединение

ШУМ / ВИБРАЦИИ

- Измерено в съответствие с EN 62841, нивото на звуковото налягане на този инструмент е 86,5 dB(A), а нивото на звуковата мощност 97,5 dB(A) (неопределеност K = 3 dB), и вибрацията * (триаксиална векторна сума; неопределеност K = 1,5 m/s²)
* докато почистване < 2,5 m/s²
- Нивото на предадените вибрации е измерено в съответствие със стандартизиран тест, определен в EN 62841; то може да се използва за сравнение на един инструмент с друг и като предварителна оценка на подлагането на вибрации при използването на инструмента за посочените приложения
- използването на инструмента за различни от тези приложения или с други, или лошо поддържани аксесоари може значително **да повиши** нивото на което сте подложени
- периодите от време, когато инструмента е изключен или съответно включен, но с него не се

работи в момента могат значително **да намалят** нивото на което сте подложени

! предпазвайте се от ефентите от вибрациите, като поддържайте инструментите и аксесоарите му, пазите ръцете си топли и организирате вашите модели на работа

SK

Bezdrôtový bezkefový multifunkčný nástroj

3650

ÚVOD

- Tento nástroj je určený na pílenie a rezanie dreva, plastov, omietok, kovov a mäkkých obkladačiek, ako aj na brúsenie nasucho a na škrabanie plôch menších rozmerov
- Mimoriadne dobre sa hodí na prácu na okraji materiálu, na zapichovacie rezanie a na prácu rovnoobežne s povrchovou plochou
- Tento nástroj nie je vhodný pre profesionálne použitie
- Tento nástroj sa môže používať s bežne dostupným univerzálnym príslušenstvom pre nástroje vrátane príslušenstva OIS a Starlock ③
- Prečítajte a uschovajte tento návod na použitie ④

TECHNICKÉ ÚDAJE ①

ČASTI NÁSTROJA ②

- A Upínacia páka
 - B Upínacia skrutka s podložkou
 - C Vypínač zapnutie/vypnutie
 - D Kolesko na výber rýchlost
 - E Brúsna podložka
 - F Segmentový pílový list
 - G Zapichovací pílový list
 - H Brúsny list
 - J Adaptér na vysávač
 - K Vetracie štrbiny
 - L LED-Kontrolka
 - M Indikátor nabitia akumulátora
 - N Príslušenstvo pre nastavenie hĺbky *
- * NEOBSAHUJE ŠTANDARD

BEZPEČNOSŤ

VŠEOBECNÉ BEZPEČNOSTNÉ UPOZORNENIA TÝKAJÚCE SA ELEKTRICKÉHO NÁRADIA

⚠ VÝSTRAHA Prečítajte si všetky bezpečnostné výstrahy, pokyny, ilustrácie a technické údaje, ktoré sú dodané s týmto elektrickým nástrojom. Nedodržanie všetkých nižšie uvedených pokynov môže viesť k poraneniu elektrickým prúdom, požiaru a/alebo vážnemu poraneniu.

Všetky upozornenia a pokyny si odložte na ďalšie použitie.

Pojem „elektrické náradie“ používaný v nasledujúcom texte sa vzťahuje na ručné elektrické náradie napájané zo siete (s prívodnou šnúrou) a na ručné elektrické náradie napájané akumulátorovou batériou (bez prívodnej šnúry).

1) BEZPEČNOSŤ NA PRACOVISKU

- a) **Udržiavajte svoje pracovisko čisté a upratané.** Neporiadok na pracovisku alebo neosvetlené časti pracoviska môžu viesť k úrazom.
- b) **Nepracujte elektrickým náradím v prostredí ohrozenom výbuchom, v ktorom sa nachádzajú horľavé kvapaliny, plyny alebo prach.** Elektrické náradie produkuje iskry, ktoré môžu prach alebo pary zapáliť.
- c) **Deti a iné osoby udržiavajte počas práce od ručného elektrického náradia v dostatočnej vzdialenosti.** V prípade odpútania Vašej pozornosti by ste mohli stratiť kontrolu nad náradím.

2) ELEKTRICKÁ BEZPEČNOSŤ

- a) **Zástrčka prívodnej šnúry sa musí hodiť do napájacej zásuvky. Zástrčka sa v žiadnom prípade nesmie meniť.** Pri uzemnených spotrebičoch nepoužívajte spolu s nimi žiadne adaptéry. Nezmenená zástrčka a vhodná zásuvka znižujú riziko zásahu elektrickým prúdom.
- b) **Vyhýbajte sa telesnému kontaktu s povrchovými plochami uzemnených spotrebičov, ako sú elektrické rúry, vyhrievacie telesá, sporáky a chladničky.** Keď je Vaše telo uzemnené, riziko zásahu elektrickým prúdom je vyššie.
- c) **Chráňte ručné elektrické náradie pred dažďom a vlhkom.** Vniknutie vody do ručného elektrického náradia zvyšuje riziko zásahu elektrickým prúdom.
- d) **Nepoužívajte prírodnú šnúru na prenášanie náradia, na jeho vešanie, ani za ňu nevyťahujte zástrčku zo zásuvky.** Prírodnú šnúru chráňte pred horúcou, olejov, ostrými hranami alebo pohybujúcimi sa časťami náradia. Poškodené alebo zauzlené šnúry zvyšujú riziko zásahu elektrickým prúdom.
- e) **Ak pracujete s ručným elektrickým náradím vonku, používajte len také predlžovacie šnúry, ktoré sú schválené pre používanie vo vonkajších priestoroch.** Používanie predlžovacej šnúry určenej do vonkajšieho prostredia znižuje riziko zásahu elektrickým prúdom.
- f) **Ak sa nedá vyhnúť použitiu ručného elektrického náradia vo vlhkom prostredí, použite prerušovač uzemňovacieho obvodu.** Používanie prerušovača uzemňovacieho obvodu znižuje riziko zásahu elektrickým prúdom.

3) BEZPEČNOSŤ OSÔB

- a) **Buďte pozorní, dávajte pozor na to, čo robíte a k práci s elektrickým náradím pristupujte rozumne.** Nepoužívajte elektrické náradie, keď ste unavení alebo keď ste pod vplyvom drog, alkoholu alebo liekov. Chvíľa nepozornosti pri používaní náradia môže viesť k vážnym poraneniam.
- b) **Noste osobné ochranné pomôcky, ochranný odev a vždy majte nasadené ochranné okuliare.** Nosenie pracovného odevu a použitia ochranných pomôcok ako ochrannej dýchacej masky, bezpečnostných protišmykových topánok, prilby alebo chrániča sluchu, podľa druhu elektrického náradia, znižuje riziko poranenia.
- c) **Vyhýbajte sa neúmyselnému uvedeniu ručného elektrického náradia do činnosti. Pred zasunutím zástrčky do zásuvky a/alebo pred pripojením akumulátora, pred chytením alebo prenášaním**

ručného elektrického náradia sa vždy presvedčte sa, či je ručné elektrické náradie vypnuté. Ak budete mať pri prenášaní ručného elektrického náradia prst na vypínači, alebo ak ručné elektrické náradie pripojíte na elektrickú sieť zapnuté, môže to mať za následok nehodu.

- d) **Skôr ako ručné elektrické náradie zapnete, odstráňte nastavovacie a montážne nástroje.** Nástroj alebo kľúč, ktorý sa nachádza v pohyblivej časti náradia, môže spôsobiť poranenie.
 - e) **Neprečunujte sa. Zabezpečte si pevný postoj a neprestajne udržiavajte rovnováhu.** Takto budete môcť ručné elektrické náradie v neočakávaných situáciách lepšie kontrolovať.
 - f) **Pri práci nosíte vhodný pracovný odev. Nenoste široké odevy a nemajte na sebe šperky.** Vyvarujte sa toho, aby sa vaše vlasy a odev dostali do blízkosti pohyblivých častí. Voľný odev, dlhé vlasy alebo šperky môžu byť zachytené rotujúcimi časťami ručného elektrického náradia.
 - g) **Ak možno namontovať zariadenie na odsávanie alebo zachytávanie prachu, presvedčte sa, či je pripojené a správne používané.** Používanie odsávacieho zariadenia a zariadenia na zachytávanie prachu znižuje riziko ohrozenia zdravia prachom.
 - h) **Nepodliehajte falošnému pocitu istoty získanej z častého používania náradia a nekonajte v rozpore s princípmi bezpečného používania náradia.** Nepozorná práca môže v priebehu zlomkov sekundy viesť k ťažkému poraneniu.
- ### 4) STAROSTLIVÉ ZAOBCHÁDZANIE S ELEKTRICKÝM NÁRADÍM A JEHO POUŽÍVANIE
- a) **Náradie nepreťažujte.** Pre svoju prácu používajte určené elektrické náradie. Pomocou vhodného ručného elektrického náradia budete môcť v uvedenom rozsahu výkonu pracovať lepšie a bezpečnejšie.
 - b) **Nepoužívajte žiadne ručné elektrické náradie, ktoré má pokazený vypínač.** Ručné elektrické náradie, ktoré sa už nedá zapínať alebo vypínať, je nebezpečné a treba ho dať opraviť.
 - c) **Skôr ako začnete náradie nastavovať alebo prestavovať, vymieňať príslušenstvo alebo ako odložíte náradie, vždy vytiahnite koncovku sieťovej šnúry zo zásuvky a/alebo vyberte akumulátor, ak sa dá vybrať.** Toto preventívne opatrenie zabraňuje neúmyselnému spusteniu ručného elektrického náradia.
 - d) **Nepoužívané ručné elektrické náradie uschovávajte mimo dosahu detí.** Nedopušte, aby ručné elektrické náradie používali osoby, ktoré s ním nie sú dôkladne oboznámené, alebo ktoré si neprečítali tento Návod na používanie. Ak ručné elektrické náradie používajú neskúsené osoby, stáva sa nebezpečným nástrojom.
 - e) **Ručné elektrické náradie a príslušenstvo starostlivo ošetrte.** Skontrolujte, či pohyblivé súčiastky náradia bezchybne fungujú a neblokujú a či nie sú zlomené alebo poškodené niektoré súčiastky, ktoré by mohli negatívne ovplyvniť fungovanie ručného elektrického náradia. Pred použitím ručného elektrického náradia dajte poškodené súčiastky opraviť. Nejednen úraz bol spôsobený zle udržiavaným náradím.
 - f) **Používajte nástroje udržiavajte ostré a čisté.** Starostlivo ošetrované nástroje s ostrými reznými

hranami sa menej často zablokujú a ich vedenie je podstatne ľahšie.

- g) **Používajte ručné elektrické náradie, príslušenstvo, pracovné nástroje a pod. podľa týchto pokynov. Zohľadnite pritom konkrétne pracovné podmienky a činnosť, ktorú máte vykonať.** Používanie ručného elektrického náradia na iné ako určené účely môže viesť k nebezpečným situáciám.
- h) **Rukoväti a úchopové povrchy udržiavajte suché, čisté a bez oleja alebo mazacieho tuku.** Šmykľavé rukoväti a úchopové povrchy neumožňujú bezpečnú manipuláciu a ovládanie náradia v neočakávaných situáciách.
- 5) **STAROSTLIVÉ ZAOBCHÁDZANIE S ELEKTRICKÝM NÁRADÍM NAPÁJANÝM AKUMULÁTOROM A JEHO POUŽÍVANIE**
 - a) **Akumulátory nabíjajte len v takých nabíjačkách, ktoré odporúča výrobca.** Ak nabíjate nabíjačkou určenou pre určitý druh akumulátorov iné akumulátory, hrozí nebezpečenstvo požiaru.
 - b) **Do ručného elektrického náradia používajte len určené akumulátory.** Používanie iných akumulátorov môže mať za následok poranenie, alebo môže spôsobiť vznik požiaru.
 - c) **Keď akumulátor nepoužívate, zabezpečte, aby sa nemohol dostať do styku s kancelárskymi sponami, mincami, kľúčmi, klincami, skrutkami alebo inými drobnými predmetmi, ktoré by mohli spôsobiť premostenie kontaktov.** Skrat medzi kontaktmi akumulátora môže spôsobiť popálenie alebo požiar.
 - d) **Ak sa akumulátor používa nevhodne, môže z neho unikáť kvapalina. Vyhýbajte sa kontaktu s ňou. V prípade náhodného kontaktu umyte postihnuté miesto vodou. Ak sa dostane akumulátorová kvapalina do očí, vyhľadajte okrem toho aj lekársku pomoc.** Vytekáajúca kvapalina môže spôsobiť podráždenie pokožky alebo popálenie.
 - e) **Nepoužívajte poškodený alebo upravený akumulátor alebo náradie.** Poškodené alebo upravené akumulátory môžu neočakávane reagovať a spôsobiť požiar, výbuch alebo zranenie.
 - f) **Akumulátory alebo náradie nevhadzujte do ohňa alebo nevystavujte nadmerným teplotám.** Vystavenie pôsobeniu ohňa alebo teploty nad 130°C môže spôsobiť výbuch.
 - g) **Dodržiavajte pokyny na nabíjanie a akumulátory alebo náradie nenabíjajte mimo teplotného rozsahu uvedeného v pokynoch.** Nesprávne nabíjanie alebo teploty mimo špecifikovaného rozsahu môžu poškodiť akumulátor a zvýšiť riziko požiaru.
- 6) **SERVIS**
 - a) **Ručné elektrické náradie zverte do opravy len kvalifikovanému personálu a používajte len originálne náhradné súčiastky.** Tým sa zabezpečí zachovanie bezpečnosti ručného elektrického náradia.
 - b) **Nikdy neopravujte poškodené akumulátory.** Akumulátory môže opravovať len výrobca alebo autorizovaný servis.

BEZPEČNOSTNÉ POKYNY PRE AKUMULÁTOROVÉ MULTIFUNKČNÉ NÁSTROJE

- Elektrické náradie držte za izolované plochy rukoväti pri vykonávaní takej práce, pri ktorej by

mohol nástroj natrafiť na skryté elektrické vedenia

(kontakt rezacieho príslušenstva s vedením, ktoré je pod napätím, môže spôsobiť, že aj kovové súčiastky náradia sa dostanú pod napätie, čo môže spôsobiť zásah operátora elektrickým prúdom)

- **Obrábaný predmet upevnite svorkami alebo iným praktickým spôsobom k stabilnému podstavcu** (obrábaný predmet nedržte iba v rukách ani oproti telu, pretože tak nemôžete zabezpečiť jeho stabilitu a môže sa vám vymknúť spod kontroly)

VŠEOBECNE

- Tento nástroj by nemali používať osoby mladšie ako 16 rokov
- Zabráňte poškodeniu náradia skrutkami, klincami a inými kovovými predmetmi v obrobkú; zoberte ich dole prv než začnete pracovať
- **Neobrábajte materiál, ktorý obsahuje azbest** (azbest sa považuje za rakovinotvorný materiál)
- Pred nastavením alebo výmenou príslušenstva alebo vždy vyťahnite batériu
- Vždy držte nástroj pevne oboma rukami a stojne bezpečne
- , minerály a kovy môže byť škodlivý (styk alebo nadýchanie prachu môže spôsobiť alergické reakcie a/alebo respiračné ochorenia obsluhy a okolostojacích osôb); **používajte ochrannú masku tváre a pracujte so zariadením na odsávanie prachu, ak je takéto zariadenie možné pripojiť**
- Určité druhy prachu sú klasifikované ako karcinogénne (akým dubový a bukový prach), a to hlavne v spojení s prísadami pre úpravu dreva; **používajte ochrannú masku tváre a pracujte so zariadením na odsávanie prachu, ak je takéto zariadenie možné pripojiť**
- Dodržujte stanovené nariadenia pre prácu v prašnom prostredí
- **Pri výmene príslušenstva používajte ochranné rukavice** (pri dotyku s príslušenstvom môže dôjsť k poraneniu)
- Skôr než nástroj položíte, presvedčte sa že je motor vypnutý a že sú všetky pohyblivé súčiastky zastavené

PRI PÍLENÍ/REZANÍ

- **Ruky nekladajte do oblasti rezania;** nikdy a zo žiadneho dôvodu počas rezania nekladajte ruky pod materiál
- **Na vyhľadanie skrytých elektrických vedení, plynových a vodovodných potrubí použite vhodné hľadacie prístroje, alebo sa spojte s príslušným dodávateľom** (kontakt s elektrickým vedením môže mať za následok vznik požiaru alebo spôsobiť zásah elektrickým prúdom; poškodenie plynového potrubia môže spôsobiť výbuch; prevrtanie vodovodného potrubia spôsobí vecné škody, alebo môže spôsobiť zásah elektrickým prúdom)
- Nepoužívajte prasknutý, deformovaný alebo otupený pílový list

PRI BRÚSENÍ

- **Nástroj používajte len na suché brúsenie** (pri vniknutí vody do nástroja sa zvyšuje nebezpečenstvo zásahu elektrickým prúdom)
- Nedotýkajte sa pohyblivej brúsnej plochy
- Nepoužívajte opotrebené, potrhane alebo silne znečistené brúsne plochy
- Pri brúsení sa tvoria iskry; nepoužívajte vysávač a dбайte na to, aby sa v pracovnom priestore nezdržovala iná osoba a nebol horľavý materiál

BATÉRIÍ

- **Dodaná akumulátorová batéria je čiastočne nabitá** (na zaručenie úplnej kapacity batérie ju pred prvým používaním nástroja úplne nabite v nabíjačke)
- **S týmto nástrojom používajte len nasledujúce batérie a nabíjačky**
 - Batéria SKIL: BR1*31****
 - Nabíjačka SKIL: CR1*31****
- Nepoužívajte batériu, keď je poškodená; mala by sa vymeniť
- Batériu nerozoberajte
- Nástroj ani batériu nevystavujte dažďu
- Povolená teplota okolia (nástroj/nabíjačka/akumulátor):
 - pri nabíjaní 4...40°C
 - pri prevádzke -20...+50°C
 - pri skladovaní -20...+50°C

VYSVETLENIE SYMBOLOV UMIESŤNENÝCH NA NÁSTROJI/AKUMULÁTORE

- ③ Tento nástroj sa môže používať s bežne dostupným univerzálnym príslušenstvom pre nástroje vrátane príslušenstva OIS a Starlock
- ④ Pred použitím si prečítajte návod na obsluhu
- ⑤ Batérie po vhození do ohňa vybuchnú a preto batériu zo žiadneho dôvodu do ohňa nevhadzujte
- ⑥ Nástroj, nabíjačku a batériu skladujte na miestach, kde teplota neprekročí 50°C
- ⑦ Nevyhadzujte elektrické náradie a batérie do komunálneho odpadu

POUŽITIE

- Nabíjanie batérie
 - ! **prečítajte si bezpečnostné výstrahy a pokyny dodané s nabíjačkou**
- Vybratie/vloženie batérie ②
- Indikátor nabitia akumulátora ⑧
 - Stlačením tlačidla indikátora úrovne nabitia batérie M zobrazíte aktuálnu úroveň nabitia batérie ⑧a
 - ! **Keď po stlačení tlačidla M ⑧b začne blikať indikátor najnižšej úrovne nabitia batérie, znamená to, že batéria je prázdna**
 - ! **Keď začne blikať indikátor úrovni nabitia batérie 2 po stlačení tlačidla M ⑧c, znamená to, že batéria nemá povolený rozsah prevádzkových teplôt**
- LED-Kontrolka L ⑨
 - LED kontrolka sa automaticky rozsvieti po stlačení vypínača
 - ! **Keď začne LED kontrolka blikať, aktivuje sa ochrana batérie (pozri nižšie)**
- Ochrana batérie
 - Nástroj sa náhle vypína alebo sa nedá zapnúť v prípade, že
 - **záťaž je príliš vysoká** --> odstráňte záťaž a reštartujte ho
 - **batéria nemá povolený rozsah prevádzkových teplôt od -20 do +50 °C** --> indikátor úrovni nabitia batérie 2 začne po stlačení tlačidla M ⑧c blikať; počkajte, kým teplota batérie znova neklesne do povoleného prevádzkového rozsahu
 - **batéria je takmer vybitá (v záujme zaistenia ochrany pred hlbokým vybitím)** --> batéria ukazuje nízku úroveň nabitia alebo indikátor nižšej úrovne nabitia batérie ⑧b po stlačení tlačidla M blikať; batériu nabite

! **potom ako sa nástroj automaticky vypne, nestláčajte tlačidlo zapnúť/vypnúť, môže sa poškodiť batéria**

- Výmena príslušenstva ⑩
 - ! **batériu vyberajte z nástroja**
 - odmontujte/namontujte požadované príslušenstvo podľa obrázka
 - otvory na príslušenstvo musia sadnúť na výstupky na hlave nástroja (v niektorej z možných stabilných pozícií)
 - vlisovaný stred príslušenstva musí smerovať nadol
 - **skontrolujte, či je príslušenstvo nasadené pevne** (nesprávne alebo slabo pripevnené príslušenstvo sa počas používania môže uvoľniť a ohroziť bezpečnosť)
- Odsávanie prachu ⑪
 - ! **batériu vyberajte z nástroja**
 - adaptér na vysávač J používajte iba pri práci s brúsnou podložkou E
 - namontujte adaptér vysávača J podľa obrázku
 - zapnite vysávač
 - ! **zariadenie na odsávanie prachu / vysávač nepoužívajte, keď brúsíte kov**
 - adaptér vysávača J pravidelne čistite, aby dosahoval najlepšiu účinnosť odsávania prachu
- Namontovanie brúsiacich plôch ⑫
 - pred upnutím brúsneho listu oklepte prach zo suchého zipsu brúsnej podložky E
 - podľa obrázku namontujte brúsiacu plochu so suchým zipsom H
 - ! **I'ah prachu vyžaduje aby sa použili perforované brúsiace plochy**
 - ! **perforácie na brúsiacich plochách sa majú zhodovať s perforáciami na brúsiacej nohe**
 - ! **na čas vyměňte opotrebené brúsiace plochy**
 - ! **nástroj vždy používajte tak, aby celá plocha suchého zipsu bola pokrytá brusným papierom**
- Zapínanie/vypínanie
 - nástroje zapnite/vypnite posunutím prepínača C ② do polohy "I"/"O"
 - ! **predtým, ako sa príslušenstvo dostane na miesto obrábania, mal by nástroj bežať na plné otáčky**
 - ! **pred vypnutím nástroja by ste ho mali zdvihnúť z miesta obrábania**
- Nastavenie pracovnej rýchlosti ⑬
 - pomocou kolieska D je možné nastaviť požadovanú oscilačnú frekvenciu od nízkej (1) až po vysokú (6) (aj počas chodu nástroja)
 - optimálna pracovná rýchlosť závisí na materiáli a môžete ju stanoviť praktickou skúškou
- Držanie a vedenie nástroja
 - ! **počas práce vždy držte nástroj v oblasti sivého držadla (iel) ⑭**
 - vetracie štrbiny K udržujte nezakryté
 - na nástroj priveľmi netlačte (nadmerný tlak môže spôsobiť prehrievanie a môže skrátiť životnosť príslušenstva)
- Príslušenstvo pre nastavenie hĺbky (DEPTH STOP) (**nedodáva sa štandardne**) ⑮


RADA NA POUŽITIE

- Pre optimálne výsledky na rôznych materiáloch použite tabuľku ⑯ ako referenciu na určenie správneho príslušenstva (**príslušenstvo, ktoré sa nedodáva štandardne**)
- Ďalšie informácie nájdete na adrese www.skil.com

ÚDRŽBA / SERVIS

- Tento nástroj nie je vhodný pre profesionálne použitie
- Nástroj neustále udržiavajte čistý (najmä vetracie štrbiny K ②)
- ! **pred čistením vyberte akumulátor z nástroja**
- Ak by nástroj napriek starostlivej výrobe a kontrole predsa len prestal niekedy fungovať, treba dať opravu vykonať autorizovanej servisnej opravovni elektrického náradia SKIL
 - pošlite nástroj **bez rozmontovania** spolu s dôkazom o kúpe; vášmu dilerovi alebo do najbližšieho servisného strediska SKIL (zoznam adries servisných stredísk a servisný diagram nástroja sú uvedené na www.skil.com)
- Uvedomte si, že poškodenie spôsobené preťažením alebo nesprávnym zaobchádzaním bude zo záruky vylúčené (záručné podmienky spoločnosti SKIL nájdete na stránke www.skil.com alebo si ich vyžiadajte u svojho predajcu)

ŽIVOTNÉ PROSTREDIE

- **Elektrické náradie, batérie, príslušenstvo a balenia nevyhadzujte do komunálneho odpadu** (len pre štáty EÚ)
 - podľa európskej smernice 2012/19/EG o nakladaní s použitými elektrickými a elektronickými zariadeniami a zodpovedajúcich ustanovení právnych predpisov jednotlivých krajín sa použité elektrické náradie musí zbierať oddelene od ostatného odpadu a podrobiť ekologicky šetrnej recyklácii
 - pripomenie vám to symbol , keď ju bude treba likvidovať
- ! **pred likvidáciou ochráňte vývody batérie hrubou páskou, aby ste zabránili skratu**

HLUK / VIBRÁCIE

- Hladina akustického tlaku nameraná v súlade s normou EN 62841 je 86,5 dB(A) a hladina akustického výkonu je 97,5 dB(A) (neistota K = 3 dB) a vibrácie * (triakový vektorový súčet; neistota K = 1,5 m/s²)
 - * pri brúsení < 2,5 m/s²
- Hladina emisií od vibrácií bola nameraná v súlade s normalizovaným testom uvedeným v norme EN 62841; môže sa používať na vzájomné porovnávanie náradí a na predbežné posúdenie vystavenia účinkom vibrácií pri používaní náradia pre uvedené aplikácie
 - používanie náradia na rôzne aplikácie, alebo v spojení s rôznymi alebo nedostatočne udržiavanými doplnkami môže značne **zvýšiť** úroveň vystavenia
 - časové doby počas ktorých je je náradie vypnuté alebo počas ktorých náradie beží ale v skutočnosti nevykonáva prácu môžu značne **znižit** úroveň vystavenia
- ! **chráňte sa pred účinkami vibrácií tak, že budete náradie a jeho príslušenstvo správne udržiavať, tak že nebudete pracovať so studenými rukami a tak že si svoje pracovné postupy správne zorganizujete**

HR

Višenamjenski bežični uređaj 3650 bez četkica

UVOD

- Ovaj uređaj namijenjen je piljenju i rezanju drveta, plastike, žbuke, metala i mekih zidnih pločica, kao i za suho brušenje i struganje manjih površina
- Posebno je prikladan za rad uz rubove, nagibno piljenje i ubodno piljenje
- Ovaj uređaj nije namijenjen profesionalnoj upotrebi
- Ovaj alat prihvaća najčešće dostupni višenamjenski pribor, uključujući postojeći OIS i Starlock pribor ③
- Pažljivo pročitajte i sačuvajte ove upute za rukovanje ④

TEHNIČKI PODACI ①

DIJELOVI ALATA ②

- A Stezna poluga
 - B Stezni vijak s podloškom
 - C Prekidač za uključivanje/isključivanje
 - D Kotačić za odabir brzine
 - E Jastučić za pjeskarenje
 - F Segmentna oštrica pile
 - G Upuštena oštrica pile
 - H Brusnog papira
 - J Priključak usisavača prašine
 - K Otvori za struganje zraka
 - L LED lampica
 - M Pokazivač stanja napunjenosti baterije
 - N Dodatak za podešavanje dubine *
- * NIJE U STANDARDNOJ OPREMI

SIGURNOST

OPĆA SIGURNOSNA UPOZORENJA ZA ELEKTRIČNE ALATE

UPOZORENJE Pročitajte sva sigurnosna upozorenja, upute, ilustracije i specifikacije isporučene s ovim električnim alatom. Zbog nepridržavanja svih uputa koje su navedene u nastavku može doći do nastanka strujnog udara, požara i/ili teške ozljede.

Sva upozorenja i upute sačuvajte kao referencu za buduće upotrebe.

U daljnjem tekstu korišten pojam "električni alat" odnosi se na električne alate s priključkom na električnu mrežu (s mrežnim kablom) i na električne alate s napajanjem iz aku baterije (bez mrežnog kabela).

1) SIGURNOST NA RADNOM MJESTU

- Vaše radno područje održavajte čisto i uredno.** Nered ili neosvijetljeno radno područje mogu doći do nezgoda.
- S uređajem ne radite u okolini ugroženoj eksplozijom, u kojoj se nalaze zapaljive tekućine, plinovi ili prašina.** Električni alati proizvode iskre koje mogu zapaliti prašinu ili pare.
- Djecu i ostale osobe držite dalje tijekom korištenja**

- električnog alata. Ako bi skrenuli pozornost sa posla mogli bi izgubiti kontrolu nad uređajem.
- 2) ELEKTRIČNA SIGURNOST**
- a) **Priključni utikač uređaja treba odgovarati utičnici. Na utikaču se ni u kojem slučaju ne smiju izvoditi izmjene. Ne koristite adapterske utikače zajedno sa uređajima koji su zaštićeni uzemljenjem.** Originalni utikač i odgovarajuće utičnice smanjuju opasnost od električnog udara.
- b) **Izbjegavajte dodir tijela s uzemljenim površinama kao što su cijevi, centralno grijanje, štednjaci i hladnjaci.** Postoji povećana opasnost od električnog udara ako je vaše tijelo uzemljeno.
- c) **Držite uređaj dalje od kiše ili vlage.** Prodiranje vode u električni uređaj povećava opasnost od električnog udara.
- d) **Priključni kabel ne koristite za nošenje, vješanje ili za izvlačenje utikača iz utičnice. Držite kabel dalje od izvora topline, ulja, oštirih rubova ili pomičnih dijelova uređaja.** Oštećen ili usukan kabel povećava opasnost od električnog udara.
- e) **Ako s električnim uređajem radite na otvorenom, koristite samo produžni kabel odobren za uporabu na otvorenom.** Primjena produžnog kabela prikladnog za uporabu na otvorenom smanjuje opasnost od električnog udara.
- f) **Ako se ne može izbjeći uporaba električnog alata u vlažnoj okolini, upotrijebite sigurnosna sklopka za propuštanje u zemlju.** Upotrebom sigurnosne sklopke za propuštanje u zemlju smanjuje se opasnost od električnog udara.
- 3) SIGURNOST LJUDI**
- a) **Budite oprezni, pazite što činite i postupajte razumno kod rada s električnim alatom. Ne koristite uređaj ako ste umorni ili pod utjecajem opojnih sredstava, alkohola ili lijekova.** Trenutak nepažnje kod uporabe uređaja može doći do ozbiljnih ozljeda.
- b) **Nosite sredstva osobne zaštite i uvijek zaštitne naočale.** Nošenje sredstava osobne zaštite, kao što je zaštitna maska, sigurnosne cipele koje ne klize, zaštitne kacige ili štitnika za sluh, ovisno od vrste i primjene električnog alata, smanjuje opasnost od nezgoda.
- c) **Izbjegavajte nehotično puštanje u rad. Prije nego što ćete utaknuti utikač u utičnicu i/ili staviti aku-bateriju, provjerite je li električni alat isključen.** Ako kod nošenja električnog alata imate prst na prekidaču ili se uključeni uređaj priključi na električno napajanje, to može dovesti do nezgoda.
- d) **Prije nego što uređaj uključite, uklonite alate za podešavanje ili vijčane ključeve.** Alat ili ključ koji se nalazi u rotirajućem dijelu uređaja može doći do nezgoda.
- e) **Ne precijenjujte svoje sposobnosti. Zauzmite siguran i stabilan položaj tijela i držite u svakom trenutku ravnotežu.** Na taj način možete uređaj bolje kontrolirati u neočekivanim situacijama.
- f) **Nosite prikladnu odjeću. Ne nosite široku odjeću ili nakit. Kosu i odjeću držite dalje od pomičnih dijelova.** Široku odjeću, dugu kosu ili nakit mogu zahvatiti pomični dijelovi.
- g) **Ako se mogu montirati naprave za usisavanje i hvatanje prašine, provjerite da li su iste priključene i da li se pravilno koriste.** Primjena naprave za usisavanje može smanjiti ugroženost od prašine.
- h) **Nemojte postati previše bezbrižni i zanemariti sigurnosne upute zato što alat često upotrebljavate i smatrate da ste ga dobro poznali.** Samo jedan trenutak nepažnje dovoljan je za nastanak ozbiljnih ozljeda.
- 4) BRIŽLJIVA UPORABA ELEKTRIČNIH ALATA**
- a) **Ne preopterećujte uređaj. Koristite za vaše radove za to predviđeni električni alat.** S odgovarajućim električnim alatom radit ćete bolje i sigurnije, u navedenom području učinka.
- b) **Ne koristite električni alat čiji je prekidač neispravan.** Električni alat koji se više ne može uključiti ili isključiti, opasan je i treba se popraviti.
- c) **Alat prije podešavanja, izmjene pribora i odlaganja isključite iz izvora napajanja i/ili izvadite komplet baterije, ako se vadi iz uređaja.** Ovim mjerama opreza izbjeći će se nehotično uključivanje električnog alata.
- d) **Nekorištene električne alate spremite izvan doseg djece. Ne dopustite da uređaj koriste osobe koje s njim nisu upoznate ili koje nisu pročitale upute za uporabu.** Električni alati su opasni ako ih koriste neiskusne osobe.
- e) **Redovno održavajte električne alate i pribor. Kontrolirajte da li pomični dijelovi uređaja besprijekorno rade i da nisu zaglavljivi, te da li su dijelovi polomljeni ili tako oštećeni da negativno djeluju na funkciju uređaja. Popravite oštećene dijelove prije uporabe uređaja.** Mnoge nezgode imaju svoj uzrok u loše održavanim uređajima.
- f) **Rezne alate održavajte oštirim i čistim.** Pažljivo održavani rezni alati s oštirim oštricama neće se zaglaviti i lakši su za vođenje.
- g) **Koristite električne alate, pribor, radne alate, itd., prema navedenim uputama. Pri tome uzmite u obzir radne uvjete i radove koje se izvode.** Uporaba električnih alata za neke druge primjene različite od predviđenih, može doći do opasnih situacija.
- h) **Drške i zahvatne površine održavajte suhim, čistima i pazite da na njih ne dospiju ulje ili mast.** Skliske drške i zahvatne površine onemogućuju sigurno rukovanje i alat se teško kontrolira u neočekivanim situacijama.
- 5) BRIŽLJIVA UPORABA AKUMULATORSKIH UREĐAJA**
- a) **Aku-baterije punite samo s punjačima koje preporučuje proizvođač.** Punjač koji je prikladan za jednu određenu vrstu aku-baterije, postoji opasnost od požara ako bi se koristio s nekom drugom aku-baterijom.
- b) **Koristite isključivo samo aku-baterije koje su za određene električne alate predviđene.** Uporaba neke druge aku-baterije može doći do ozljeda i opasnosti od požara.
- c) **Nekorištenu aku-bateriju držite dalje od vredskih spajalica, kovanica, ključeva, čavala, vijaka ili drugih sitnih metalnih predmeta koji bi mogli prouzročiti premošćenje, kontakata.** Kratki spoj između kontakata aku-baterije može doći do opekline ili do požara.
- d) **Kod pogrešne primjene aku-baterije tekućina može iz nje istaći. Izbjegavajte dodir s ovom tekućinom. Kod slučajnog dodira s tekućinom, odmah s vodom isprati. Ako bi tekućina dospjela u oči, odmah zatražite liječničku pomoć.** Istekla tekućina može doći do nadražaja kože ili opekline.
- e) **Ne upotrebljavajte oštećene ili izmijenjene komplete baterija ni alate.** Oštećene ili izmijenjene baterije

podložne su nepredvidivom ponašanju i mogu uzrokovati požar, eksploziju ili ozljede.

- f) **Držite alat i komplet baterija dalje od vatre i visokih temperatura.** Izlaganje vatri ili temperaturi višoj od 130°C može uzrokovati eksploziju.
- g) **Poštujte sve upute za punjenje i komplet baterija i alat ne punite pri temperaturama izvan vrijednosti koje su propisane i navedene u uputama.** Nepravilno punjenje ili punjenje pri temperaturama višim od propisanih može oštetiti bateriju i povećati opasnost od požara.
- 6) **SERVISIRANJE**
- a) **Popravak uređaja prepustite samo kvalificiranom stručnom osoblju i samo s originalnim rezervnim dijelovima.** Na taj će se način postići održanje stalne sigurnosti uređaja.
- b) **Nikada ne servisirajte oštećene kompletne baterija.** Servisiranje kompleta baterija smiju obavljati isključivo proizvođači i ovlašteni serviseri.

SIGURNOSNE UPUTE ZA VIŠENAMJENSKE BEŽIČNE UREĐAJE

- **Kada izvodite neku radnju gdje rezni pribor može dotaknuti skriveno ožičenje, pridržavajte električni alat po izoliranim zahvatnim površinama** (rezni pribor u kontaktu sa žicom pod naponom može izložene metalne dijelove električnog alata također staviti pod napon, zbog čega rukovatelj može doživjeti strujni udar)
- **Koristite stezaljke ili drugi praktičan način za učvršćenje i potporu izratka na stabilnoj platformi** (držanje rada rukom ili njegovo naslanjanje na tijelo čini ga nestabilnim i može dovesti do gubitka kontrole)

OPĆENITO

- Uređaj ne bi smjele koristiti osobe mlađe od 16 godina
- Izbjegavajte oštećenja od vijaka, čavala i sličnih predmeta na vašem izratku; prije početka rada ih izvadite
- **Ne obrađujte materijal koji sadrži azbest** (azbest se smatra kancerogenim)
- Bateriju uklonite iz alata prije ugađanja ili mijenjanja alata
- Kod rada alat uvijek čvrsto držati s obje ruke i zauzeti siguran i stabilan položaj tijela
- Prašina od materijala kao što su boje koje sadrže olovo, neke vrste drveća, minerali i metal mogu biti opasne (dodir s prašinom ili njeno udisanje mogu prouzročiti alergične reakcije i/ili respiratorna oboljenja rukovatelja ili posmatrača); **nosite masku za zaštitu od prašine i radite s uređajem za ekstrakciju prašine ukoliko ga možete priključiti**
- Određene vrste prašine klasificiraju se kao karcinogenske (kao što su prašina hrastovine i bukovine), osobito u sudejstvu s aditivima za kondicioniranje drveta; **nosite masku za zaštitu od prašine i radite s uređajem za ekstrakciju prašine ukoliko ga možete priključiti**
- Nacionalni uvjeti za materijale s kojima želite raditi
- **Pri zamjeni pribora nosite zaštitne rukavice** (kontakt s priborom može dovesti do ozljeda)
- Čim se odmaknete od alata trebate ga isključiti, a pomični se dijelovi trebaju potpuno zaustaviti

PILJENJE/REZANJE

- **Držite ruke podalje od područja rezanja;** tijekom rezanja nikada ne posežite ispod materijala iz bilo kojeg razloga
- **Koristite prikladne uređaje za traženje napona kako bi se pronašli skriveni napojni vodovi ili se savjetuje**

s lokalnim distributerom (kontakt s električnim vodovima mogao bi doći do požara i električnog udara; oštećenje plinske cijevi moglo bi dovesti do eksplozije; probijanje vodovodne cijevi uzrokuje materijalne štete ili može uzrokovati električni udar)

- Ne smiju se koristiti napukli ili tupi listovi pile ili takvi koji su promijenili svoj oblik

PJESKARENJE

- **Uređaj koristite samo za suho pjeskarenje** (prodiranje vode u uređaj povećava opasnost od udara električne struje)
- Ne dirati brusni papir koji je u pokretu
- Ne koristiti više istrošene, napukle ili jako začepljene brusne papire
- Kod brušenja metala dolazi od iskrenja; ne koristite usisavač prašine, a ostale osobe kao i zapaljive materijale držite dalje od radnog područja

AKU-BATERIJE

- **Isporučena je baterija djelomično napunjena** (da biste zajamčili potpuni kapacitet baterije, bateriju u potpunosti napunite punjačem prije prve uporabe električnog alata)
- **S ovim alatom rabite samo sljedeće baterije i punjače**
 - Baterija marke SKIL: BR1*31****
 - Punjač marke SKIL: CR1*31****
- Ne rabite bateriju kada je oštećena; treba je zamijeniti
- Ne rastavljajte bateriju
- Ne izlažite kiši alat/bateriju
- Dopuštena okolišna temperatura (uređaj/punjač/baterija):
 - kod punjenja 4...40°C
 - tijekom rada -20...+50°C
 - kod skladištenja -20...+50°C

POJAŠNJENJE SIMBOLA NA UREĐAJU/BATERIJI

- ③ Ovaj alat prihvaća najčešće dostupni višenamjenski pribor, uključujući postojeći osnovni pribor marke OIS i Starlock
- ④ Prije upotrebe pročitajte korisnički priručnik
- ⑤ U dodiru s vatrom baterije će eksplodirati, stoga ne spaljujte bateriju iz bilo kojih razloga
- ⑥ Uređaj/punjač/bateriju spremajte uvijek kod temperatura prostorije nižih od 50°C
- ⑦ Ne bacajte električne alate i bateriju u kućni otpad

POSLUŽIVANJE

- Punjenje aku-baterije
! pročitajte sigurnosna upozorenja i upute isporučene s punjačem
- Uklanjanje/ugradnja baterije ②
- Pokazivač stanja napunjenosti baterije ③
 - pritisnite gumb pokazivača razine napunjenosti baterije M radi prikaza aktualne razine napunjenosti baterije ⑧a
- **! kada najniža razina baterije započne bljeskati nakon pritiska gumba M ⑧b, baterija je prazna**
- **! kada 2 razine pokazivača baterije započnu bljeskati nakon pritiska gumba M ⑧c, baterija nije unutar dopuštenog radnog temperaturnog raspona**
- LED lampica L ⑨
 - svjetlo LED automatski se pali pri aktivaciji prekidača za uključivanje/isključivanje
 - ! kada započne treperenje svjetla LED, aktivira se zaštita baterije (pogledajte ispod)**

- Zaštita baterije
Uređaj se iznenadno isključuje ili ne može uključiti, kada je
 - **opterećenje previsoko** --> uklonite opterećenje i ponovno pokrenite
 - **temperatura baterije nije unutar dopuštenog radnog temperaturnog raspona od -20 do +50 °C**
--> 2 razine pokazivača razine baterije počinju bljeskati pri pritiskanju gumba M (8); pričekajte dok se baterija ne vrati unutar dopuštenog radnog temperaturnog raspona
 - **baterija je gotovo prazna (za zaštitu od potpunog pražnjenja)** --> niska razina baterije ili bljeskajuća niska razina baterije (8)b pokazuje se putem pokazivača stanja napunjenosti baterije pri pritiskanju gumba M; napunite bateriju
 - ! **nemojte dalje pritiskati prekidač za uključivanje/isključivanje nakon što se alat automatski isključio; time možete oštetiti bateriju**
- Promjena dodatne opreme (10)
 - ! **bateriju uklonite iz alata**
 - uklonite/postavite dodatni pribor u skladu s prikazom na slici
 - otvori na dodatnom priboru moraju odgovarati jezičcima na glavi uređaja (bilo kojem položaju "sjedanja" na mjesto)
 - montirajte pribor tako da upušteni centar gleda prema dolje
 - **provjerite tijesno usjedanje pribora** (nepravilno ili nedovoljno pričvršćen pribor može se olabaviti tijekom rada i prouzročiti opasnu situaciju)
- Usisavanje prašine (11)
 - ! **bateriju uklonite iz alata**
 - upotrijebite priključak usisivača prašine J samo kad rabite jastučić za pjeskarenje E
 - priključak usisivača prašine J montirati kako je prikazano
 - priključiti usisivač
 - ! **ne koristite dodatak za prašinu/usisivač pri brušenju metala**
 - redovno čistite priključak usisivača prašine J za optimalno usisavanje
- Pričvršćenje brusnog papira (12)
 - prije montaže brusnog papira treba lupnuti po VELCRO materijalu na brusnoj ploči E
 - VELCRO brusni papir H staviti kao na ilustraciji
 - ! **za usisavanje prašine trebate perforirani brusni papir**
 - ! **rupe u perforiranom papiru trebaju se podudarati s onima za brusnu ploču**
 - ! **istrošeni brusni papir treba pravovremeno zamijeniti**
 - ! **uređaj koristite samo ako je kompletna VELCRO površina pokrivena brusnim papirom**
- Uključivanje/isključivanje
 - uređaj uključiti/isključiti pritiskom na prekidač C (2) u "I"/"O" položaj
 - ! **prije nego što pribora zareže izradak, treba se postići max. broj okretaja**
 - ! **prije isključivanja alata, isti se treba skinuti sa izratka**
- Podešavanje brzine rada (13)
 - pomoću kotačića D potrebna brzina oscilacije može se podesiti od niske (1) do visoke (6) (i dok uređaj radi)

- optimalna radna brzina ovisi o materijalu i može se utvrditi probnim radovima
- Držanje i vođenje uređaja
 - ! **alat kod primjene, držati samo na sivo označenim područjima (14)**
 - otvore za strujanje zraka K držite nepokriveno
 - ne pritišćite alat prejako (preveliki pritisak izaziva pregrijavanje i može skratiti životni vijek dodatka)
- Dodatak za podešavanje dubine (DEPTH STOP) (nije dio standardne opreme) (15)

SAVJETI ZA PRIMJENU

- Kako biste postigli zadovoljavajuće rezultate na različitim materijalima, upotrijebite tablicu (16) kako biste odabrali odgovarajući dodatak (nestandardni dodaci su uključeni)
- Više informacija navedeno je na mrežnom mjestu www.skil.com

ODRŽAVANJE / SERVISIRANJE

- Ovaj uređaj nije namijenjen profesionalnoj upotrebi
- Uvijek držite alat čistim (osobito otvore za provjetranje K (2))
 - ! **bateriju uklonite iz alata prije čišćenja**
- Ako bi uređaj unatoč brižljivih postupaka izrade i ispitivanja ipak prestao raditi, popravak treba prepustiti ovlaštenom servisu za SKIL električne alate
 - uređaj treba **nerastavljeno** predati, zajedno s računom o kupnji u najbližu SKIL ugovornu servisnu radionicu (popise servisa, kao i oznake rezervnih dijelova uređaja možete naći na adresi www.skil.com)
- Imajte na umu kako jamstvo ne obuhvaća štete nastale zbog preopterećenja ili nepravilnog rukovanja alatom (za uvjete iz SKIL jamstva, posjetite www.skil.com ili upitajte svog prodavača)

ZAŠTITA OKOLIŠA

- **Električne alate, baterij, pribor i ambalažu ne bacajte u kućni otpad** (samo za EU-države)
 - prema Europskoj direktivi 2012/19/EG o staroj električnoj i elektroničkoj opremi i njenoj primjeni u skladu sa nacionalnim zakonom, istrošeni električni alati moraju se sakupljati odvojeno i odvesti u posebne pogone za reciklažu
 - na to podsjeća simbol (7) kada se javi potreba za odlaganjem
- ! **prije nego što aku-bateriju zbrinete u otpad, zaštitite njene polove**

BUKA / VIBRACIJA

- Mjerene u skladu s normom EN 62841, razina zvučnog tlaka ovoga alata je 86,5 dB(A), razina zvučne snage 97,5 dB(A) (nesigurnost K = 3 dB), a vibracija * (troaksijalna vektorska suma; nesigurnost K = 1,5 m/s²)
 - * prilikom pjeskarenja < 2,5 m/s²
- Razina emitiranja vibracija izmjerena je sukladno normiranom testu danom u EN 62841; ona se može koristiti za usporedbu jedne alatke s drugom, te preliminarnu procjenu izloženosti vibracijama pri uporabi alatke za navedene namjene
 - uporaba ove alatke za druge namjene ili s drugim ili slabo održavanim nastavcima, može u značajnoj mjeri **uvećati** razinu izloženosti

- vrijeme tokom kojega je alatka isključena, ili je uključena ali se njome ne radi, može značajno umanjiti razinu izloženosti

! zaštitite se od posljedica vibracija održavanjem alatke i njezinih nastavaka, održavanjem Vaših ruku toplima, te organiziranjem Vaših obrazaca rada

SRB

Bežični multifunkcionalni alat 3650 bez četkica

UPUTSTVO

- Ovaj alat je namenjen za testerisanje i sečenje drveta, plastike, maltera, metala i mekih zidnih pločica, kao i za suvo brušenje i struganje manjih površina
- Posebno je namenjen za radove u ravni i blizu ivica, za probojno sečenje i isecanje
- Ovaj alat nije namenjen za profesionalnu upotrebu
- Ovaj alat prihvata većinu dostupnog višenamenskog pribora, uključujući OIS i Starlock pribor ③
- Pažljivo pročitajte i sačuvajte ova uputstva za rukovanje ④

TEHNIČKI PODACI ①

ELEMENTI ALATA ②

- A Poluga za stezanje
- B Stezni zavrtnaj sa podloškom
- C Prekidač za uključivanje/isključivanje
- D Toččić za biranje brzine
- E Brusna ploča
- F Sečivo segmentne testere
- G Sečivo ubodne testere
- H Brusni list
- J Adapter za usisivač
- K Prorezi za hlađenje
- L LED-svetlo
- M Indikator kapaciteta baterije
- N Dodatak za podešavanje dubine *

* NIJE UKLJUČENA U STANDARDNU PONUDU

SIGURNOST

OPŠTA SIGURNOSNA UPOZORENJA ZA ELEKTRIČNI ALAT

⚠ UPOZORENJE Pročitajte sva bezbednosna upozorenja, uputstva, ilustracije i specifikacije priložene uz ovaj električni alat. Ukoliko se ne slede sva uputstva navedena u nastavku može doći do strujnog udara, požara i/ili ozbiljne povrede.

Sačuvajte sva upozorenja i uputstva za buduću upotrebu.

Pojam upotrebljen u upozorenjima "električni alat" odnosi se na električne alate sa radom na mreži (sa mrežnim kablom) i na električne alate sa radom na akumulator (bez mrežnog kabla).

1) SIGURNOST NA RADNOM MESTU

- Držite Vaše područje rada čisto i pospremljeno.** Nered ili neosvetljena radna područja mogu voditi nesrećama.
- Ne koristite električni alat tamo gde postoji opasnost od eksplozije kao npr. u prisustvu zapaljivih tečnosti, gasova ili prašine.** Električni alati proizvode varnice, koje mogu zapaliti prašinu ili isparenja.
- Za vreme korišćenja električnog alata držite podalje decu i druge osobe.** Kod skretanja možete izgubiti kontrolu nad alatom.

2) ELEKTRIČNA SIGURNOST

- Utikač električnog alata mora odgovarati utičnici.** Nikada nemojte modifikovati utikač. **Ne upotrebljavajte adaptere utikača sa uzemljenim električnim alatom.** Nemodifikovani utikači i odgovarajuće utičnice smanjuju rizik od električnog udara.
- Izbegavajte telesni kontakt sa uzemljenim gornjim površinama, kao što su cevi, grejanja, šporeti i rashladni ormani.** Postoji povećani rizik od električnog udara, ako je Vaše telo uzemljeno.
- Ne izlažite električni alat kiši ili vlažnim uslovima.** Prodor vode u električni alat povećava rizik od električnog udara.
- Ne zloupotrebljavajte kabl.** Nikada nemojte koristiti kabl za nošenje i vučenje električnog alata ili za izvlačenje iz utičnice. Držite kabl dalje od vreline, ulja, oštih ivica ili pokretnih delova. Oštećeni ili umršeni kablovi povećavaju rizik električnog udara.
- Ako sa nekim električnim alatom radite u prirodi, upotrebljavajte samo produžne kablove koji su dozvoljeni za spoljno područje.** Upotreba produžnog kabla pogodnog za spoljno područje smanjuje rizik od električnog udara.
- Ako rad električnog alata ne može da se izbegne u vlažnoj okolini, koristite prekidač strujne zaštite pri kvaru.** Upotreba prekidača strujne zaštite pri kvaru smanjuje rizik od električnog udara.

3) SIGURNOST OSOBA

- Budite oprezni, pazite na to šta radite i razumno rukujte Vašim električnim alatom. Ne koristite električni alat dok ste umorni ili pod uticajem narkotika, alkohola ili lekova.** Momenat nepažnje kod upotrebe električnog alata može rezultirati ozbiljnim povredama.
- Nosite ličnu zaštitnu opremu i uvek zaštitne naočare.** Nošenje lične zaštitne opreme, kao maske za prašinu, sigurnosne cipele koje ne klizaju, zaštitni šlem ili zaštitu za sluh, zavisno od vrste i upotrebe električnog alata, smanjujete rizik od povreda.
- Sprečite nenamerno puštanje u rad. Pre priključivanja na struju i/ili na akumulatorsku bateriju, podizanja ili nošenja alata uverite se da je prekidač isključen.** Nošenje električnog alata sa prstom na prekidaču ili priključivanje na struju uključenog električnog alata vodi do nesreće.
- Uklonite bilo kakve ključeve za podešavanje ili ključeve za zavrtnjeve, pre nego što uključite električni alat.** Ostavljanje ključa za zavrtnjeve ili ključa prikačene na rotirajući deo električnog alata može rezultirati ličnom povredom.

- e) **Ne zauzimajte neadekvatan položaj. Sve vreme držite ravnotežu i pravilan položaj nogu.** Ovo omogućava bolje upravljanje električnim alatom u neočekivanim situacijama.
- f) **Nosite pogodno odelo. Ne nosite široko odelo ili nakit.** Držite kosu i odelu dalje od pokretnih delova. Opušteno odelo, nakit ili duža kosa mogu biti zahvaćeni od rotirajućih delova.
- g) **Ako se mogu montirati uredjaji za usisavanje prašine i uredjaji za hvatanje prašine, uverite se da li su priključeni i ispravno koriste.** Upotreba usisavanja prašine može smanjiti opasnosti od prašine.
- h) **Ne dozvolite da pouzdanje koje ste stekli čestom upotrebom alata utiče na to da postanete neoprezni i da zanemarite sigurnosne principe za upotrebu alata.** Neoprezno delovanje može prouzrokovati teške povrede u deliću sekunde.

4) BRIŽLJIVO OPHODJENJE I KORIŠĆENJE ELEKTRIČNIH ALATA

- a) **Ne preopterećujte električni alat. Koristite električni alat koji odgovara Vašoj primeni.** Sa odgovarajućim električnim alatom radite bolje i sigurnije tempom za koji je projektovan.
- b) **Ne upotrebljavajte električni alat, čiji je prekidač u kvaru.** Električni alat koji više ne može da se uključi ili isključi je opasan i mora da se popravi.
- c) **Izvučite utikač iz utičnice i/ili izvadite akumulatorsku bateriju, ukoliko je to moguće, iz električnog alata pre nego što izvršite bilo kakva podešavanja, promenu pribora ili pre nego što uskladištite električni alat.** Takve preventivne sigurnosne mere smanjuju rizik od slučajnog pokretanja električnog alata.
- d) **Čuvajte električne alate koje ne koristite izvan domašaja dece i ne dozvoljavajte osobama, koje nisu upoznate sa ovim električnim alatom ili sa ovim uputstvima, da rukuju električnim alatom.** U rukama neobučenih korisnika električni alati postaju opasni.
- e) **Održavajte električni alat i pribore. Proverite da li su pokretni delovi u ravni i da li negde zapinju, da nije došlo do lomljenja delova i svako drugo stanje koje može uticati na rad električnog alata. Ukoliko je oštećen, odnesite električni alat na popravku pre korišćenja.** Mnoge nesreće su prouzrokovane lošim održavanjem električnih alata.
- f) **Držite alate za sečenje oštre i čiste.** Brižljivo negovani alati za sečenje sa oštrim sečivima manje slepljuju i lakše se vode.
- g) **Upotrebljavajte električne alate, pribor, alate koji se umeću itd. prema ovim uputstvima. Obratite pažnju pritom na uputstva za rad i posao koji treba izvesti.** Upotreba električnih alata za druge od propisanih namena može voditi opasnim situacijama.
- h) **Održavajte drške i prihvatne površine suvim, čistim i bez ostataka ulja ili masnoće.** Klizave drške ili prihvatne površine ne omogućavaju bezbedno rukovanje i upravljanje alatom u neočekivanim situacijama.

5) BRIŽLJIVO OPHODJENJE I KORIŠĆENJE APARATA SA AKUMULATOROM

- a) **Punite akumulator samo u aparatima za punjenje koje propisuje proizvođač.** Za aparat za punjenje koji je pogodan za određenu vrstu akumulatora, postoji opasnost od požara, ako se upotrebljava sa drugim akumulatorom.

- b) **Upotrebljavajte samo za to predviđene akumulatore u električnim alatima.** Upotreba drugih akumulatora može voditi povredama i opasnosti od požara.
- c) **Držite ne korišćen akumulator podalje od kancelarijskih spajalica, novčića, ključeva, eksera, zavrtanja ili drugih malih metalnih predmeta koji mogu prouzrokovati premošćavanje kontakata.** Kratak spoj između kontakata akumulatora može imati za posledicu zagorevanje ili vatru.
- d) **Kod pogrešne primene može izaći tečnost iz akumulatora; izbegavajte kontakt sa njom. Kod slučajnog kontakta isperite sa vodom. Ako tečnost dodje u dodir sa očima, potražite i lekarsku pomoć dodatno.** Tečnost akumulatora koja može izaći napolje može voditi nadražajima kože ili opekotinama.
- e) **Ne koristite akumulatorsku bateriju ili alat koji je oštećen ili modifikovan.** Oštećeni ili modifikovani akumulatori se mogu ponašati nepredviđeno što može rezultirati požarom, eksplozijom ili povredom.
- f) **Ne izlažite akumulatorsku bateriju ili alat vatri ili visokim temperaturama.** Izlaganje vatri ili temperaturama iznad 130°C može prouzrokovati eksploziju.
- g) **Pridržavajte se svih uputstava u vezi sa punjenjem i ne punite akumulatorsku bateriju ili alat izvan temperaturnog opsega naznačenog u uputstvima.** Nepropisno punjenje ili punjenje na temperaturama izvan naznačenog opsega može oštetiti akumulator i povećati rizik od požara.
- 6) **SERVISIRANJE**
 - a) **Vaš električni alat dajte na servisiranje samo kvalifikovanom licu za popravku, koristeći pritom samo identične rezervne delove.** Ovo će osigurati očuvanje bezbednosti električnog alata.
 - b) **Nikada ne servisirajte oštećene akumulatorske baterije.** Servisiranje akumulatorskih baterija treba da vrši isključivo proizvođač ili ovlašćeni serviseri.

BEZBEDNOSNA UPUTSTVA ZA BEŽIČNE VIŠENAMENSKE ALATE

- **Hvatajte električni alat za izolovane hvataljke, ako izvodite radove, kod kojih pribor za sečenje može da dodirne skrivene vodove struje** (pribor za sečenje koji dođe u kontakt sa vodom koji provodi napon stavlja i metalne delove električnog alata pod napon, usled čega rukovalac može doživeti električni udar)
- **Upotrebite stezaljke ili na drugi praktičan način učvrstite i poduprite radni predmet na stabilnu platformu** (ako radni predmet držite rukom ili ga oslonite o telo, on tada nije stabilan i može doći do gubitka kontrole)

OPŠTA

- Ovaj alat ne treba da koriste osobe ispod 16 godina
- Izbegavajte oštećenja od šrafova, eksera i drugih predmeta na vašem području rada; uklonite ih pre nego što započnete rad
- **Ne obradjujte nikakav materijal koji sadrži azbest** (azbest važi kao izazivač raka)
- Uklonite bateriju iz alata pre svakog podešavanja ili promene pribora
- Prilikom rada alat treba držati sa obe ruke i zauzeti siguran stav

- Prašina od materijala, kao što su boja koja sadrži olovo, neke vrste drveta, minerali i metal, može biti opasna (dodir ili udisanje prašine može prouzrokovati alergijske reakcije i/ili respiratorna oboljenja rukovaoca i lica u blizini); **nosite masku protiv prašine i radite uz uključeni uređaj za ekstrakciju prašine kada radite na mestima gde ju je moguće priključiti**
- Određene vrste prašine su klasifikovane kao kancerogene (kao što su prašina hrastovine i bukovine), posebno u sadejstvu sa aditivima za pripremu drveta; **nosite masku protiv prašine i radite uz uključeni uređaj za ekstrakciju prašine kada radite na mestima gde ju je moguće priključiti**
- Prati nacionalne propise vezane za prašinu koja se proizvodi prilikom rada na obrađivanim materijalima
- **Koristite zaštitne rukavice prilikom zamene pribora** (kontakt sa priborom može dovesti do povređivanja)
- Kada završite rad sa alatom, isključite motor i proverite da li su se zaustavili svi pokretni delovi

PRILIKOM TESTERISANJA/SEČENJA

- **Udaljite ruke iz oblasti sečenja**; nikada i ni u kom slučaju ne posežite ispod materijala tokom sečenja
- **Koristite odgovarajuće aparate za proveru dali se u zidu koji bušimo nalaze skrivene instalacije, ili za taj posao nađite odgovarajuće preduzeće** (kontakt sa električnim vodovima može izazvati požar ili električni udar; oštećenje gasovoda može izazvati eksploziju; probijanje cevi sa vodom uzrokuje štete ili može izazvati električni udar)
- Ne koristite sečivo koje je napuklo, deformisano ili tupo

KOD BRUŠENJA I POLIRANJA

- **Alat koristite samo za suvo brušenje i poliranje** (prodiranje vode u alat povećava opasnost od električnog udara)
- Nemojte da dirate brusni papir koji je u pokretu
- Nemojte da koristite istrošen, pohaban ili veoma zapušten brusni papir
- Kod brušenja metala, dolazi do varničenja; nemojte da koristite usisivač, a ostale osobe i zapaljivi materijali treba da budu dalje od područja rada

BATERIJA

- **Baterija se isporučuje delimično napunjena** (da biste obezbedili pun kapacitet baterije, bateriju napunite do kraja u punjaču baterije pre prvog korišćenja električnog alata)
- **Koristite samo sledeće baterije i punjače sa ovim alatom**
 - SKIL baterija: BR1*31****
 - SKIL punjač: CR1*31****
- Nemojte koristiti oštećenu bateriju; treba je zameniti
- Nemojte da rastavljate bateriju
- Nemojte izlagati alat/bateriju kiši
- Dozvoljena ambijentalna temperatura (alat/punjač/ bateriju):
 - prilikom punjenja 4...40°C
 - prilikom režima rada -20...+50°C
 - prilikom skladištenja -20...+50°C

OBJAŠNJENJE SIMBOLA NA ALATU/BATERIJA

- ③ Ovaj alat prihvata većinu dostupnog višenamenskog pribora, uključujući OIS i Starlock osnovni pribor
- ④ Pročitajte uputstvo za korišćenje pre prve upotrebe
- ⑤ Baterije će eksplodirati ako se izlože vatri, zato nikada ne palite baterije
- ⑥ Odlažite alat/punjač/bateriju na mestima gde temperatura neće preći 50°C
- ⑦ Ne odlažite električne alate i baterije u kućne otpatke

UPUTSTVO ZA KORIŠĆENJE

- Punjenje baterije
 - ! **pročitajte bezbednosna upozorenja i uputstva priložena uz punjač**
- Uklanjanje/postavljanje baterije ②
- Indikator kapaciteta baterije ⑧
 - pritisnite dugme indikatora baterije M za prikaz trenutnog nivoa baterije ⑧a
 - ! **kada najniži nivo indikatora baterije počne da treperi nakon pritiska dugmeta M ⑧b, baterija je prazna**
 - ! **kada 2 nivoi indikatora baterije počnu da trepere nakon pritiska na dugme M ⑧c, baterija nije u dozvoljenom opsegu radne temperature**
- LED-svetlo L ⑨
 - LED svetlo automatski svetli kada se aktivira prekidač uključeno/isključeno
 - ! **kada LED svetlo počne da treperi, aktivira se zaštita baterije (pogledajte ispod)**
- Zaštita baterije
 - Alat se momentalno isključuje ili ne može da se uključi kada
 - je opterećenje suviše veliko --> uklonite opterećenje i ponovo pokrenite
 - temperatura baterije nije u dozvoljenom radnom opsegu temperature od -20 do +50°C --> 2 nivoi indikatora za nivo baterije počinju da trepere kada pritisnete dugme M ⑧c; sačekajte dok se baterija ne vrati u dozvoljeni temperaturni opseg
 - baterija je skoro prazna (za zaštitu od dubinskog pražnjenja) --> nizak nivo baterije ili treperenje za nizak nivo baterije ⑧b prikazuje indikator za nivo baterije kada se pritisne dugme M; napunite bateriju
 - ! **prestanite da pritisnete prekidač za uključivanje/isključivanje nakon automatskog isključivanja alata jer možete oštetiti bateriju**
- Menjanje pribora ⑩
 - ! **uklonite bateriju iz alata**
 - uklonite/montirajte potrebni pribor kao što je ilustrovano
 - neka otvori pribora obavezno zahvate pločice glave alata (u svakoj mogućoj uklopnoj poziciji)
 - montirajte pribor sa pritisnutim centrom okrenutim nadole
 - **proverite da li pribor čvrsto naleže** (nepravilno ili nebezbedno pričvršćen pribor može postati labav tokom rada i izazvati opasnost)
- Usisavanje prašine ⑪
 - ! **uklonite bateriju iz alata**
 - koristite adapter za usisivač J samo kada koristite podlogu za šmirglanje E
 - montirajte adapter za usisivač J kao što je prikazano na slici
 - priključite usisivač
 - ! **nemojte koristiti uređaj za izvlačenje prašine/ usisivač kada brusite metal**
 - redovno čistite adapter za usisavanje J da biste održali optimalne performanse za prikupljanje prašine
- Postavljanje brusnog papira ⑫
 - istresite prašinu iz VELCRO materijala na brusnoj ploči E pre nego što montirate brusni papir
 - postavite VELCRO brusni papir H kao što je prikazano na slici

! za usisavanje prašine je potreban perforiran brusni papir

! perforacija brusnog papira treba da se podudara sa perforacijom brusne ploče

! pravovremeno zamenite istrošen brusni papir

! čitava VELCRO brusna površina treba da bude prekrivena brusnim papirom svaki put kada koristite alat

- Uključivanje/isključivanje

- uključite/isključite alat pritiskajući prekidač C ② u "I"/"O" poziciju

! alat bi trebalo da radi u punoj brzini pre nego što pribor dodirne područje rada

! uređaj treba da ga podignete sa područja rada pre nego što ga isključite

- Podešavanje radne brzine ⑬

- pomoću točka D možete podesiti potrebnu frekvenciju oscilovanja od niskog (1) do visokog (6) stepena (i tokom rada alata)

- optimalna radna brzina zavisi od materijala i može se utvrditi praktičnim pokušajima

- Držanje i upravljanje alata

! dok radite, uvek držite alat za mesto(a) koje(a) su označena sivom bojom ⑭

- prorezi za hlađenje K moraju da budu otvoreni
- ne pritiskajte alat prekomerno (prekomeran pritisak izazvaće prekomernu toplotu i može skratiti radni vek dodatka)

- Dodatak za podešavanje dubine (DEPTH STOP) (ne dobija se zajedno sa alatom) ⑮

SAVETI ZA PRIMENU

- Da bi se ostvarili optimalni rezultati na različitim materijalima koristite tabelu ⑯ kao referencu za utvrđivanje pravog pribora (**pribori koji se standardno ne isporučuju**)
- Za više informacija pogledajte www.skil.com

ODRŽAVANJE / SERVIS

- Ovaj alat nije namenjen za profesionalnu upotrebu
- Alat uvek održavajte čistim (posebno otvore za hlađenje K ②)

! pre čišćenja uklonite bateriju iz alata

- Ako bi alat i pored brižljivog postupka izrade i kontrole nekada otkazao, popravku mora vršiti neki autorizovani servis za SKIL-električne alate

- pošaljite **nerastavljeni** alat zajedno sa potvrdom o kupovini vašem nabavljaču ili najbližem SKIL servisu (adrese i oznake rezervnih delova možete naći na www.skil.com)

- Imajte na umu da za oštećenja nastala usled preopterećenja ili nepravilnog rukovanja neće važiti garancija (za uslove SKIL garancije posetite www.skil.com ili pitajte svog prodavca)

ZAŠTITA OKOLINE

- **Električne alate, baterije, pribora i ambalaže ne odlažite u kućne otpatke** (samo za EU-države)
- prema Europskoj direktivi 2012/19/EG o staroj električnoj i elektronskoj opremi i njenoj upotrebi u skladu sa nacionalnim pravom, električni alati koji su istrošeni moraju biti sakupljeni odvojeno i dostavljeni pogonu za reciklažu

- simbol ⑦ će vas podsetiti na to

! da bi se izbegli kratki spojevi je baterija zaštićena debljom trakom

BUKA / VIBRACIJE

- Izmeren u skladu sa standardom EN 62841 nivo pritiska zvuka ovog alata je 86,5 dB(A) a nivo jačine zvuka 97,5 dB(A) (neizvesnost K = 3 dB), i vibracija * (troosni vektorski zbir; neizvesnost K = 1,5 m/s²)
* tokom suvo brušenja < 2,5 m/s²
- Nivo emisije vibracija izmeren je u skladu sa standardizovanim testom datim u EN 62841; on se može koristiti za upoređenje jedne alatke sa drugom, kao i za preliminarnu procenu izloženosti vibracijama pri korišćenju ove alatke za pomenute namene
- korišćenje alatke u drugačije svrhe ili sa drugačijim ili slabo održavanim nastavcima može značajno **povećati** nivo izloženosti
- vreme kada je alatka isključena ili kada je uključena, ali se njome ne radi, može značajno **smanjiti** nivo izloženosti
! **zaštitite se od posledica vibracija održavanjem alatke i njenih nastavaka, održavajući Vaše ruke toplim i organizovanjem Vaših radnih obrazaca**

(SLO)

Brezkrtačno akumulatorsko 3650 večnamensko orodje

UVOD

- To orodje je namenjeno žaganju ter rezanju lesa, plastike, mavca, kovin in mehkih stenskih plošic in za suho brušenje in strganje majhnih površin
- Še posebej je primerno za dela blizu robov, potopno rezanje in dela, ki so poravnana z robom
- Orodje ni namenjeno profesionalni uporabi
- To orodje omogoča uporabo običajne opreme za večnamenska orodja, vključno z obstoječo opremo za orodja OIS in Starlock ③
- Preberite in shranite navodila za uporabo ④

TEHNIČNI PODATKI ①

DELI ORODJA ②

- A Pritrdilna ročica
 - B Spojni vijak s tesnilom
 - C Stikalo vklopi/izklopi
 - D Kolesce za izbiro hitrosti
 - E Brusilna plošča
 - F Segmentni žagin list
 - G Žagin list za potopne reze
 - H Brusni papir
 - J Adapter za sesalnik
 - K Ventilacijske reže
 - L Dioda LED
 - M Indikator stanja akumulatorja
 - N Pripomoček za nastavitve globine *
- * NI DEL STANDARNE OPREME

VARNOST

SPLOŠNA VARNOSTNA OPOZORILA ZA ELEKTRIČNA ORODJA

⚠ OPOZORILO Preberite vsa varnostna opozorila, navodila in tehnične podatke ter si oglejte slike, ki so priloženi temu električnemu orodju. Neupoštevanje spodaj navedenih navodil se lahko odrazi v električnem udaru, požaru in/ali hudih poškodbah.

Vsa opozorila in navodila shranite, saj jih boste v prihodnosti morda potrebovali.

Pojem "električno orodje", ki se pojavlja v nadaljnjem besedilu, se nanaša na električna orodja z električnim pogonom (z električnim kablom) in na akumulatorska električna orodja (brez električnega kabla).

1) VARNOST NA DELOVNEM MESTU

- a) **Poskrbite, da bo Vaše delovno mesto vedno čisto in urejeno.** Nered ali neosvetljena delovna področja lahko povzročijo nezgode.
- b) **Prosimo, da orodja ne uporabljate v okolju, kjer je nevarnost za eksplozije in v katerem se nahajajo gorljive tekočine, plini in prah.** Električna orodja povzročajo iskre, zato se gorljivi prah ali pare lahko vnamejo.
- c) **Ne dovolite otrokom in drugim osebam, da bi se medtem ko delate, približali električnemu orodju.** Druge osebe lahko odvrnejo Vašo pozornost drugam in izgubili boste nadzor nad orodje.

2) ELEKTRIČNA VARNOST

- a) **Vtič mora ustrezati električni vtičnici in ga pod nobenim pogojem ne smete spreminjati.** Uporaba adapterskih vtičev v kombinaciji z ozemljena orodja ni dovoljena. Originalni oziroma nespremenjeni vtiči in ustrezne vtičnice zmanjšujejo tveganje električnega udara.
- b) **Izogibajte se telesnemu stiku z ozemljenimi površinami, na primer s cevmi, grelci, štedilniki in hladilniki.** Če je ozemljeno tudi vaše telo, obstaja povečano tveganje električnega udara.
- c) **Zavarujte orodje pred dežjem ali vlago.** Vdor vode v električno orodje povečuje tveganje električnega udara.
- d) **Električnega kabla ne uporabljajte za prenašanje ali obešanje orodja in ne vlecite vtiči iz vtičnice tako, da vlečete za kabel.** Zavarujte kabel pred vročino, oljem, ostrimi robovi in premikajočimi se deli orodja. Poškodovani ali prepleteni kabli povečujejo tveganje električnega udara.
- e) **Če z električnim orodjem delate na prostem, uporabljajte izključno kabelski podaljšek, ki je atestiran za delo na prostem.** Uporaba kabelskega podaljška, primerne za delo na prostem, zmanjšuje tveganje električnega udara.
- f) **Če je uporaba električnega orodja v vlažnem okolju neizogibna, uporabljajte prekinjevalec električnega tokokroga.** Prekinjevalec električnega tokokroga zmanjšuje tveganje električnega udara.

3) OSEBNA VARNOST

- a) **Bodite zbrani in pazite, kaj delate.** Dela z električnim orodjem se lotite razumno. Nikoli ne uporabljajte

orodja, če ste utrujeni in če ste pod vplivom mamil, alkohola ali zdravil. En sam trenutek nepazljivosti pri uporabi orodja ima lahko za posledico resne telesne poškodbe.

- b) **Uporabljajte osebna zaščitna sredstva in vedno nosite zaščitna očala.** Uporaba osebnih zaščitnih sredstev, na primer maske proti prahu, nedrsečih zaščitnih čevljev, zaščitne čelade in glušnikov, odvisno od vrste in uporabe električnega orodja, zmanjšuje tveganje telesnih poškodb.
 - c) **Izogibajte se nenamernemu zagonu. Pred priključitvijo električnega orodja na električno omrežje in/ali na akumulator in pred dviganjem ali nošenjem se prepričajte, če je električno orodje izklopljeno.** Prenašanje naprave s prstom na stikalo ali priključitev vklopljenega električnega orodja na električno omrežje je lahko vzrok za nezgodo.
 - d) **Pred vklopom orodja odstranite z nje nastavitvena orodja ali vijačni ključ.** Orodje ali ključ, ki se nahajata na vrtečem se delu električnega orodja, lahko povzročita nezgodo.
 - e) **Ne precenjujte se in poskrbite za varno stojišče in stalno ravnotežje.** Tako boste lahko v nepričakovani situaciji bolje obvladali orodje.
 - f) **Oblecite se primerno. Ne nosite ohlapnih oblačil ali nakita. Las in oblačil ne približujte premikajočim se delom.** Ohlapna oblačila, nakit ali dolgi lasje se lahko ujamejo v premikajoče se dele.
 - g) **Če je možno na orodje namestiti priprave za odsesavanje in prestrežanje prahu, pričarajte se, ali so le-te priključene in, če jih pravilno uporabljate.** Uporaba priprave za odsesavanje prahu zmanjšuje zdravstveno ogroženost zaradi prahu.
 - h) **Naj seznanjenost z orodjem, ki jo pridobite s pogosto uporabo, ne bo razlog za to, da postanete lahkomišeln in ignorirate varnostna načela.** V deliču sekunde lahko nepozorno dejanje pripelje do hude poškodbe.
- ### 4) RAVNANJE IN NEGA ROČNEGA ORODJA
- a) **Ne preobremenjujte orodja. Za določeno delo uporabljajte električno orodje, ki je predvideno za opravljanje tega dela.** Z ustreznim električnim orodjem boste delo opravili bolje in varneje, ker je bilo v ta namen tudi konstruirano.
 - b) **Električno orodje, ki ima pokvarjeno stikalo, ne uporabljajte.** Električno orodje, ki ga ni možno vklopiti ali izklopiti, je nevarno in ga je potrebno popraviti.
 - c) **Izvlcite vtiči iz vtičnice in/ali odstranite akumulatorsko baterijo, če jo je mogoče izvzeti, še preden orodje popravljate, menjujete pribor ali ga shranite.** Ti preventivni varnostni ukrepi zmanjšajo tveganje za nenamenski zagon orodja.
 - d) **Kadar orodja ne uporabljate ga shranjujte izven dosega otrok.** Osebam, ki orodja ne poznajo ali niso prebrale teh navodil, orodja ne dovolite uporabljati. Električna orodja so nevarna, če jih uporabljajo neizkušene osebe.
 - e) **Vzdržujte električna orodja in pribor.** Preverite, če premikajoči se deli orodja delujejo brezhibno in če se ne zatikajo, oziroma, če kakšen del orodja ni zlomljen ali poškodovan do te mere, da bi oviral njegovo delovanje. Pred nadaljnjo uporabo je potrebno poškodovani del popraviti. Vzrok za številne

- nezgode so ravno slabo vzdrževana električna orodja.
- f) **Rezalna orodja naj bodo ostra in čista.** Skrbno negovana rezalna orodja z ostrimi rezili se manj zatikajo in so boljje vodljiva.
- g) **Električna orodja, pribor, nastavke in podobno uporabljajte v skladu s temi navodili. Pri tem upoštevajte delovne pogoje in vrsto dela, ki ga nameravate opraviti.** Zaradi uporabe električnega orodja v druge, nepredvidene namene, lahko nastanejo nevarne situacije.
- h) **Ročaji in površine za prijetanje naj bodo suhe, čiste in brez olja ali maščobe.** Gladki ročaji in površine za prijetanje ne omogočajo varne uporabe in nadzora orodja v nepričakovanih situacijah.
- 5) **SKRBNO RAVNANJE Z AKUMULATORSKIMI NAPRAVAMI IN NJIHOVA UPORABA**
- a) **Prosimo, da akumulatorske baterije polnite samo v polnilnikih, ki jih priporoča proizvajalec.** Na polnilniku, predvidenem za polnjenje določene vrste akumulatorskih baterij, lahko pride do požara, če ga uporabljate za polnjenje drugih vrst akumulatorskih baterij.
- b) **Za pogon akumulatorskih orodij uporabljajte samo zanje predvidene akumulatorske baterije.** Uporaba drugačnih akumulatorskih baterij lahko povzroči telesne poškodbe ali požar.
- c) **Kadar akumulatorska baterija ni v orodju, pazite, da ne pride v stik s kovinskimi predmeti kot so pisarniške sponke, kovanci, ključi, žebli, vijaki ali ostalimi kovinskimi predmeti, ki bi lahko povzročili stik med obema poloma akumulatorja.** Kratek stik med kontakti akumulatorske baterije lahko povzroči opekline ali požar.
- d) **Pri napačni uporabi lahko iz akumulatorske baterije priteče tekočina. Izogibajte se stiku z njo. V primeru naključnega stika prizadeto mesto spirajte z vodo. Če pride akumulatorska tekočina v oči, po spiranju poiščite tudi zdravniško pomoč.** Iztekanje tekočine iz akumulatorja lahko povzroči draženje kože ali opekline.
- e) **Ne uporabljajte poškodovanih ali prilagojenih akumulatorskih baterij oz. orodij.** Poškodovane ali prilagojene akumulatorske baterije se lahko nepredvidljivo obnašajo, kar lahko povzroči požar, eksplozijo ali tveganje za poškodbe.
- f) **Akumulatorske baterije ali orodja ne izpostavljajte ognju ali previsoki temperaturi.** Izpostavljenost ognju ali vročini nad 130°C lahko povzroči eksplozijo.
- g) **Upoštevajte navodila za polnjenje in ne polnite akumulatorske baterije ali orodja pri temperaturi, ki je izven območja, navedenega v navodilih.** Če orodje polnite na nepravilen način ali pri temperaturah, ki so izven določenega območja, lahko pride do poškodb akumulatorske baterije, kar poveča tveganje za požar.
- 6) **SERVISIRANJE**
- a) **Popravilo orodja lahko opravi samo usposobljena strokovna oseba in to izključno z originalnimi nadomestnimi deli.** Le tako bo ohranjena nadaljnja varnost orodja.
- b) **Nikdar ne popravljajte poškodovanih akumulatorskih baterij.** Akumulatorske baterije naj popravlja le proizvajalec ali pooblaščen servisier.

VARNOSTNA NAVODILA ZA AKUMULATORSKA VEČNAMENSKA ORODJA

- **Če izvajate dela, pri katerih bi se lahko z orodjem za rezanje dotaknili skrite omrežne napeljave, držite električno orodje samo za izolirane ročaje** (stik orodja za rezanje z napeljavo, ki je pod napetostjo, lahko povzroči, da so tudi kovinski deli orodja pod napetostjo, kar lahko povzroči električni udar za upravljavca)
- **Obdelovanec zavarujte in pridrite s sponami ali drugo opremo** (če obdelovanec držite z rokami ali proti telesu, bo nestabilen in lahko izgubite nadzor nad orodjem)

SPLOŠNO

- Orodja naj ne bi uporabljale osebe mlajše od 16 let
- Izogibajte se poškodb zaradi vijakov, žebeljev ali drugih elementov v obdelovancu; odstranite jih pred začetkom dela
- **Ne obdelujte materiala, ki vsebuje azbest** (azbest povzroča rakasta obolenja)
- Preden orodje kakor koli prilagajate ali zamenjate pribor, z orodja odstranite akumulator
- Med delom čvrsto držite orodje z obema rokama in si zagotovite stabilno in varno pozicijo
- Prah materialov, kot so barve, ki vsebujejo svinec, nekatere vrste lesa, mineralov ali kovin so lahko škodljivi (ob stiku ali vdihavanju lahko prah pri delavcu ali pri drugih prisotnih povzroči alergijsko reakcijo in/ali boleznih dihal); **nosite masko za prah in pri delu uporabljajte napravo za odsesavanje prahu, kjer je le-to možno priključiti**
- Nekatero vrsto prahu so klasificirane kot kancerogene (kot npr. prah hrasta in bukke) še posebno ob sočasni uporabi z dodatki za obdelavo lesa; **nosite masko za prah in pri delu uporabljajte napravo za odsesavanje prahu, kjer je le-to možno priključiti**
- Upoštevajte nacionalne zahteve glede prahu za materiale katere želite obdelovati
- **Pri menjavanju priključkov nosite zaščitne rokavice** (stik s priključkom lahko povzroči poškodbe)
- Ko orodje postavite vstran, izklopite motor in pazite, da se vsi premikajoči se deli orodja popolnoma zaustavijo

MED ŽAGANJEM/REZANJEM

- **Ne segajte z rokami v področje rezanja;** med rezanjem nikoli ne segajte pod material
- **Za iskanje skritih električnih, plinskih in vodovodnih cevi uporabite primerne iskalne naprave (detektorje) ali se posvetujte z lokalnimi podjetji** (stik z električnimi vodniki lahko povzroči požar ali električni udar; poškodbe plinovoda lahko povzročijo eksplozijo, vdor v vodovodno omrežje pa materialno škodo ali električni udar)
- Ne uporabljajte poškodovanih, deformiranih ali topih žaginih listov

MED BRUŠENJEM

- **Orodje uporabite izključno za suho brušenje** (vdor vode v orodje poveča tveganje za električni udar)
- Ne dotikajte se premikajoče se brusnega papirja
- Ne uporabljajte izrabljenih in raztrganih brusnih papirjev, ki so že močno grudasti
- Pri brušenju kovinskih delov se iskri; ne uporabljajte sesalnika z delovnega področja odstranite vnetljive materiale in ne dovolite, da se področju dela približujejo druge osebe

AKUMULATORJI

- **Priloženi akumulator je delno napolnjen** (če želite zagotoviti polno zmogljivost akumulatorja, ga pred prvo uporabo popolnoma napolnite s polnilnikom za akumulator)

- **S tem orodjem lahko uporabljate samo te akumulatorje in polnilnike**
 - Akumulator SKIL: BR1*31****
 - Polnilnik SKIL: CR1*31****
- Ne uporabljajte poškodovanega akumulatorja, ampak ga zamenjajte
- Akumulatorja ne razstavljajte
- Orodja/akumulatorja ne izpostavljajte dežju
- Dovoljena temperatura okolice (orodje/polnillec/akumulator):
 - pri polnjenju 4...40°C
 - pri delu -20...+50°C
 - pri skladiščenju -20...+50°C

POJASNILO OZNAK NA ORODJU/BATERIJI

- ③ To orodje omogoča uporabo običajne opreme za večnamenska orodja, vključno z obstoječo osnovno opremo za orodja OLS in Starlock
- ④ Pred uporabo preberite navodila za uporabo
- ⑤ Baterije lahko pri izpostavljanju odprtemu ognju eksplodirajo, zato jih nikoli ne sežigajte
- ⑥ Shranjujte orodje, polnillec in akumulator v prostoru, kjer temperatura ne bo preseгла 50°C
- ⑦ Ne odstranjujte električnega orodja in baterije s hišnimi odpadki

UPORABA

- Polnjenje akumulatorja
 - ! **Preberite varnostna opozorila in navodila, priložena polnilniku**
- Odstranitev/namestitev akumulatorja ②
- Indikator stanja akumulatorja ③
 - pritisnite gumb indikatorja ravnih napoljenosti akumulatorja M, da prikažete trenutno raven napoljenosti akumulatorja ③a
 - ! **ko začne utripati najnižja raven indikatorja akumulatorja po pritisku gumba M ③b, je akumulator prazen**
 - ! **ko začnejo utripati ravnih 2 indikatorja akumulatorja po pritisku gumba M ③c, akumulator ni v dovoljenem razponu delovne temperature**
- Dioda LED L ④
 - LED-lučka se ob aktiviranju stikala za vklop/izklop samodejno vklopi
 - ! **ko LED-lučka začne utripati, je zaščita akumulatorja aktivirana (glejte spodaj)**
- Zaščita akumulatorja
 - Orodje se nenadoma izklopi ali pa ga ni mogoče vklopiti, kadar
 - **previsoka obremenitev** --> odstranite obremenitev in zaženite znova
 - **temperatura baterije ni v dovoljenem razponu delovne temperature od -20 do +50 °C** --> 2 ravnih indikatorja napoljenosti akumulatorja začnejo utripati, ko pritisnete gumb M ③c; počakajte, da se akumulator vrne v dovoljeni razpon delovne temperature
 - **akumulator je skoraj prazen (zaščitite ga pred popolno izpraznitvijo)** --> indikator napoljenosti akumulatorja prikaže nizko raven napoljenosti akumulatorja ali utripajočo nizko raven napoljenosti akumulatorja ③b, ko pritisnete gumb M; napolnite akumulator
 - ! **po samodejnem izklopu ne pritiskajte stikala za vklop/izklop; baterija se lahko poškoduje**

- Zamenjava dodatne opreme ⑩
 - ! **z orodja odstranite akumulator**
 - odstranite/namestite zahtevan priključek, kot je prikazano na sliki
 - zagotovite, da odprte priključka zaskočijo z jezički glave orodja (možni so vsi vpeti položaji)
 - priključek namestite z nepritrjenim središčem navzdol
 - **preverite pričvrščenost priključka** (neustrezno ali površno nameščeni priključki se lahko med delovanjem odklopijo in povzročijo nevarnost)
- Odsesavanje prahu ⑪
 - ! **z orodja odstranite akumulator**
 - adapter za sesalnik J uporabite le pri delu z brusilno ploščo E
 - namestite adapter za sesalnik J, kot je prikazano
 - priključite sesalnik
 - ! **naprave za odpraševanje / vakuumskega čistilnika ne uporabljajte med brušenjem kovine**
 - redno čistite adapter za sesalnik, J da zagotovite optimalno sesanje prahu
- Namestitev brusnega papirja ⑫
 - pred namestitvijo brusilnega lista izprašite material VELCRO na brusilni plošči E
 - namestite brusni papir VELCRO H, kot kaže slika
 - ! **za sesanje prahu potrebujete perforiran brusni papir**
 - ! **perforirani deli na brusnem papirju bi se morali ujemati s perforiranimi deli na brusni plošči**
 - ! **pravočasno zamenjajte brusne papirje**
 - ! **površina iz materiala VELCRO naj bo med vsako uporabo orodja prekrita z brusilnim papirjem**
- Vklop/izklop
 - vklopite/izklopite orodje s premikom stikala C ② v položaj "I"/"O"
 - ! **preden pribor doseže obdelovanec naj orodje doseže polno hitrost**
 - ! **preden orodje izklopite, bi ga morali odmakniti od predmeta, ki ga obdelujete**
- Nastavljanje delovne hitrosti ⑬
 - s kolescem D je mogoče zahtevano nihajno frekvenco nastaviti med nizko (1) in visoko (6) (tudi med delovanjem orodja)
 - najprimernejša delovna hitrost je odvisna od materiala in jo lahko določimo s praktičnim poskušanjem
- Držanje in vodenje orodja
 - ! **med delom vedno držite orodje za sivo obarvano mesto oprijema ⑭**
 - ventilacijske reže K morajo biti nepokrite
 - ne pritiskajte premočno na orodje (premočan pritisk povzroči prekomerno segrevanje in lahko skrajša življenjsko dobo pripomočka)
- Pripomoček za nastavitve globine (DEPTH STOP) (ni vključena v standardno opremo) ⑮

UPORABNI NASVETI

- Za optimalne rezultate na različnih materialih glejte tabelo ⑯, ki naj vam služi kot referenca pri izbiri pravega dodatka (**dodatki običajno niso priloženi**)
- Za več informacij obiščite spletno stran www.skil.com

VZDRŽEVANJE/SERVISIRANJE

- Orodje ni namenjeno profesionalni uporabi

- Orodje naj bo vedno čisto (še posebej prezračevalne odprtine K ②)
- **! pred čiščenjem odstranite akumulator iz orodja**
- Če bi kljub skrbnima postopkoma izdelave in preizkušanja prišlo do izpada delovanja orodja, naj popravilo opravi servisna delavnica, pooblaščen za popravila SKILevih električnih orodij
 - pošljite **nerazstavljeno** orodje skupaj s potrdilom o nakupu pri vašemu prodajalcu v najbližjo SKIL servisno delavnico (naslovi, kot tudi spisek rezervnih delov se nahaja na www.skil.com)
- Zavedajte se, da garancija ne vključuje poškodb zaradi preobremenitve orodja ali nepravilne rabe (glede SKILovih garancijskih pogojev obiščite www.skil.com ali povprašajte prodajalca)

OKOLJE

- **Električnega orodja, baterije, pribora in embalaže ne odstranjujete s hišnimi odpadki** (samo za države EU)
 - v skladu z Evropsko direktivo 2012/19/EG o odpadnih električni in elektronski opremi in z njenim izvajanjem v nacionalni zakonodaji je treba električna orodja ob koncu njihove življenjske dobe ločeno zbirati in jih predati v postopek okolju prijaznega recikliranja
 - ko je potrebno odstranjevanje, naj vas o načinu spomni simbol ⑦
- **! preden akumulator zavržete, prilepite kontakte z debelejšim izolirnim trakom, da preprečite kratak stik**

HRUP / VIBRACIJA

- Raven zvočnega tlaka tega orodja, ki je bila izmerjena v skladu s standardom EN 62841, je 86,5 dB(A), raven zvočne moči je 97,5 dB(A) (odstopanje K = 3 dB), skupne vrednosti vibracij * (triosna vektorska vsota; odstopanje K = 1,5 m/s²)
 - * med brušenjem < 2,5 m/s²
- Raven oddajanja vibracij je bila izmerjena v skladu s standardiziranimi testi, navedenimi v EN 62841; uporabiti jo je mogoče za primerjavo različnih orodij med seboj in za predhodno primerjavo izpostavljenosti vibracijam pri uporabi orodja za namene, ki so omenjeni
 - uporaba orodja za drugačne namene ali uporaba skupaj z drugimi, slabo vzdrževanimi nastavki lahko znatno **poveča** raven izpostavljenosti
 - čas, ko je orodje izklopljeno ali ko teče, vendar z njim ne delamo, lahko znatno **zmanjša** raven izpostavljenosti
- **! pred posledicami vibracij se zaščitite z vzdrževanjem orodja in pripadajočih nastavkov, ter tako, da so vaše roke tople, vaši delovni vzorci pa organizirani**

EST

Harjadeta ja juhtmeta 3650 mitmeotstarbeline tööriist

SISSEJUHATUS

- See tööriist on mõeldud puust, plastist, ehituskipsist, metallist detailide ja pehmest materjalist seinapaneeleide lõikamiseks ja väikeste pindade lihvimiseks ja kaabitsaga töötlemiseks

- Seade sobib eelkõige servalähedaseks ja süvendite lõikamiseks ning pinnaga ühetasaseks lõikamiseks
- Tööriist pole mõeldud professionaalseks kasutamiseks
- Käesolev tööriist ühildub enamike saadaolevate mitmeotstarbeliste tarvikutega, sh olemasolevate OIS ja Starlock tarvikutega ③
- Palun lugege käesolev kasutusjuhend hoolikalt läbi ja hoidke alles ④

TEHNILISED ANDMED ①

SEADME OSAD ②

- A Kinnitushoob
 - B Kruviklamber seibiga
 - C Tööüliti (sisse/välja)
 - D Kiiruse regulaator
 - E Lihvpaber
 - F Segmenttera
 - G Süvendite saetera
 - H Lihvpaber
 - J Tolmuimejaadapteri
 - K Õhutusavad
 - L LED-märgutuli
 - M Aku laetuse astme indikaator
 - N Sügavuse reguleerimise tarvik *
- * EI KUULU STANDARDKOMPLEKTI

OHUTUS

ÜLDISED OHUTUSNÕUDED ELEKTRILISTE TÖÖRIISTADE KASUTAMISEL

⚠ HOIATUS Lugege kõiki hoiatusi, juhiseid, kirjeldusi ja spetsifikatsioone, mis käivad tööriistaga kaasas. Kui kõiki allpool loetletud juhiseid ei õnnestu järgida, võite saada elektrilöögi, võib tekkida tulekahju ja/või saada raskelt vigastada.

Hoidke kõik ohutusnõuded ja juhised edaspidiseks alles.

Allpool kasutatud mõiste "elektriline tööriist" käib võrgutoitega (toitejuhtmega) elektriliste tööriistade ja akutoitega (ilma toitejuhtmata) elektriliste tööriistade kohta.

1) OHUTUSNÕUDED TÖÖPIIRKONNAS

- a) **Hoidke töökoht puhas ja korras.** Segadus või valgustamata tööpiirkonnad võivad põhjustada õnnetusi.
- b) **Ärge kasutage seadet plahvatusohtlikus keskkonnas, kus leidub tuleohtlikke vedelikke, gaase või tolmu.** Elektrilistest tööriistadest lööb sädemed, mis võivad tolmu või auru süüdata.
- c) **Kui kasutate elektrilist tööriista, hoidke lapsed ja teised isikud töökohast eemal.** Kui Teie tähelepanu kõrvale juhitakse, võib seade Teie kontrolli alt väljuda.

2) ELEKTRIOHUTUS

- a) **Seadme pistik peab pistikupessa sobima. Pistikut kallal ei tohi teha mingeid muudatusi. Ärge kasutage kaitsemaandusega seadmete puhul adapterpistikuid.** Muutmata pistikud ja sobivad pistikupesad vähendavad elektrilöögi saamise riski.
- b) **Vältige kehakontakti maandatud pindadega, nagu**

- g) **Järgige kõiki laadimisjuhiseid ja ärge laadige akut väljaspool juhistes määratletud temperatuurivahemikku.** Nõuetele mittevastav laadimine või laadimine väljaspool ettenähtud temperatuurivahemikku võib akut kahjustada ja suurendada tulekahju ohtu.
- 6) **TEENIDUS**
- a) **Laske seadet parandada ainult kvalifitseeritud spetsialistidel ja ainult originaalvaruosadega.** Nii tagate seadme püsimise turvalisena.
- b) **Ärge kunagi käidelda kahjustada saanud akusid.** Akusid võivad käidelda vaid tootja esindajad või volitatud hooldekeskuse töötajad.

JUHTMETA MITMEOTSTARBELISTE TÕÕRIISTADE OHUTUSJUHISED

- **Hoidke elektritööriista kinni isoleeritud haardepinnast, kui lõiketarvik võib töötamise ajal puutuda kokku peidetud juhtmega** (lõiketarviku pingestatud osaga kokkupuute korral võivad elektrilise tööriista metallosad pingestuda ja anda operaatorile elektrilöögi)
- **Kinnitage toorik klambriga või muul praktilisel moel kindlale stabiilsele alusele** (tööd käes hoides või vastu keha surudes võib see paigast liikuda)

ÜLDIST

- Tööriista kasutaja peab olema vähemalt 16 aastat vana
- Väلتige töödeldavas esemes olevatest kruvidest, naeltest vms põhjustatud kahjustusi; eemaldage need enne töö alustamist
- **Asbestisialdava materjali töötlemine on keelatud** (asbest võib tekitada vähki)
- Enne tööriista reguleerimist või tarvikute vahetust võtke aku välja
- Hoidke seadet alati kindlalt kahe käega ja võtke stabiilne tööasend
- Värviga kaetud juhtmed, mõned puiduliigid, mineraalid ja metall eraldavad tolmu, mis võib olla kahjulik (kokkupuude tolmuaga või selle sissehingamine võib seadme kasutajal või läheduses viibivatel inimestel põhjustada allergilisi reaktsioone ja/või hingamisteede haigusi); **kandke tolmumaski ja vajaduse korral töötage külgeühendatava tolmueemaldusseadmega**
- Teatud tüüpi tolm on klassifitseeritud kantserogeensena (nt tammest ja kasest eralduv tolm), eriti koos puudu niiskuse reguleerimiseks kasutatavate lisanditega; **kandke tolmumaski ja vajaduse korral töötage külgeühendatava tolmueemaldusseadmega**
- Erinevate materjalide töötlemisel tekkiava tolmu käitlemisel tuleb järgida kehtivaid nõudeid
- **Kasutage kaitsekindaid, kui vahetate lisatarvikuid** (kokkupuude lisatarvikuga võib põhjustada vigastusi)
- Enne tööriista juurest lahkumist lülitage see välja ning oodake, kuni selle liikuvad osad on täielikult seiskunud

SAAGIMISEL/LÕIKAMISEL

- **Hoidke käed lõikepiirkonnast eemal;** ärge pange sõrmi lõikamise ajal kunagi materjali alla
- **Varjatult paiknevate elektrijuhtmete, gaasi- või veetorude avastamiseks kasutage sobivaid otsimisseadmeid või pöördeuge kohaliku elektri-, gaasi- või vee-ettevõtte poole** (kokkupuutel elektrijuhtmetega tulekahju- ja elektrilöögioht; gaasitorustiku vigastamiseks plahvatusoht; veetorustiku vigastamisel materiaalne kahju või elektrilöögioht)

- Keelatud on kasutada rebenened või nürisid, samuti deformeerunud saelehti

LIHVIMISEL

- **Kasutage tööriista ainult kuivlihvimiseks** (vee pääsemine seadmesse suurendab elektrilöögi ohtu)
- Väلتige kokkupuudet liikuva lihvpaberiga
- Ärge kasutage ülemäärast kulunud, rebenened või muul viisil vigastatud lihvpabereid
- Metallide lihvimisel lendub sädemeid; ärge kasutage tolmumeijat ning jälgige, et läheduses ei oleks teisi inimesi ega tuleohtlikke materjale

AKUD

- **Kaasasolev aku on osaliselt laetud** (aku täisjõudluse tagamiseks laadige aku enne elektrilise tööriista esimest kasutamist akulaadijas korralikult täis)
- **Kasutage selle tööriistaga ainult järgmiste akusid ja laadijaid**
 - SKILi aku: BR1*31****
 - SKILi laadija: CR1*31****
- Ärge kasutage kahjustatud akusid, vaid vahetage need välja
- Ärge võtke akut lahti
- Ärge jätke tööriista/akut vihma kätte
- Ümbritseva keskkonna lubatud temperatuur (tööriista/laadijat/akut):
 - laadimisel 4...40°C
 - töötamisel -20...+50°C
 - säilitamisel -20...+50°C

TÕÕRIISTAL/AKUL OLEVATE SÜMBOLITE SELGITUS

- 3 Käesolev tööriist ühildub enamiku saadaolevate mitmeotstarbeliste tarvikute, sh olemasolevate OISi ja Starlocki põhitarvikutega
- 4 Enne kasutamist tutvuge kasutusjuhendiga
- 5 Tulle visatud akud plahvatavad, seepärast ei tohi akut mingil põhjusel põletada
- 6 Hoidke tööriista/laadijat/akut toatemperatuuril vahemikus 0° kuni 50°C
- 7 Ärge visake kasutuskõlbatuks muutunud elektrilisi tööriistu ja patareisid ära koos olmejäätmetega

KASUTAMINE

- Aku laadimine
- **! lugege laadijaga kaasasolevaid ohutushoiatusi ja juhiseid**
- Aku eemaldamine/paigaldamine ②
- Aku laetuse astme näidik ⑧
 - vajutage aku täitetaseme nuppu M, et näidata praegune aku täitetaseme ⑧a
- **! kui aku laetuse indikaatori madalaim tase hakkab vilkuma, vajutades nupuke M ⑧b, on aku tühi**
- **! kui 2 tasemed aku laetuse indikaatoril hakkavad vilkuma, vajutades nupule M ⑧c, ei ole aku selle lubatud töötemperatuuril vahemikus**
- LED-märgutuli L ⑨
 - LED-märgutuli süttib automaatselt tööüliti (sisse/välja) rakendamisel
 - ! kui LED-märgutuli hakkab vilkuma, on aku kaitse rakendatud (vt allpool)**
- Aku kaitse
 - Tööriist lülitatakse järsku välja või takistatakse selle sisselülitamist, kui
 - **koormus on liiga suur** --> eemaldage koormus ja taaskäivitage
 - **Aku temperatuur ei ole lubatud töötemperatuuril**

vahemikus -20 kuni +50 °C --> 2 aku laetuse taseme indikaatorid hakkavad vilkuma, kui vajutatakse nuppu M ③c; oodake, kuni aku naaseb lubatud töötemperatuuri vahemikku

- **aku on peaaegu tühi (et kaitsta täieliku tühjenemise eest)** --> madal akutase või vilkuv madal akutase ⑧b kuvatakse aku laetuse astme indikaatoril, vajutades nupule M; laadige akut

! ärge vajutage enam lülile (sisse/välja), kui tööriist on end automaatselt välja lülitanud, sest see võib akut kahjustada

- Tarviku vahetus ⑩
! eemaldage aku seadmist
 - eemaldage/paigaldage soovitud lisatarviku nagu illustreeritud
 - veenduge, et lisatarviku avasused lukustuvad tööriista pea keeltesse (suvaline kinnitusasend võimalik)
 - paigaldage lisatarvik niimoodi, et selle mittevajutatud keskosa on allpool
 - **kontrollige lisatarviku fikseerumist** (lisatarvikud, mis pole korralikult pinguldatud või on valesti paigaldatud, võivad tulla töötamise lahti ja põhjustada vigastusohu)

- Tolmu eemaldamine ⑪
! eemaldage aku seadmist
 - kasutage tolmuimeja adapterit J vaid siis, kui töötate lihvpaperiga E
 - paigaldage tolmuimeja adapter J nagu joonisel näidatud
 - ühendage tolmuimejat

! ärge kasutage tolmuemaldusseadet/tolmuimeajat, kui lihvite metallist pindasid

- tolmutõukumise optimaalse jõudluse tagamiseks puhastage tolmuimeja adapterit J korrapäraselt

- Lihvpaberi kinnitamine ⑫
 - lihvitala VELCRO-takjakinnitus tuleb enne lihvpaperi E paigaldamist puhtaks kloppida
 - paigaldage vastavalt joonisele VELCRO lihvpaper H

! tolmu eemaldamiseks vajate aukudega lihvpaperit
! lihvpaperi augud peaksid lihvplaadi omadega ühtima

! vahetage kulunud lihvpaper õigeaegselt välja
! kasutage tööriista ainult siis, kui kogu lihvimispiind on lihvpaperiga kaetud

- Sisse/välja
tööriista sisse-/väljalülitamiseks viige lüliti C ② asendisse "I"/"O"
! enne tarviku kokkupuutumist töödeldava esemega peab seade olema saavutanud maksimaalsed pöörded
! enne tööriista väljalülitamist tuleb see töödeldavalt esemelt eemaldada

- Töökiiruse reguleerimine ⑬
 - ketta kasutamisel D saab liikumissagedust muuta aeglasest (1) kiire (6) asendini (ka siis, kui tööriist töötab)
 - optimaalne töökiirus on materjalist ja selle saab kindlaks määrata katsetamise teel

- Seadme hoidmine ja juhtimine
! töötamise ajal hoidke tööriista kinni korpuse ja käepideme halli värvi osadest ⑭
 - hoidke õhutusavad K kinnikatmata
 - ärge rakendage tööriista kasutades ülemäärast jõudu (liiga suur surve põhjustab kuumenemist ja võib lühendada tarviku tööiga)

- Sügavuse reguleerimise tarvik (DEPTH STOP) (ei sisaldu standardvarustuses) ⑮

TÖÖJUHISED

- Optimaalse tulemuse saavutamiseks erinevatel materjalidel kasutage viitena tabelit ⑯, et määrata õige tarvik (**mittestandardset tarvikud pole komplektis**)
- Lisateavet lugege aadressilt www.skil.com

HOOLDUS/TEENINDUS

- Tööriist pole mõeldud professionaalseks kasutamiseks
- Hoidke tööriist alati puhtana (eriti ventilatsioonivahet K ②)
! enne puhastamist eemaldage tööriistast aku
- Tööriist on hoolikalt valmistatud ja testitud; kui tööriist sellest hoolimata rikki läheb, tuleb see lasta parandada SKILi elektriliste käsitööriistade volitatud remonditöökojas
 - toimetage **lahitimonteerimata** seade koos ostukviitungiga tarnijale või lähimasse SKILi lepingulisse töökotta (aadressid ja tööriista varuosade joonise leiate aadressil www.skil.com)
- Arvestage sellega, et garantii ei hõlma seadme ülekoormamisest või ebaõigest käsitsemisest tulenevaid kahjustusi (teavet SKILi garantiitingimuste kohta vaadake veebilehelt www.skil.com või küsige kohalikult müügiesindajalt)

KESKKOND

- **Ärge visake kasutuskõlbmatuks muutunud elektrilisi tööriistu, patareisid, lisatarvikuid ja pakendeid ära koos olmejäätmetega** (üksnes EL liikmesriikidele)
 - vastavalt Euroopa Parlamendi ja nõukogu direktiivile 2012/19/EÜ elektri- ja elektroonikaseadmete jäätmete kohta ning direktiivi nõuete kohaldamisele liikmesriikides tuleb kasutuskõlbmatuks muutunud elektrilised tööriistad koguda eraldi ja keskkonnasäästlikult korduvkasutada või ringlusse võtta
 - seda meenutab Teile sümbol ⑦
- ! enne aku kahjutumist katke selle otsad kaitseks tugeva teibiga, et vältida lühisahela teket**

MÜRA / VIBRATSIOON

- Standardiga EN 62841 kooskõlas mõõdetud tööriista helirõhu tase on 86,5 dB(A) ja helivõimsuse tase 97,5 dB(A) (määramatus K = 3 dB), ja vibratsioon * (ruumiliste vektorite summa; mõõtemääramatus K = 1,5 m/s²)
* löikamisel < 2,5 m/s²
- Tekkiva vibratsiooni tase on mõõdetud vastavalt standardis EN 62841 kirjeldatud standarditud testile; seda võib kasutada tööriistade võrdlemiseks ja tööriista kasutamisel ettenähtud töödeks esineva vibratsiooni esialgseks hindamiseks
 - tööriista kasutamisel muudeks rakendusteks või teiste/halvasti hooldatud tarvikute kasutamisel võib vibratsioon märkimisväärselt **suurendada**
 - ajal, kui tööriist on väljalülitatud või on küll sisselülitatud, kuid tegelikult seda ei kasutata, võib vibratsioon märkimisväärselt **vähendada**
- ! enda kaitsemiseks vibratsiooni eest hooldage tööriista ja selle tarvikuid korralikult, hoidke oma käed soojad ja tagage sujuv töökorraldus**

Daudzfunkcionāla bezkontakta 3650 bezvadu ierīce

IEVADS

- Šis instruments ir paredzēts koka, plastmasas, gipsa, metāla un mīkstu sienas flīžu zāgēšanai un griešanai, kā arī nelielu virsmu sausai slīpēšanai un apstrādei ar skrāpi
- Elektroinstrumenta ir īpaši nodrošināts darbam malā tuvumā, iegriešanās slīpēšanai un sienu tuvumā
- Šis darbarīks nav paredzēts profesionālai lietošanai
- Šis instruments var tikt izmantots ar pieejamajiem daudzfunkcionālo instrumentu piederumiem, ieskaitot esošos OIS un Starlock piederumus ③
- Izlasiet un saglabājiet šo pamācību ④

TEHNISKIE PARAMETRI ①

INSTRUMENTA ELEMENTI ②

- A Piestiprināšanas svira
 - B Nostiprināšana skrūve ar starpliku
 - C Ieslēgšanas/izslēgšanas slēdzis
 - D Ātruma regulators
 - E Slīpēšanas pamatne
 - F Segmentu zāga asmens
 - G Iegremdēšanas tipa zāga asmens
 - H Slīpēšanas loksne
 - J Putekļsūcēja adapters
 - K Ventilācijas atveres
 - L Gaismas indikators
 - M Akumulatora uzlādes pakāpes indikators
 - N Dzijuma regulēšanas piederums *
- * NAV STANDARTA KOMPLEKTĀCIJĀ

DROŠĪBA

VISPĀRĒJIE NOTEIKUMI ELEKTROINSTRUMENTU DROŠAI LIETOŠANAI

⚠ BRĪDINĀJUMS Iepazīstieties ar visiem šī elektroinstrumenta drošas lietošanas noteikumiem, norādījumiem, attēliem un specifikācijām. Visu turpmāk sniegto norādījumu neizpildes rezultātā lietotājs var ciest no elektrošoka, var izvērsties ugunsnelaime un/vai rasties smagi ievainojumi.

Saglabājiet visus noteikumus un norādījumus turpmākai atsaucēi.

Noteikumos minētais termins "elektroinstruments" nozīmē ar strāvu darbināmu (ar vadu aprīkotu) vai ar akumulatoru darbināmu (bezvadu) elektroinstrumentu.

1) DROŠĪBA DARBA VIETĀ

- Sekoiet, lai darba vieta būtu tīra un sakārtota.** Nekārtīgā darba vietā vai sliktā apgaismojumā var viegli notikt nelaimes gadījums.
- Nelietojiet elektroinstrumentu eksplozīvu vai ugunsdrošu vielu tuvumā un vietās ar paaugstinātu gāzes vai putekļu saturu gaisā.** Darba

laikā instruments nedaudz dzirkstejo, un tas var izsaukt viegli degošu putekļu vai tvaiku aizdegšanos.

- Lietojiet elektroinstrumentu, neļaujiet nepiederošām personām un jo īpaši bērniem tuvoties darba vietai.** Citu personu klātbūtne var novērst uzmanību, un tā rezultātā jūs varat zaudēt kontroli pār instrumentu.
- #### 2) ELEKTRODROŠĪBA
- Elektroinstrumenta kontaktdakšai jābūt piemērotai elektroīkla kontaktligzdai. Kontaktdakšas konstrukciju nedrīkst nekādā veidā mainīt. Nelietojiet kontaktdakšas salāgotājus, ja elektroinstruments caur kabeli tiek savienots ar aizsargzēmējuma ķēdi.** Neizmainītas konstrukcijas kontaktdakša, kas piemērota kontaktligzdai, ļauj samazināt elektriskā trieciena saņemšanas risku.
 - Darba laikā nepieskarieties saņemtiem priekšmetiem, piemēram, caurulēm, radiatoriem, plītiem vai ledusskapjiem.** Pieskaroties saņemtiem virsmām, pieaug risks saņemt elektrisko triecienu.
 - Nelietojiet elektroinstrumentu lietus laikā, neturiet to mitrumā.** Mitrumam iekļūstot instrumentā, pieaug risks saņemt elektrisko triecienu.
 - Nenesiet un nepiekariet elektroinstrumentu aiz elektrokabeļa. Neraujiet aiz kabeļa, ja vēlaties atvienot instrumentu no elektroīkla kontaktligzdas. Sargājiet elektrokabeļi no karstuma, eļļas, asām šķautnēm un instrumenta kustīgajām daļām.** Bojāts vai samezģlojies elektrokabeļis var būt par cēloni elektriskajam triecienam.
 - Darbinot elektroinstrumentu ārpus telpām, izmantojiet tā pievienošanai vienīgi tādus pagarinātājkabeļus, kuru lietošana ārpus telpām ir atļauta.** Lietojot elektrokabeļi, kas piemērots darbam ārpus telpām, samazinās risks saņemt elektrisko triecienu.
 - Ja elektroinstrumentu tomēr nepieciešams lietot vietās ar paaugstinātu mitrumu, izmantojiet tā pievienošanai noplūdes strāvas aizsargreleju.** Lietojot noplūdes strāvas aizsargreleju, samazinās risks saņemt elektrisko triecienu.
- #### 3) PERSONISKĀ DROŠĪBA
- Darba laikā saglabājiet paškontroli un rīkojieties saskaņā ar veselo saprātu. Pārtrauciet darbu, ja jūtaties noguris vai atrodaties alkohola, narkotiku vai medikamentu izraisītā reibumā.** Strādājot ar elektroinstrumentu, pat viens neuzmanības mirklis var būt par cēloni nopietnam savainojumam.
 - Izmantojiet individuālos darba aizsardzības līdzekļus un darba laikā vienmēr nēsājiet aizsargbrilles.** Individuālo darba aizsardzības līdzekļu (putekļu maskas, neslidošu apavu un aizsargķiveres vai ausu aizsargu) pielietošana atbilstoši elektroinstrumenta tipam un veicamā darba raksturam ļauj izvairīties no savainojumiem.
 - Nepieļaujiet elektroinstrumenta patvaļīgu ieslēgšanos.** Pirms elektroinstrumenta pievienošanas elektroīklam, akumulatora ievietošanas vai izņemšanas, kā arī pirms elektroinstrumenta pārņemšanas pārlicinieties, ka tas ir izslēgts. Pārnesot elektroinstrumentu, ja pirksts atrodas uz ieslēdzēja, kā arī pievienojot to elektrobarošanas avotam laikā, kad elektroinstruments ir ieslēgts, var viegli notikt nelaimes gadījums.

- d) **Pirms instrumenta ieslēgšanas neaizmirstiet izņemt no tā regulējošos instrumentus vai skrūvjatslēgas.** Patronatslēga vai skrūvjatslēga, kas instrumenta ieslēgšanas brīdī nav izņemta no tā, var radīt savainojumu.
 - e) **Strādājot ar elektroinstrumentu, ieturiet stingru stāju.** Darba laikā vienmēr saglabājiet līdzsvaru un centieties nepaslīdēt. Tas atvieglos instrumenta vadību neparedzētās situācijās.
 - f) **Izvēlieties darbam piemērotu apģērbu.** Darba laikā nenēsājiet brīvi plandošas drēbes un rotaslietas. Netuviniet garus matus un drēbes elektroinstrumenta kustīgajām daļām. Vaļiņas drēbes, rotaslietas un gari mati var iekerties instrumenta kustīgajās daļās.
 - g) **Ja elektroinstrumenta konstrukcija ļauj tam pievienot ārējo putekļu uzsūkšanas vai savākšanas/uzkrāšanas ierīci, sekojiet, lai tā tiktu pievienota elektroinstrumentam un pareizi darbotos.** Pielietojot putekļu uzsūkšanu vai savākšanu/uzkrāšanu, samazinās to kaitīgā ietekme uz strādājošās personas veselību.
 - h) **Nepaļaujieties uz iemaņām, kas tiek iegūtas, bieži lietojot instrumentus, neieslīgstiet pašapmierinātībā un neignorējiet instrumenta drošas lietošanas principus.** Neuzmanīgas rīcības dēļ dažās sekundēs daļās var gūt nopietnu savainojumu.
- 4) ELEKTROINSTRUMENTU LIETOŠANA UN APKOPE**
- a) **Nepārslodējiet elektroinstrumentu.** Katram darbam izvēlieties piemērotu instrumentu. Elektroinstruments darbosies labāk un drošāk pie nominālās slodzes.
 - b) **Nelietojiet elektroinstrumentu, ja ir bojāts tā ieslēdzējs.** Elektroinstruments, ko nevar ieslēgt un izslēgt, ir bīstams lietošanai un to nepieciešams remontēt.
 - c) **Pirms elektroinstrumenta apkopes, regulēšanas vai darbinstrumenta nomaiņas atvienojiet tā kontaktdakšu no barojošā elektrotīkla vai izņemiet no tā akumulatoru, ja tas ir izņemams.** Šādi iespējams samazināt elektroinstrumenta nejaušas ieslēgšanās risku.
 - d) **Elektroinstrumentu, kas netiek darbināts, uzglabājiet piemērotā vietā, kur tas nav sasniedzams bērniem un personām, kuras neprot rīkoties ar instrumentu.** Ja elektroinstrumentu lieto nekompetentas personas, tas var apdraudēt cilvēku veselību.
 - e) **Savlaicīgi apkalpojiet elektroinstrumentu un to piederumu.** Pārbaudiet, vai kustīgās daļas darbojas bez traucējumiem un nav iespīlētas, vai kāda no daļām nav salauzta vai bojāta, vai katra no tām pareizi funkcionē un pilda tai paredzēto uzdevumu. Nodrošiniet, lai bojātās daļas tiktu savlaicīgi nomainītas vai remontētas pilnvarotā remontu darbnīcā. Daudzi nelaimes gadījumi notiek tāpēc, ka elektroinstruments pirms lietošanas nav pienācīgi apkalpots.
 - f) **Savlaicīgi notīriet un uzasiniet griezošos darbinstrumentus.** Rūpīgi kopti instrumenti, kas apgādāti ar asiem griezejinstrumentiem, ļauj strādāt daudz ražīgāk un ir vieglāk vadāmi.
 - g) **Lietojiet vienīgi tādus elektroinstrumentus, papildpiederumus, darbinstrumentus utt., kas paredzēti attiecīgajam pielietojuma veidam. Bez**

- tam jāņem vērā arī konkrētie darba apstākļi un pielietojuma īpatnības.** Elektroinstrumentu lietošana citiem mērķiem, nekā to ir paredzējis ražotājfirma, ir bīstama un var novest pie neparedzamām sekām.
- h) **Uzturiet elektroinstrumenta rokturus un noturvirsmas sausas un tīras, sargājiet tās no eļļas un smērvielām.** Slideni rokturi un noturvirsmas traucē efektīvi rīkoties ar elektroinstrumentu un to droši vadīt neparedzētās situācijās.
- 5) AKUMULATORA ELEKTROINSTRUMENTU LIETOŠANA**
- a) **Akumulatora uzlādei lietojiet tikai tādu uzlādes ierīci, ko ir ieteikusi elektroinstrumenta ražotājfirma.** Katra uzlādes ierīce ir paredzēta tikai noteikta tipa akumulatoram, un mēģinājums to lietot cita tipa akumulatoru uzlādei var novest pie uzlādes ierīces un/ vai akumulatora aizdegšanās.
 - b) **Pievienojiet elektroinstrumentam tikai tādu akumulatoru, ko ir ieteikusi instrumenta ražotājfirma.** Cita tipa akumulatoru lietošana var novest pie elektroinstrumenta un/vai akumulatora aizdegšanās.
 - c) **Laikā, kad akumulators ir atvienots no elektroinstrumenta, nepieļaujiet, lai tā kontakti saskartos ar saspraudēm, monētām, atslēgām, naglām, skrūvēm vai citiem nelieliem metāla priekšmetiem, kas varētu izraisīt īsslēgumu.** Īsslēgums starp akumulatora kontaktiem var izsaukt tā aizdegšanos un būt par cēloni ugunsgrēkam.
 - d) **Nepareizi lietojot akumulatoru, no tā var izplūst šķidrās elektrolīts. Nepieļaujiet, ka elektrolīts nonāktu saskarē ar ādu. Ja tas tomēr nejausi ir noticis, noskalojiet elektrolītu ar ūdeni. Ja elektrolīts nonāk acīs, nekavējoties griezieties pie ārsta.** No akumulatora izplūdušais elektrolīts var izsaukt ādas iekaisumu vai pat apdegumu.
 - e) **Nelietojiet akumulatoru vai elektroinstrumentu, ja tas ir bojāts vai modificēts.** Bojāti vai modificēti akumulatori var radīt neparedzētas situācijas, kuru rezultātā var notikt aizdegšanās vai sprādziens, kā arī var rasties savainojuma risks.
 - f) **Neturiet elektroinstrumentu vai akumulatoru uguns tuvumā vai vietā ar augstu temperatūru.** Elektroinstrumenta vai akumulatora atrašanās uguns tuvumā vai vietā, kur temperatūra pārsniedz 130°C, var izraisīt sprādzienu.
 - g) **Levērojiet visas uzlādes instrukcijas un neuzlādējiet akumulatoru vai elektroinstrumentu pie temperatūras, kas atrodas ārpus instrukcijā norādīto pieļaujamo temperatūras vērtību diapazona robežām.** Uzlādējot akumulatoru neatbilstošā veidā vai pie temperatūras, kas atrodas ārpus pieļaujamo temperatūras vērtību diapazona robežām, tas var tikt bojāts, kā arī var pieaugt aizdegšanās risks.
- 6) APKALPOŠANA**
- a) **Nodrošiniet, lai Instrumenta remontu veiktu kvalificēts personāls, nomaiņai izmantojot oriģināls rezerves daļas un piederumus.** Tikai tā iespējams panākt instrumenta ilgstošu un nevainojamu darbību bez atteikumiem.
 - b) **Nekādā gadījumā neveiciet bojātu akumulatoru apkalpošanu.** Akumulatoru apkalpošanu drīkst veikt tikai ražotājfirma vai pilnvarots servisa speciālists.

DROŠĪBAS INSTRUKCIJAS DAUDZFUNKCIONĀLAJEM BEZVADU INSTRUMENTIEM

- Veicot darbu, kura laikā elektroinstrumentu var skart slēptus elektriskos vadus, turiet instrumentu tikai aiz izolētajām virsmām (elektroinstrumentam skarot spriegumnesošus vadus, spriegums nonāk arī uz instrumenta metāla daļām un var izraisīt elektrisko triecienu)
- **Izmantojiet skavas vai citā drošā veidā nostipriniet un atbalstiet detaļu uz stabilas virsmas** (turot detaļu rokās vai pie ķermeņa, tā var būt nestabila, un jūs varat zaudēt kontroli)

VISPĀRĒJA INFORMĀCIJA

- Šo instrumentu nedrīkst izmantot personas, kas jaunākas par 16 gadiem
- Izvairieties no instrumenta bojājumiem, ko var radīt apstrādājamajā priekšmetā esošās skrūves, naglas vai citi līdzīgi objekti; pirms darba uzsākšanas atbrīvojiet apstrādājamo materiālu no šādiem priekšmetiem
- **Neapstrādājiet materiālus, kas satur azbestu** (azbestam piemīt kancerogēnas īpašības)
- Pirms instrumenta regulēšanas vai piederumu nomaiņas izņemiet no instrumenta akumulatoru
- Vienmēr stingri turiet instrumentu ar abām rokām un nodrošiniet stabilu pamatu zem kājām
- Materiāla (piemēram, svīnu saturošas krāsas, dažu koka šķirņu, minerālu un metāla) putekļi var būt kaitīgi (saskare ar putekļiem vai to ieelpošana var izraisīt alerģiskas reakcijas un/vai elpošanas ceļu saslimšanas operatoram vai klātesošajiem); **izmantojiet putekļu masku un putekļsūcēju, ja to iespējams pievienot**
- Dažu veidu putekļi ir klasificēti kā kancerogēni (piemēram, ozola vai dižskābarža putekļi), jo īpaši apvienojumā ar koksnes kondicionēšanas piedevām; **izmantojiet putekļu masku un putekļsūcēju, ja to iespējams pievienot**
- Ievērojiet ar putekļu savākšanu saistītos nacionālos noteikumus, kas attiecas uz apstrādājamajiem materiāliem
- **Veicot piederumu nomaiņu, izmantojiet aizsargcimdus** (saskarsmē ar piederumiem var rasties traumas)
- Pirms instrumenta novietošanas izslēdziet tā elektrodzinēju un nogaidiet, līdz ir pilnīgi apstājušās visas instrumenta kustīgās daļas

ZĀĢĒŠANAS/GRIEŠANAS LAIKĀ

- **Netuviniet rokas griešanas vietai:** griežot materiālu, nekādā gadījumā nedrīkst zem tā sniegties
- **Ar piemērota metālmeklētāja palīdzību pārbaudiet, vai apstrādes vietu nešķērso slēptas elektropārvades līnijas, kā arī gāzes vai ūdens caurules; šaubu gadījumā griezties vietējā komunālās saimniecības iestādē** (darbinstrumentam skarot elektrotilka fāzes līniju, var izcelties ugunsgrēks un strādājošais var saņemt elektrisko triecienu; gāzes vada bojājums var izraisīt sprādzienu; darbinstrumentam skarot ūdensvada cauruli, var tikt bojātas materiālās vērtības un strādājošais var saņemt elektrisko triecienu)
- Neizmantojiet iekļausiņus, deformētus vai neasus zāģa asmeņus

SLĪPĒŠANAS LAIKĀ

- **Lietojiet šo instrumentu tikai sausajai slīpēšanai** (ūdenim iekļūstot instrumenta iekšienē, palielinās elektrošoka briesmu risks)
- Nepieskarieties kustīgajai slīpēšanas loksnei

- Nelietojiet nolietotas, deformētas vai stipri piesārņotas slīpēšanas loksnes
- Slīpējot metālu, veidojas dzirksteles; šādā gadījumā neizmantojiet putekļsūcēju un sekojiet, lai darba vietas tuvumā neatrastos citas personas vai ugunsnedroši materiāli

AKUMULATORI

- **Komplektā iekļautais akumulators ir daļēji uzlādēts** (lai nodrošinātu pilnu akumulatora jaudu, pirms elektroinstrumenta pirmās izmantošanas reizes uzlādējiet to pilnībā, izmantojot uzlādes ierīci)
- **Izmantojiet tikai instrumenta piegādes komplektā ietilpstošos akumulatorus un uzlādes ierīces**
 - SKIL akumulators: BR1*31****
 - SKIL uzlādes ierīce: CR1*31****
- Nelietojiet bojātu akumulatoru; tas nekavējoties jānomaina
- Neizjauciet akumulatoru
- Neatstājiet instrumentu/akumulatoru lietū
- Pieļaujamā apkārtējā gaisa temperatūra (instruments/lādētājs/akumulators):
 - uzlādes laikā 4...40°C
 - darba laikā -20...+50°C
 - uzglabāšanas laikā -20...+50°C

UZ INSTRUMENTA/AKUMULATORA ATTĒLOTO SIMBUL SKAIDROJUMS

- ③ Šis instruments var tikt izmantots ar visbiežāk pieejamajiem daudzfunkcionālo instrumentu piederumiem, ieskaitot esošos OIS un Starlock pamata piederumus
- ④ Pirms izstrādājuma lietošanas izlasiet tā lietošanas pamācību
- ⑤ Nekādā gadījumā neievietojiet akumulatoru ugunī, jo tas var izraisīt sprādzienu
- ⑥ Uzglabājiet instrumentu, uzlādes ierīci un akumulatoru vietā, kur temperatūra nepārsniedz 50°C
- ⑦ Neizmetiet elektroiekārtas un baterijas ar sadzīves materiālus atkritumu

DARBS

- Akumulatora uzlādēšana
! izlasiet uzlādes ierīces komplektā iekļautos drošas lietošanas noteikumus un norādījumus
- Akumulatora izņemšana/ievietošana ②
- Akumulatora uzlādes pakāpes indikators ⑧
 - lai uzzinātu akumulatora uzlādes līmeni ⑧a, nospiediet akumulatora līmeņa rādītāja pogu M
- **! ja pēc pogas M ⑧b nospiešanas sāk mirgot zemākā akumulatora līmeņa rādītāja iedaļa, akumulators ir tukšs**
- **! ja pēc pogas M ⑧c nospiešanas sāk mirgot akumulatora līmeņa rādītāja iedaļas 2, akumulatora temperatūra ir ārpus atļautā darba diapazona**
- Gaismas indikators L ⑨ ieslēdzot ieslēgšanas/izslēgšanas slēdzi, automātiski iedegas LED gaisma
! LED gaismai sākot mirgot, tiek aktivizēta akumulatora aizsardzība (skatīt zemāk)
- Akumulatora aizsardzība
Ierīce tiek tūlīt izslēgta vai arī to nav iespējams ieslēgt, ja
 - **slodze ir pārāk liela** --> samaziniet slodzi un ieslēdziet to no jauna

- **akumulatora temperatūra ir ārpus atļautā darba diapazona no -20 līdz +50 °C** --> nospiežot pogu M [Ⓢ]c, sāk mirgot akumulatora 2 līmeņa rādītāja iedaļa; pagaidiet, līdz akumulatora temperatūra atkal ir atļautajā darba diapazonā

- **akumulators ir gandrīz tukšs (aizsardzībai pret pilnīgu izlādi)** --> nospiežot pogu M, akumulatora līmeņa rādītājā ir attēlota zemākā akumulatora līmeņa rādītāja iedaļa vai mirgojoša zemākā akumulatora līmeņa rādītāja iedaļa [Ⓢ]b; uzlādējiet akumulatoru

! pēc instrumenta automātiskas izslēgšanās nedrīkst spiest tā ieslēdzēju, jo tā var sabojāt akumulatoru

- Darbinstrumentu nomaiņa [Ⓣ]

! izņemiet no instrumenta akumulatoru

- noņemiet/uzstādiēt nepieciešamo piederumu, kā tas parādīts zīmējumā

- **pārliecinieties, ka uz piederuma esošās atveres atrodas pretī uz instrumenta galvas esošajiem izciļņiem** (iespējama jebkura fiksācijas pozīcija)

- uzstādiēt piederumu ar tā saspiesto centru virzienā uz leju

- **pārliecinieties, ka piederums ir cieši nostiprināts** (nepareizi vai neprecīzi nostiprināts piederums lietošanas laikā var kļūt vaļīgs un nodarīt kaitējumu)

- Putekļu uzsūkšana [Ⓛ]

! izņemiet no instrumenta akumulatoru

- izmantojiet putekļsūcēja adapteri E tikai tad, kad strādājat ar slīpēšanas pamatni J

- pievienojiet instrumentam putekļsūcēja adapteru J, kā parādīts attēlā

- pievienojiet putekļsūcēju

! nelietojiet putekļu nosūcēju/putekļsūcēju, slīpējot metālu

- lai nodrošinātu optimālu putekļu savākšanu J, regulāri tīriet putekļsūcēja adapteri

- Slīpēšanas loksnes nostiprināšana [Ⓛ]

- pirms slīpēšanas loksnes notīrīšanas attīriet E slīpēšanas pamatnes ar VELCRO materiālu pārklāto virsmu

- nostipriniet VELCRO tipa (pašnoturošās) slīpēšanas loksnes H, kā parādīts attēlā

! ja vēlaties pielietot putekļu uzsūkšanu, lietojiet perforētas slīpēšanas loksnes

! atvērumiem slīpēšanas loksne jāsakrīt ar atvērumiem slīpēšanas pamatnē

! savlaicīgi nomainiet nolietotas slīpēšanas loksnes

! strādājiet ar instrumentu vienīgi tad, ja visa VELCRO pamatne ir nosegta ar slīpēšanas loksni

- Ieslēgšana/izslēgšana

- lai ieslēgtu/izslēgtu instrumentu, nospiediet ieslēdzēju C [Ⓒ] stāvoklī "I"/"O"

! kontaktējiet darbinstrumentu ar apstrādājamo materiālu tikai pēc tam, kad instrumenta ātrums ir sasniedzis nominālo vērtību

! pirms instrumenta izslēgšanas paceliet to no apstrādājāmā priekšmeta virsmas

- Darba ātruma regulēšana [Ⓛ]

- ar ritenīti D nepieciešamo svārstveida kustības frekvenci var mainīt no zemas (1) līdz augstai (6) (arī instrumenta darbības laikā)

- optimālais darba ātrums ir atkarīgs no materiāla, un to var noteikt, izmēģinot praksē

- Instrumenta turēšana un vadīšana

! darba laikā vienmēr turiet instrumentu aiz pelēkās krāsas noturvirsmas(ām) [Ⓛ]

- nenosprostojeiet instrumenta ventilācijas atveres K

- nepielietojiet pārāk lielu spiedienu pret instrumentu (pārmērīgs spiediens izraisīs pārlieku uzkaršanu un var samazināt piederuma kalpošanas mūžu)

- Dziļuma regulēšanas piederums (DEPTH STOP) (neietilpst standarta piegādes komplektā) [Ⓛ]

PRAKTISKI PADOMI

- Lai sasniegtu optimālus rezultātus uz dažādām virsmām, skatiet tabulu, [Ⓛ] lai izvēlētos atbilstošu piederumu (**piederumi nav iekļauti standartaprīkojumā**)
- Papildu informāciju skatīt tīmekļa vietnē www.skil.com

APKALPOŠANA / APKOPE

- Šis darbarīks nav paredzēts profesionālai lietošanai
- Vienmēr uzturiet instrumentu tīru (īpaši ventilācijas atveres K [Ⓒ])
- **! pirms tīrīšanas izņemiet no instrumenta akumulatoru**
- Ja, neraugoties uz augsto izgatavošanas kvalitāti un rūpīgo pēcražošanas pārbaudi, instruments tomēr sabojājas, tas jānogādā remontam firmas SKIL pilnvarotā elektroinstrumentu remonta darbnīcā
- nogādājiet instrumentu **neizjauktā veidā** kopā ar iegādātos dokumentiem tuvākajā tirdzniecības vietā vai firmas SKIL pilnvarotā pēciegādes apkalpošanas un remonta iestādē (adreses un instrumenta apkalpošanas shēma ir sniegta interneta vietnē www.skil.com)
- Ievērojiet, ka garantijā neietilpst pārslodzes vai nepareizas instrumenta ekspluatācijas izraisītie bojājumi (SKIL garantijas noteikums skatiet www.skil.com vai vērsieties pie izplatītāja)

APKĀRTĒJĀS VIDES AIZSARDZĪBA

- **Neizmetiet elektroiekārtas, baterijas, piederumus un iesaņojuma materiālus sadzīves atkritumos** (tikai ES valstīm)
- saskaņā ar Eiropas Savienības direktīvu 2012/19/ES par nolietotajām elektriskajām un elektroniskajām iekārtām un tās atspoguļojumiem nacionālajā likumdošanā, nolietotās elektroiekārtas ir jāsavāc, jāizjauc un jānogādā atsevišķai pārstrādei apkārtējai videi nekaitīgā veidā
- īpašs simbols [Ⓛ] atgādina par nepieciešamību izstrādājumus utilizēt videi nekaitīgā veidā
- **! pirms akumulatora utilizācijas tā kontakti jāapslēdz ar izolācijas lenti, lai nepieļautu īssavienojuma rašanos starp tiem**

TROKSNIS / VIBRĀCIJA

- Veicot mērījumus atbilstoši EN 62841, šī instrumenta akustiskā spiediena līmenis ir 86,5 dB(A), akustiskās jaudas līmenis ir 97,5 dB(A) (nenoteiktība K = 3 dB), bet vibrācija ***** (triaksiālā vektora summa; nenoteiktība K = 1.5 m/s²)
- *** griešajot < 2,5 m/s²**
- Vibrācijas līmenis ir noteikts, izmantojot standartā EN 62841 paredzēto procedūru; to var izmantot, lai salīdzinātu instrumentus un provizoriski izvērtētu

vibrācijas iedarbību, lietojot instrumentu minētajiem mērķiem

- instrumenta izmantošana citiem mērķiem vai ar citiem vai nepietiekami koptiem piederumiem var ievērojami **palielināt** kopējo vibrācijas iedarbības pakāpi

- laika periodi, kad instruments ir izslēgts vai arī ir ieslēgts, taču darbs ar to nenotiek, var ievērojami **samazināt** kopējo vibrācijas iedarbības pakāpi

! pasargājiet sevi no vibrācijas iedarbības, veicot instrumenta un tā piederumu tehnisko apkopi, novēršot roku atdzišanu un pareizi organizējot darbu

LT

Universalusis akumulatorinis 3650 prietaiss su bešepečiu varikliu

ĪVADAS

- Šis įrankis skirtas medienos, plastiko, gipso, metalo ir minkštų sienų plytelių įjauštumui ir gręžimui ir nedidelių plotų sausajam šlifavimui ir grandymui
- Jis ypač tinka darbams arti krašto, taip pat įleidžiamojamajam pjovimo ir pjovimo arti kliūties darbams
- Šis įrankis neskirtas profesionaliam naudojimui
- Šis įrankis gali būti naudojamas su dauguma įprastinių priedų, įskaitant bendrovės OIS ir Starlock teikiamus priedus ③
- Perskaitykite ir išsaugokite šią naudojimo instrukciją ④

TECHNINIAI DUOMENYS ①

PRIETAISO ELEMENTAI ②

- A Tvirtinimo svirtis
- B Fiksatoriaus varžtas su poveržle
- C Įjungimo/išjungimo jungiklis
- D Greičio pasirinkimo ratukas
- E Šlifavimo padas
- F Segmentinis pjūklelis
- G Smeigiamasis pjūklelis
- H Šlifavimo popierius
- J Dulkių nusiurbimo atvamzdį
- K Ventilacinės angos
- L Šviesos diodas
- M Akumulatoriaus įkrovos indikatorius
- N Gylio reguliavimo priedas *

* NĖRA STANDARTINIAME KOMPLEKTE

SAUGA

BENDRIEJI ELEKTRINIŲ ĮRANKIŲ SAUGOS ĮSPĖJIMAI

⚠ ĮSPĖJIMAS Perskaitykite visus su šiuo elektriniu prietaisu pateiktus saugos perspėjimus, instrukcijas, paveikslėlius ir specifikacijas. Nepaisant toliau pateiktų instrukcijų galite patirti elektros smūgi, įvykti gaisras ir / ar patirti rimtų sužalojimų.

Išsaugokite visus įspėjimus ir instrukcijas ateičiai.

Terminas „elektros įrankis“ įspėjimuose reiškia jūsų iš elektros tinklo (laidais) maitinamus įrankius arba elektros įrankius, veikiančius nuo baterijų (belaidžius).

1) DARBO VIETOS SAUGUMAS

- Darbo vieta turi būti švari ir tvarkinga.** Netvarka ar blogai apšviesta darbo vieta gali tapti nelaimingų atsitikimų priežastimi.
- Nedirbkite tokioje aplinkoje, kur yra degių skysčių, dujų ar dulkių.** Elektriniai įrankiai gali kibirkščiuoti, o nuo kibirkščių dulkės arba susikaupę garai gali užsidegti.
- Dirbdami su elektriniu įrankiu neleiskite šalia būti žiūrovams, vaikams ir lankytojams.** Nukreipę dėmesį į kitus asmenis galite nebesuvaldyti prietaiso.

2) ELEKTROSAUGA

- Maitinimo laido kištukas turi atitikti tinklo rozetės tipą.** Kištuko jokių būdu negalima modifikuoti. **Nenaudokite jokių kištuko adapterių su žemintais prietaisais.** Originalūs kištukai, tiksliai tinkantys elektros tinklo rozetei, sumažina elektros smūgio pavojų.
- Venkite kūno kontakto su žemintais paviršiais, tokiais kaip vamzdžiai, šildytuvai, viryklės ar šaldytuvai.** Egzistuoja padidinta elektros smūgio rizika, jei Jūsų kūnas bus žemintas.
- Saugokite prietaisą nuo lietaus ir drėgmės.** Jei vanduo patenka į elektrinį prietaisą, padidėja elektros smūgio rizika.
- Nenaudokite maitinimo laido ne pagal paskirtį, t. y. neneškite prietaiso paėmę už laido, nekabinkite prietaiso už laido, netraukite už jo, norėdami išjungti kištuką iš rozetės.** Laidą klokite taip, kad jo neveiktų karštis, jis neišsitemptų alyva ir jo nepažeistų aštrios detalės ar judančios prietaiso dalys. Pažeisti arba susipynę laidai gali tapti elektros smūgio priežastimi.
- Jei su elektriniu įrankiu dirbate lauke, naudokite tik tokius ilginimo kabelius, kurie tinka lauko darbams.** Naudojant lauko darbams pritaikytus ilginimo kabelius, sumažinamas elektros smūgio pavojus.
- Jei su elektriniu įrankiu neišvengiamai reikia dirbti drėgnoje aplinkoje, naudokite žemininio grandinės pertraukiklį.** Naudojant žemininio grandinės pertraukiklį, sumažėja elektros smūgio pavojus.

3) ŽMONIŲ SAUGA

- Būkite atidūs, sutelkite dėmesį į tai, ką Jūs darote ir, dirbdami su elektriniu įrankiu, vadovaukitės sveiku protu. Nedirbkite su prietaisu, jei esate pavargę arba vartojote narkotikus, alkoholį ar medikamentus.** Akimirksnio neatidumas naudojant prietaisą gali tapti rimtų sužalojimų priežastimi.
- Naudokite asmenines apsaugos priemones ir visuomet užsidėkite apsauginius akinius.** Naudojant asmenines apsaugos priemones, pvz., respiratorių ar apsauginę kaukę, neslystančius batus, apsauginį šalną, klausos apsaugos priemones ir kt., rekomenduojamas dirbant su tam tikros rūšies įrankiais, sumažėja rizika susižeisti.
- Saugokitės, kad neįjungtumėte prietaiso atsitiktinai.** Prieš prijungdami elektrinį įrankį prie elektros tinklo ir/arba akumulatoriaus, prieš pakeldami ar nešdami įsitikinkite, kad jis yra išjungtas. Jeigu nešdami elektrinį įrankį pirštą laikysite ant jungiklio arba prietaisą įjungsitė į elektros tinklą, kai jungiklis yra įjungtas, gali įvykti nelaimingas atsitikimas.
- Prieš įjungdami prietaisą pašalinkite reguliavimo įrankius arba veržlių raktus.** Prietaiso besisukančioje dalyje esantis įrankis ar raktas gali tapti sužalojimų priežastimi.

- e) **Nepervertinkite savo galimybių. Dirbdami atsistokite patikimai ir visada išlaikykite pusiausvyrą.** Patikima stovėsenai ir tinkama kūno laikysena leis geriau kontroliuoti prietaisą netikėtose situacijose.
- f) **Dėvėkite tinkamą aprangą. Nedėvėkite plačių drabužių ir papuošalų. Saugokite plaukus ir drabužius nuo besisukančių elektrinio įrankio dalių.** Laisvus drabužius, papuošalus bei ilgus plaukus gali įtraukti besisukančios dalys.
- g) **Jeį yra numatyta galimybė prijungti dulkių nusiurbimo ar surinkimo įrenginius, visada įsitikinkite, ar jie yra prijungti ir ar teisingai naudojami.** Naudojant dulkių nusiurbimo įrenginius sumažėja kenksmingas dulkių poveikis.
- h) **Dažnai naudodami įrankį ir gerai su juo susipažinę pernelyg neatsipalaiduokite ir nepradėkite nepaisyti įrankio saugos principų.** Neatidus veiksmas gali sukelti sunkią traumą per sekundės dalį.
- 4) RŪPESTINGA ELEKTRINIŲ ĮRANKIŲ PRIEŽIŪRA IR NAUDOJIMAS**
- a) **Neperkraukite prietaiso. Naudokite Jūsų darbui tinkamą elektrinį įrankį.** Su tinkamu elektriniu įrankiu Jūs dirbsite geriau ir saugiau, jei neviršysite nurodyto galingumo.
- b) **Nenaudokite elektrinio įrankio su sugedusiu jungikliu.** Elektrinis įrankis, kurio nebegalima įjungti ar išjungti, yra pavojingas ir jį reikia remontuoti.
- c) **Prieš reguliuodami prietaisą, keisdami darbo įrankius ar prieš valydami prietaisą, iš elektros tinklo lizdo ištraukite kištuką ir/arba išimkite akumuliatorių, jeigu jis išimamas.** Ši saugumo priemonė apsaugos jus nuo netikėto prietaiso įsijungimo.
- d) **Nenaudojamą prietaisą sandėliuokite vaikams ir nemokantiems juo naudotis asmenims neprieinamoje vietoje.** Elektriniai įrankiai yra pavojingi, kai juos naudoja nepatyrę asmenys.
- e) **Pržiūrėkite elektrinį įrankį ir priedus. Tikrinkite, ar besisukančios prietaiso dalys tinkamai veikia ir niekur nekliūva, ar nėra sulūžusių ar šiaip pažeistų dalių, kurios įtakotų prietaiso veikimą.** Prieš vėl naudojant prietaisą pažeistos prietaiso dalys turi būti suremontuotos. Daugelio nelaimingų atsitikimų priežastis yra blogai pržiūrimi elektriniai įrankiai.
- f) **Pjovimo įrankiai turi būti aštrūs ir švarūs.** Rūpestingai pržiūrint pjovimo įrankiai su aštriomis pjaunamosiomis briaunomis mažiau stringa ir juos yra lengviau valdyti.
- g) **Elektrinį įrankį, papildomą įrangą, darbo įrankius ir t. t. naudokite taip, kaip nurodyta šioje instrukcijoje. Taip pat atsižvelkite į darbo sąlygas bei atliekamo darbo pobūdį.** Naudojant elektrinius įrankius ne pagal jų paskirtį galima sukelti pavojingas situacijas.
- h) **Rankenos ir suėmimo paviršiai turi būti sausi, švarūs, ant jų neturi būti alyvos ir tepalų.** Dėl slidžių rankenų ir suėmimo paviršių negalėsite saugiai išlaikyti ir suvaldyti įrankio netikėtose situacijose.
- 5) RŪPESTINGA AKUMULIATORINIŲ ĮRANKIŲ PRIEŽIŪRA IR NAUDOJIMAS**
- a) **AKUMULIATORIAUS KROVIMUI NAUDOTI TIK TUOS ĮKROVIKLIUS, KURIOS REKOMENDUOJA GAMINTOJAS.** Naudojant kitokio tipo akumuliatoriams skirtą įkroviklį, kyla gaisro pavojus.
- b) **Su prietaisu galima naudoti tik jam skirtą akumuliatorių.** Naudojant kitokius akumuliatorius atsiranda pavojus susižeisti bei sukelti gaisrą.
- c) **Nelaikykite sąvaržėlių, monetų, raktų, vinių, varžtų ar kitokių metalinių daiktų arti ištraukto iš instrumento akumulatoriaus kontakto.** Užtrumpinus akumulatoriaus kontaktus galima nusideginyti ar sukelti gaisrą.
- d) **Netinkamai naudojant akumuliatorių, iš jo gali iškėti skystis. Venkite kontakto su šiuo skystčiu. Jei skystis pateko ant odos, nuplaukite jį vandeniu, jei pateko į akis - nedelsiant kreipkitės į gydytoją.** Akumulatoriaus skystis gali sukelti odos sudirginimą ar nudegimus.
- e) **Nenaudokite pažeisto arba perdaryto akumulatoriaus arba įrankio.** Sugadinti arba perdaryti akumulatoriai gali veikti nenuspėjamai – sukelti gaisrą, sprogimą arba traumų pavojų.
- f) **Saugokite akumuliatorių arba įrankį nuo ugnies ir aukštos temperatūros.** Patekęs į ugnį arba aukštesnę nei 130°C temperatūrą, jis gali sprogti.
- g) **Vykdykite visas įkrovimo instrukcijas ir nekraukite akumulatoriaus arba įrankio temperatūroje, neatitinkančioje instrukcijoje nurodyto temperatūros diapazono ribų.** Netinkamai kraunant arba jeigu temperatūra neatitinka nurodyto diapazono ribų, gali sugesti akumuliatorius ir kilti gaisras.
- 6) APTARNAVIMAS**
- a) **Prietaisą turi remontuoti tik kvalifikuotas specialistas ir naudoti tik originalias atsargines dalis.** Taip galima garantuoti, jog prietaisas išliks saugus.
- b) **Niekada neatlikite pažeisto akumulatoriaus techninės priežiūros.** Akumuliatorių techninę priežiūrą turi atlikti tik gamintojas arba įgaliotasis techninės priežiūros atstovas.

SAUGOS NUORODOS ASMENIMS, DIRBANTIEMS SU UNIVERSALIAISIAIS AKUMULIATORINIAIS ĮRANKIAIS

- **Jeį atliekate darbus, kurių metu darbo įrankis gali kliudyti paslėptus elektros laidus, tuomet elektrinį įrankį laikykite už izoliuotų rankenų paviršių** (palletius laidą, kuriuo teka elektros srovė, metalinėse elektrinio įrankio dalyse gali atsirasti įtampa ir ištikti elektros smūgis)
- **Dirbinį prie stabilaus pagrindo pritvirtinkite spaustuvais ar kitomis tinkamomis priemonėmis** (rankoje laikomas ar į kūną atremtas dirbinyis yra nestabilus ir galite nesuvaldyti jo arba įrankio)

BENDROJI DALIS

- Šį prietaisą turėtų naudoti tik asmenys, kuriems 16 ir daugiau metų
- Saugokite, kad nepažeistumėte prietaiso į ruošinyje esančius varžtus, vinius ir pan; prieš pradėdami darbą juos pašalinkite
- **Draudžiama apdirbti medžiagas, kurių sudėtyje yra asbesto** (asbestos pasižymi vėžį sukeliančiu poveikiu)
- Atlikdami bet kokius pakeitimus arba pavyzdžiui keisdami priedus, išimkite bateriją
- Darbo metu visada tvirtai laikykite prietaisą abiem rankom bei patikimai stovėkite
- Kai kurių medžiagų, kaip antai dažų, kurių sudėtyje yra švino, kai kurių medžių rūšių medienos, mineralų ir metalo dulkės gali būti kenksmingos (kontaktas su šiomis dulkelėmis arba įkvėptos dulkelės gali sukelti operatoriumi

arba šalia esantiems žmonėms alergines reakcijas ir/arba kvėpavimo sistemos susirgimus); **mūvėkite priešdulkinę puskaukę arba dirbdami naudokite dulkių ištraukimo įrenginį, jei jį galima prijungti**

- Kai kurių rūšių dulksės priskiriamos kancerogeninėms (pvz., ažuolo arba buko medienos dulksės), ypač susimaišiusios su medienos taurinimui naudojamais priedais; **mūvėkite priešdulkinę puskaukę arba dirbdami naudokite dulkių ištraukimo įrenginį, jei jį galima prijungti**
- Vadovaukitės Jūsų šalyje taikomų direktyvų reikalavimais, skirtais medžiagoms, su kuriomis norite dirbti
- **Keisdami tam skirtus paieškos prietaisus, patikrinkite, ar gręžimo vietoje nėra paslėptų komunalinių tinklų vamzdynų, arba pasikvieskite į pagalbą vietinius komunalinių paslaugų tiekėjus** (kontaktas su elektros laidais gali sukelti gaisro bei elektros smūgio pavojų; pažeidus dujotiekio vamzdį, gali įvykti sprogimas; pažeidus vandentiekio vamzdį, galima pridaryti daugybę nuostolių bei sukelti elektros smūgio pavojų)
- Nenaudokite įtrūkusių, sulenktų ar atšipusių pjūklelių

PJOVIMO Taisyklės

- **Nekiškite rankų prie pjovimo vietos;** kirpdami niekada, jokiais sumetimais nekiškite rankų po medžiaga
- **Naudodami tam skirtus paieškos prietaisus, patikrinkite, ar gręžimo vietoje nėra paslėptų komunalinių tinklų vamzdynų, arba pasikvieskite į pagalbą vietinius komunalinių paslaugų tiekėjus** (kontaktas su elektros laidais gali sukelti gaisro bei elektros smūgio pavojų; pažeidus vandentiekio vamzdį, galima pridaryti daugybę nuostolių bei sukelti elektros smūgio pavojų)
- Nenaudokite įtrūkusių, sulenktų ar atšipusių pjūklelių

Šlifavimo taisyklės

- **Įrankį naudokite tik sausajam šlifavimui** (į įrankio vidų patekus vandens padidėja elektros smūgio pavojus)
- Nelieskite rankomis švytuojančio šlifavimo popieriaus lapelio
- Draudžiama naudoti nusidėvėjusius, įplyšusius ar labai užterštus šlifavimo popieriaus lapelius
- Šlifuojant metalą kyla kibirkštys; nenaudokite dulkių siurblio ir pasirūpinkite, kad Jums dirbant aplink nebūtų kitų asmenų, kuriuos galėtų sužeisti lekiančios kibirkštys, o taip pat - degių medžiagų

AKUMULATORIAI

- **Pridedama baterija yra iš dalies įkrauta** (norint užtikrinti baterijos galingumą, visiškai įkraukite bateriją įkroviklyje prieš pirmą kartą naudodami elektrinį įrankį)
- **Naudokite tik tokias kartu su šiuo prietaisu tiekiamas baterijas**
 - „SKIL“ baterija: BR1*31****
 - „SKIL“ įkroviklis: CR1*31****
- Nenaudokite pažeistų akumuliatorių baterijų, jas būtina pakeisti
- Negalima išmontuoti baterijos
- Jokiu būdu nepalikite prietaiso / baterijų, kai lyja
- Leidžiamoji aplinkos temperatūra (prietaiso/kroviklio/akumuliatorių):
 - įkraunant 4...40°C
 - įrankiui veikiant -20...+50°C
 - sandėliuojant -20...+50°C

ANT PRIETAISO/BATERIJOS ESANČIŲ SIMBOLIŲ REIKŠMĖS

- ③ Šis įrankis gali būti naudojamas su dauguma įprastų priedų, įskaitant bendrovės OIS ir Starlock teikiamus priedus
- ④ Prieš naudodami įrankį perskaitykite instrukcijų vadovą
- ⑤ Įmesti į ugnį akumuliatoriai sprogs, jų nedeginkite jokiais sumetimais

- ⑥ Patalpos, kurioje laikomas prietaisas, akumuliatorių kroviklis ar akumuliatorius, temperatūra neturi viršyti 50°C

- ⑦ Nemeskite elektrinių įrankių ir baterijos į buitinių atliekų konteinerius

NAUDOJIMAS

- Akumuliatoriaus įkrovimas
 - ! **Skaitykite saugos įspėjimus ir instrukcijas, pateiktas kartu su įkrovikliu**
- Baterijų išėmimas ir įdėjimas ②
- Akumuliatoriaus įkrovos indikatorius ⑧
 - paspaudus akumuliatoriaus įkrovos lygio indikatorius mygtuką M rodomas esamas akumuliatoriaus įkrovos lygis, ⑧a pav.
 - ! **jei paspaudus mygtuką M ima mirksėti žemiausio akumuliatoriaus įkrovos lygio indikatorius, kaip parodyta ⑧b pav., akumuliatorius yra išsikrovęs**
 - ! **jei paspaudus mygtuką M ima mirksėti 2 akumuliatoriaus įkrovos lygio indikatorius segmentai, kaip parodyta ⑧c pav., akumuliatoriaus temperatūra yra už leidžiamosios darbinės temperatūros intervalo ribų**
- Šviesos diodas L ⑨
 - Šviesos diodas įsižiebia įjungus įjungimo arba išjungimo jungiklį
 - ! **jei šviesos diodas ima mirksėti, suveikė akumuliatoriaus apsauga (žr. toliau)**
- Akumuliatoriaus apsauga
 - Prietaisas staiga išsijungia arba jo nepavyksta įjungti, jei
 - **apkrova yra per didelė** --> pašalinkite apkrovą ir vėl paleiskite prietaisą
 - **akumuliatoriaus temperatūra nepatenka į leidžiamosios darbinės temperatūros intervalą (nuo -20 iki 50 °C)** --> paspaudus mygtuką M ima mirksėti 2 akumuliatoriaus įkrovos lygio indikatorius segmentai, kaip parodyta ⑧c pav.; palaukite, kol akumuliatoriaus temperatūra grįš į leidžiamosios darbinės temperatūros intervalą
 - **akumuliatorius beveik išsikrovęs (apsauga nuo visiško išsikrovimo)** --> paspaudus mygtuką M įsižiebia arba mirksi žemo akumuliatoriaus įkrovos lygio indikatorius, kaip parodyta ⑧b pav.; pakeiskite akumuliatorių
 - ! **jei instrumentas išsijungė automatiškai, nelaikykite nuspaudę jo jungiklio, nes taip galima sugadinti akumuliatorių**
- Papildomos įrangos keitimas ⑩
 - ! **išimkite bateriją iš prietaiso**
 - reikiamą priedą nuimkite ir uždėkite, kaip vaizduojama iliustracijoje
 - pasirūpinkite, kad priedo angos būtų sutapdintos su įrankio galvutės iškyšomis (priedą galima užfiksuoti įvairiai pasuktą)
 - priedą dėkite taip, kad įspauda jo viduryje būtų nukreipta žemyn
 - **tikrinkite, ar priedas patikimai uždėtas** (netinkamai ar nepatikimai įtvirtinti priedai dirbant gali atspalaiduoti ir būti pavojingi)
- Dulkių nusiurbimas ⑪
 - ! **išimkite bateriją iš prietaiso**
 - naudokite dulkių siurblio adapterį J tik tada, kai dirbate su šlifavimo padu E

- dulkių nusiurbimo atvamzdį J sumontuokite taip, kaip parodyta paveikslėlyje
- prijunkite dulkių siurbį
- ! **ne naudokite dulkių ištraukiklio arba dulkių siurblio šlifudami metalą,**
- reguliariai valant dulkių siurblio adapterį J užtikrinamas optimalus dulkių nusiurbimas
- Šlifavimo popieriaus pritvirtinimas ⑫
 - prieš uždedami šlifavimo popierių iškratykite šlifavimo pado kibaus sujungimo audinį (VELCRO) E
 - uždėkite VELCRO (kibus sujungimas) šlifavimo popieriaus lapelį H, kaip parodyta paveikslėlyje
 - ! **norint, kad dulkės būtų nusiurbiamos, reikia naudoti skylėtą šlifavimo popieriaus lapelį**
 - ! **šlifavimo popieriaus skylės turi sutapti su skylėmis šlifavimo plokštėje**
 - ! **laiku pakeiskite nusidėvėjusį šlifavimo popieriaus lapelį**
 - ! **įrankį leidžiama naudoti tik tuomet, kai šlifavimo popierius uždengia visą VELCRO medžiaga padengtą paviršių**
- Įjungimas/išjungimas
 - prietaisas yra įjungiamas/išjungiamas perstatant jungiklį C ② į padėtį "I"/"O"
 - ! **prieš glausdami įrankį prie ruošinio palaukite, kol prietaisas visiškai įsibėgės**
 - ! **prieš išjungdami prietaisą attraukite jį nuo ruošinio**
- Darbo greičio reguliavimas ⑬
 - ratuku D galima nustatyti reikiamą vibracijos dažnį nuo mažo (1) iki didelio (6) (reguluoti galima ir įrankiu veikiant)
 - optimalus darbo greitis priklauso nuo medžiagos ir gali būti nustatytas praktiniais bandymais
- Prietaiso laikymas ir valdymas
 - ! **dirbdami laikykite prietaisą už pilkos spalvos suėmimo vietos(-ų) ⑭**
 - ventiliacines angas K laikykite neuždengtas
 - pernelyg nespauskite įrankio (pernelyg spaudžiant dalys labai kaista, todėl gali sutrumpėti priedo eksploataavimo trukmė)
- Gylio reguliavimo priedas (DEPTH STOP) (nėra standartiniame komplekte) ⑮

NAUDOJIMO PATARIMAI

- Siekdami optimalių rezultatų dirbdami su skirtingomis medžiagomis, vadovaukitės ⑯ lentele tinkamam priedui pasirinkti (**priedai, kurie standartiškai nepateikiami**)
- Daugiau informacijos rasite internete www.skil.com

PRIEŽIŪRA / SERVISAS

- Šis įrankis neskirtas profesionaliam naudojimui
- Periodiškai valykite prietaisą (ypač ventiliacines angas K ②)
- ! **prieš valant, išimkite bateriją iš įrankio**
- Jeigu prietaisas, nepaisant gamykloje atliktamo kruopštaus gamybos ir kontrolės proceso, vis dėlto sugestų, jo remontas turi būti atliekamas įgaliotose SKIL elektrinių įrankių remonto dirbtuvėse
 - **neišardytą** prietaisą kartu su pirkimo čekiu siųskite tiekėjui arba į artimiausią SKIL firmos įgaliotą elektros prietaisų techninio aptarnavimo tarnybą (adresus bei atsarginių dalių brėžinius rasite www.skil.com)

- Turėkite omeny, kad garantija netaikoma, jei gedimas atsiranda dėl perkrovos ar netinkamo naudojimo (dėl SKIL garantijos sąlygų žr. www.skil.com arba kreipkitės į jus aptarnaujantį prekybos atstovą)

APLINKOSAUGA

- **Nemeskite elektrinių įrankių, baterijas, papildomos įrangos ir pakuočių į buitinių atliekų kontenerius** (galioja tik ES valstybėms)
 - pagal ES Direktyvą 2012/19/EG dėl naudotų elektrinių ir elektroninių prietaisų atliekų utilizavimo ir pagal vietinius valstybės įstatymus atitarnavę elektriniai įrankiai turi būti surenkami atskirai ir gabenami į antrinių žaliavų tvarkymo vietas, kur jie turi būti sunaikinami ar perdirbami aplinkai nekenksmingu būdu
 - apie tai primins simbolis ⑰, kai reikės išmesti atitarnavusį prietaisą
 - ! **prieš išmesdami bateriją apvyniokite jos galus, kad netyčia nekiltų paviršinio nuotėkio srovė**

TRIUKŠMINGUMAS / VIBRACIJA

- Išmatuotas pagal EN 62841, šio instrumento garso slėgio lygis yra 86,5 dB(A), garso galios lygis 97,5 dB(A) (neapibrėžtis K = 3 dB), vibracija * (triaušo vektorius suma; neapibrėžtis K = 1,5 m/s²)
- *Šlifuojant < 2,5 m/s²
- Vibracijos sklaidos lygis išmatuotas pagal standarte EN 62841 išdėstytus standartizuoto bandymo reikalavimus; ši vertė gali būti naudojama vienam įrankiui palyginti su kitu bei išankstiniam vibracijos poveikiui įvertinti, kai įrankis naudojamas paminėtais būdais
 - naudojant įrankį kitokiais būdais arba su kitokiais bei netinkamai prižiūrimais priedais, gali žymiai **padidėti** poveikio lygis
 - laikotarpiams, kai įrankis išjungtas arba yra įjungtas, tačiau juo nedirbama, gali žymiai **sumažėti** poveikio lygis
- ! **apsisaugokite nuo vibracijos poveikio prižiūredami įrankį ir jo priedus, laikydami rankas šiltai ir derindami darbo ciklus su pertraukėlėmis**

MK

Акумуляторски повекенаменски алат

3650

УПАТСТВО

- Овој алат е наменет за сечење на дрво, пластика, гипс, метал и меки ѕидни плочки, како и суво брусење и стругање на мали површини
- Посебно е соодветен за работење близу до рабови, аголно сечење и сечење со порамнување
- Овој алат не е наменет за професионална употреба
- На овој алат може да се постават вообичаените додатоци за повекенаменските алати, вклучително и постојните додатоци на OIS и Starlock ③
- Внимателно прочитајте го и зачувајте го ова упатство за ракување ④

ТЕХНИЧКИ ПОДАТОЦИ ①

ЕЛЕМЕНТИ НА АЛАТОТ ②

- A Рачка за стегање
 - B Шраф за стегање со дихтунг
 - C Прекинувач за вклучување/исклучување
 - D Тркало за избор на брзината
 - E Подлошка за брусење
 - F Сегмент со сечиво
 - G Сечиво со забивање
 - H Хартија за брусење
 - J Адаптер за правосмукалната
 - K Отвори за вентилација
 - L ЛЕД-светилки
 - M Индикатор за нивото на батеријата
 - N Додаток за прилагодување длабочина *
- * НЕ Е СТАНДАРДНО ВКЛУЧЕНО

БЕЗБЕДНОСТ

ОПШТИ ПРЕДУПРЕДУВАЊА ЗА БЕЗБЕДНОСТ НА ЕЛЕКТРИЧНИТЕ АЛАТИ

⚠ ПРЕДУПРЕДУВАЊЕ Прочитајте ги сите безбедносни предупредувања, упатства, слики и спецификации што се обезбедуваат со овој алат. Непочитувањето на сите упатства подолу може да доведе до електричен удар, пожар и/или сериозна повреда..

Чувајте ги сите предупредувања и упатства за понатамошно упатување.

Поимот “електричен алат”, кој се користи во понатамошниот текст, се однесува на вашиот електричен алат (со приклучен кабел) и на електрични алати со погон на батери (без приклучен кабел).

1) БЕЗБЕДНОСТ НА РАБОТНОТО МЕСТО

- a) **Одржувајте го вашето работно место чисто и уредно.** Неуреден или темен работен простор може да предизвикаат незгоди.
- b) **Немојте да работите со уредот во средина во која има опасност од експлозија, во која има запалливи течности, гасови и прашина.** Електричните алати произведуваат искри кои можат да запалат прашина или пара.
- c) **За време на употребата на електричниот алат, децата и останатите лица држете ги подалеку од местото на работите.** Одраќање, би можеле да изгубите контрола врз уредот.

2) ЕЛЕКТРИЧНА СИГУРНОСТ

- a) **Утинач мора да одговара на приклучокот. Никане не смее да се прават измени на штекерот. Не користете адаптерски штекер заедно со уредот кој е заштитно заземјен.** Не променети штекери и соодветни приклучоци го намалуваат ризикот од електричен удар.
- b) **Избегнувајте допир на телото со заземјени површини, како што се цевки, радијатори, рерни и фрижидери.** Постои зголемена опасност од струен удар, доколку Вашето тело е заземјено.
- c) **Чувајте го уредот подалеку од дожд и влага.** Продирањето на вода во електричниот уред ја зголемува опасноста од струен удар.

- d) **Не злоупотребувајте го приклучниот кабел за носење, бесење на уредот или за извлекување на штекерот од мрежниот приклучок. Чувајте го кабелот подалеку од топлина, масло, остри рабови или деловите на апаратот кои се движат.** Оштетени или заплеткани кабли ја зголемуваат опасноста од струен удар.
- e) **Кога го употребувате полначот надвор, користете продолжен кабел кој е соодветен за употреба на отворен простор.** Примената на продолжен кабел соодветен за работа на отворен простор ја намалува опасноста од струен удар.
- f) **Доколку не може да се избегне работа со електричниот алат во влажна средина, користете прекинувач за струјна заштита при технички проблеми.** Употребата на прекинувачот за струјна заштита при технички проблеми го намалува ризикот од електричен удар.

3) ЛИЧНА ЗАШТИТА

- a) **Бидете внимателни, внимавајте што правите и постапувајте внимателно додека работите со електричниот алат. Не работете со уредот доколку сте уморни или под дејство на дрога, алкохол или лекови.** Еден момент на невнимание при употребата може да доведе до сериозни повреди.
- b) **Носете ја личната заштитна опрема и секогаш носете заштитни очила.** Носењето на личната заштитна опрема, како што е маската за прашина, безбедносната облека која не се лизга, заштитен шлем или штитник за слух, зависно од видот и примената на електричниот алат, ја намалува опасноста од повреда.
- c) **Избегнувајте невнимателно вклучување за време на работата. Осигурајте се прекинувачот да биде во “OFF” позиција пред да го ставите штекерот во приклучокот.** Доколку го носите електричниот алат со прстот на прекинувачот или го приклучувате апаратот кој е приклучен со напојување на струја, може да предизвикате незгоди.
- d) **Пред вклучување на уредот, тргнете ги алатите за подесување или клучот за навртување.** Алатот или клучот кој се наоѓа во вртливиот дел на уредот, може да предизвика незгода.
- e) **Не ги преценувајте своите способности.** Воземте сигурен и стабилен став и во секој момент одржувајте рамнотежа. На тој начин можете подобро да го контролирате уредот во неочекувани ситуации.
- f) **Носете соодветна облека. Не носете широка облека или накит. Косата и алиштата треба да бидат подалеку од подвижните делови.** Широката облека, накитот или долгата коса може да се закачат за подвижните делови.
- g) **Доколку може да се монтираат направи за вшмукување и фаќање прашина, проверете дали се вклучени и дали можат исправно да се користат.** Примената на овие направи ја намалува опасноста од прашината.
- h) **Не дозволувајте искуството стеннато со честа употреба на алатите да ве направи спокојни и да ги игнорирате безбедносните принципи при неговото користење.** Невнимателно движење може да предизвика сериозни повреди во дел од секунда.

4) ВНИМАТЕЛНА УПОТРЕБА И РАКУВАЊЕ СО ЕЛЕКТРИЧНИТЕ АЛАТИ

- a) **Не го преоптеретувајте уредот.** При вашата работа користете го предвидениот електричен алат за таа употреба. Со соодветниот електричен алат ќе работите подобро и посигурно во наведената функционална област.
- b) **Не користете електричен алат чиј прекинувач е неисправен.** Електричниот алат кој повеќе не може да се вклучува и исклучува е опасен и мора да се поправи.
- c) **Исклучете го електричниот алат од струја и/или извадете го комплетот со батерии, ако се одделува, пред да правите некакви прилагодувања, менувате дополнителна опрема или да го складирате електричниот алат.** Со овие мерки на внимателност ќе се избегне невнимателното вклучување на уредот.
- d) **Тргнете го електричниот алат кој не го користите од допирот на децата. Не допуштајте работа со уредот на лица кои не се запознаени со него или кои го немаат прочитано ова упатство.** Електричните алати се опасни доколку со нив работат неискусни лица.
- e) **Одржувајте го електричниот алат и дополнителната опрема. Имајте контрола околу тоа дали движечките делови на уредот работат беспрекорно и дали не се заглавени, дали деловите се скршени или оштетени до таа мерка што не може да се обезбеди функционирање на уредот. Пред примената, овие оштетени делови треба да се поправат.** Причина за многу незгоди е лошо одржуваниот електричен алат.
- f) **Алатите за сечење одржувајте ги остри и чисти.** Внимателно одржуваниите алати за сечење со остри очтрици помалку ќе се заглавуваат и со нив работата ќе биде полесна.
- g) **Електричниот алат, прибор, работни алати итн., треба да ги користите според овие упатства, и на начин кој е опишан за соодветниот тип на уред. При тоа, земете ги предвид работните услови и работата која се извршува.** Употребата на електричните алати за други цели кои не се предвидени, може да предизвика опасни ситуации.
- h) **Рачните и површините за држење одржувајте ги суви, чисти и неизмастени.** Рачките и површините за држење што се лизгаат не овозможуваат безбедно ракување и контрола на алатот во неочекувани ситуации.

5) ВНИМАТЕЛНО РАКУВАЊЕ И КОРИСТЕЊЕ НА АПАРАТ СО АКУМУЛАТОР

- a) **Полнете го акумулаторот само во апаратите за полнење кои се пропишани од страна на производителот.** За апаратот за полнење кој е соодветен за определен вид на акумулатори, постои опасност од пожар, доколку се употребува со други акумулатори.
- b) **Користете ги електричните алати само со специфично назначени пакувања на батерии.** Користењето на друг вид на батерии може да доведе до ризик од повреда или пожар.
- c) **Нога батериите не се користат, држете ги настрана од метални предмети како штрафиња, парички, клучеви, клинци, навртки или**

други, мали предмети кои може да направат краток спој. Краткиот спој кај батериите може да предизвика изгореници или пожар.

- d) **При погрешна примена може да излезе течност од акумулаторот; избегнувајте контакт со неа. При случаен контакт, измијте се со вода. Ако течност дојде во допир со очите, побарајте и лекарска помош дополнително.** Течноста која може да излезе од акумулаторот може да доведе до надразнување на кожата и изгореници.
 - e) **Не употребувајте комплет со батерии или алат кој е оштетен или изменет.** Оштетени или изменети батерии може да реагираат непредвидливо и да предизвикаат пожар, експлозија или опасност од повреда.
 - f) **Не го изложувајте комплетот со батерии или алатот на оган или висока температура.** Изложувањето на оган или температура над 130°C може да предизвика експлозија.
 - g) **Следете ги сите инструкции за полнење и не го полнете комплетот со батерии или алатот надвор од температурниот опсег наведен во инструкциите.** Неправилното полнење или на температура надвор од наведениот опсег може да ја оштети батеријата и да ја зголеми опасноста од пожар.
- #### 6) СЕРВИСИРАЊЕ
- a) **Електричниот алат сервисирајте го кај квалификувано лице кое користи само идентични резервни делови.** Со ова се обезбедува безбедно одржување на електричниот алат.
 - b) **Никогаш не поправајте оштетени комплекти со батерии.** Поправката на комплекти со батерии треба да ја врши само производителот или овластен сервис.

БЕЗБЕДНОСНИ УПАТСТВА ЗА ПОВЕЌЕНАМЕНСКИ БЕЗЖИЧНИ АЛАТИ

- **Држете го алатот за изолираните површини за фаќање кога извршувате работа при која што дополнителната опрема за сечење може да дојде во контакт со сокриените жици (ако дополнителната опрема за сечење дојде во контакт со жица под напон може да ги електрифицираат металните делови на алатот и да предизвика електричен удар на операторот)**
- **Користете стегачи или друг практичен начин за да го обезбедите и потпрете парчето за работа на стабилна платформа (парчето за работа е нестабилно ако го држите парчето со рака или потпрено на телото со што може да ја загубите контролата)**

ОПШТИ

- Овој алат не треба да го користат лица под 16 години
- Избегнувајте оштетувања од штрафови, шајки и други предмети во местото каде работите; тргнете ги пред да почнете со работа
- **Не обработувајте нинаков материјал кој содржи азбест** (азбестот важи за предизвикувач на рак)
- Отстранете ја батеријата од алатот пред секое подесување или промена на приборот
- Кога работите, цврсто држете го алатот со двете раце и заземете безбеден став

- Прашината од материјали како боја која содржи олово, некои видови дрво, минерали и метали, може да биде штетна за здравјето (контактот со прашина или нејзиното вдишување може да шредизвика алергии и/или болести на дишните органи за оној кој работи со алатот или луѓето во близина); **носете маска за прашина и работете со правосмукални доколку можете да ги поврзете**
- Некои видови на прашина се канцерогени (како на пример прашина од даб или бука), особено заедно со адитиви за одржување на дрвото; **носете маска за прашина и работете со правосмукални доколку можете да ги поврзете**
- Следете ги процедурите на вашата земја за прашина која се јавува како резултат од материјалите со кои работите
- **Носете заштитни ракавици кога ги менувате додатоците** (контакт со додаток може да доведе до повреда)
- Кога ќе ја завршите работата со алатот, исклучете го моторот и проверете дали сите подвижни делови се застанати

ПРИ ПИЛЕЊЕ/СЕЧЕЊЕ

- **Држете ги рацете подалеку од областа за сечење.** Никогаш не допирајте под материјалот од која било причина додека сечете
- **Користете соодветни детектори за наоѓање на скриени инсталации или повикајте соодветна компанија за помош** (контактот со електричните линии може да доведе до струен удар; оштетувањата во гасоводна цевка може да резултира со експлозија; пенетрирање во водоводна инсталација може да доведе до оштета на предмети или електричен удар)
- Не користете сечиво што е напукнато, деформирано или тапо

ПРИ БРУСЕЊЕ

- **Користете го алатот само за суво брусеење** (навлегувањето на водата во алатот го зголемува ризикот од електричен удар)
- Не допирајте ја брусната хартија која се движи
- Не користете изабени, искинати или хартија со многу налепен слој од брусеење
- При брусеење на метал доаѓа до појава на искри; не користете правосмукалка а останатите лица и запалливи материјали треба да се наоѓаат подалеку од местото каде се работи

АНУМУЛАТОРСКА БАТЕРИЈА

- **Испорачаната батерија е делумно наполнета** (за да се обезбеди целосен капацитет на батеријата, целосно наполнете ја батеријата во полначот на батеријата пред да го употребите вашиот електричен алат за првпат)
- **Користете ги исклучиво следниве батерии и полначи со овој алат**
 - Батерија SKIL: BR1*31****
 - Полнач SKIL: CR1*31****
- Оштетената батерија не треба понатаму да се користи туку да се замени
- Не ја расклопувајте батеријата
- Никогаш не ги изложувајте на дожд алатот/батеријата
- Дозволена температура на околината (алатка/полнач/батерија):
 - при полнење 4...40°C
 - при работа -20...+50°C
 - при складирање -20...+50°C

ОБЈАСНУВАЊЕ НА СИМБОЛИТЕ ЗА АЛАТОТ/БАТЕРИЈАТА

- ③ На овој алат може да се постават вообичаените додатоци за повеќенаменските алати, вклучително и постојните додатоци на OIS и Starlock
- ④ Пред употреба прочитајте го прирачникот за употреба
- ⑤ Во допир со оган батериите ќе експлодираат, затоа не ги палете батериите од која било причина
- ⑥ Секогаш чувајте ги апаратот/полначот/батеријата во простораша на температура пониска од 50°C
- ⑦ Не се ослободувајте од електрични алати и батерии во домашниот отпад

УПОТРЕБА

- Полнење на акумулаторска батерија **! прочитајте ги безбедносните предупредувања и упатствата дадени со полначот**
- Вадење/инсталирање на батеријата ②
- Индикатор за нивото на батеријата ⑧
 - притиснете на индикаторот за нивото на батеријата M за да се прикаже тековното ниво на батеријата ⑧a
 - ! ако по притискање на копчето M ⑧b почне да трепка индикаторот за најниско ниво на батеријата, тогаш батеријата е празна**
 - ! кога ќе почне да трепка индикаторот за нивоата на батеријата 2 по притискање на копчето M ⑧c, батеријата не е во рамките на дозволеният опсег за работна температура**
- ЛЕД-светилки L ⑨
 - ЛЕД-светилката автоматски се пали кога ќе се активира прекинувачот за вклучување/исклучување **! кога трепка ЛЕД-светилката, се активира заштитата на батеријата (види подолу)**
- Заштита на батеријата
 - Алатот наеднаш се исклучува или не може да се вклучи, кога
 - **товарот е преголем** --> отстранете го товарот и почнете повторно
 - **температурата на батеријата не е во рамките на дозволеният опсег на работна температура од -20 до +50°C** --> 2 нивоата на индикаторот за ниво на батеријата почнуваат да трепкаат кога ќе го притиснете копчето M ⑧c; почекајте батеријата да се врати во рамките на дозволеният опсег на работна температура
 - **батеријата е скоро празна (заштита од целосно празнење)** --> на индикаторот за нивото на батеријата ќе се прикаже ниско ниво на батеријата или ќе трепка за ниско ниво на батеријата ⑧b кога ќе притиснете на копчето M; наполнете ја батеријата
 - ! не продолжувајте да притискате на прекинувачот за вклучување/исклучување откако алатот ќе се исклучи автоматски; батеријата ќе се оштети**
- Менување додатоци ⑩
 - ! извадете ја батеријата од машината**
 - извадете/ставајте го потребниот додаток како што е прикажано
 - проверете дали отворите на додатоците ќе се наместат во јазичињата на главата на алатот (можна е секоја позиција за заклучување)

- поставете го додатокот со притиснат центар насочен надолу
- **проверете дали додатокот е правилно поставен** (неправилно или недоволно затегнатите додатоци се разлабавуваат во текот на работата и така претставуваат опасност)
- Вшмукување прашина ¹¹
 - ! **извадете ја батеријата од машината**
 - употребувајте адаптер за извлекување на правот J само кога работите со подлога за брусење E
 - поставете адаптер за правосмукалка J, како што е прикажано
 - поврзете ја правосмукалката
 - ! **не користете уред за вадење прашина/ правосмукалка кога брусите метал**
 - чистете го адаптерот за правосмукалката J редовно за да постигнете оптимално собирање на пращината
- Поставување хартија за брусење ¹²
 - истресете ја пращината од ВЕЛКРО-материјалот на подлошката за брусење E пред да ја ставите хартијата за брусење
 - поставете шмиргла за песнарење од ВЕЛКРО H како што е прикажано
 - ! **вшмукувањето прашина изискува употреба на перфорирани хартии за брусење**
 - ! **перфорацијата на брусната хартија треба да е соодветна на перфорацијата на брусната плоча**
 - ! **навремено заменете ја истрошената брусна хартија**
 - ! **сегош користете го алатот со целата површина од ВЕЛКРО покриена со хартија за брусење**
- Вклучено/Исклучено
 - вклучувајте/исклучувајте го алатот со притискање на прекинувачот C ² во позициите "I"/"O"
 - ! **пред дополнителниот дел да го допре делот за работа, алатот мора да работи со полна брзина**
 - ! **уредот треба да се подигне од работната површина пред тој да биде исклучен**
- Прилагодување на работната брзина ¹³
 - со тркалото D може да се прилагодување потребната осцилаторна фреквенција од најмала (1) до голема (6) (дури и кога алатот работи)
 - оптималната работна брзина зависи од материјалот и може да се одреди преку практични проби
- Држење и насочување на алатот
 - ! **додена работите, сегош држете го алатот за местото (местата) кое (кои) се означени со сива боја ¹⁴**
 - отворите за ладење K држете ги отворени
 - не применувајте премногу притисок врз алатот (прекумерниот притисок ќе предизвика прекумерно загревање и може да го скрати периодот за употреба на додатокот)
- Додаток за прилагодување длабочина (DEPTH STOP) (не се добива заедно со алатот) ¹⁵

СОВЕТИ ЗА ПРИМЕНА

- За оптимални резултати со различни материјали, употребувајте ја табелата ¹⁶ како референца за

одредување на точниот додатен дел (**вклучувајќи ги и нестандартните додатни делови**)

- За повеќе информации видете на www.skil.com

ОДРЖУВАЊЕ/СЕРВИСИРАЊЕ

- Овој алат не е наменет за професионална употреба
- Алатот секогаш да се одржува чист (особено отворите за ладење K ²)
- ! **отстранете ја батеријата од алатот пред чистење**
- Доколку алатот и покрај внимателното работење и контрола некогаш откаже, поправката мора да ја изврши некој овластен SKIL сервис за електрични алати
 - во случај на примедба, испратете го алатот **нерасклопен**, заедно со сметкопотврдата, до вашиот продавач или најблискиот SKIL сервис (адресите се наведени на www.skil.com)
- Имајте предвид дека оштетувањето настанато заради преоптоварување или неправилно ракување со алатот ја отфрла гаранцијата (видете на www.skil.com или прашајте го продавачот за условите на гаранцијата на SKIL)

ЗАШТИТА НА ЖИВОТНАТА СРЕДИНА

- **Не се ослободувајте од електрични алати, батерии, уреди или амбалажа преку нивно фрлање во домашното ѓубре** (само за земјите на EУ)
 - според Европската Директива 2012/19/EC за ослободување од електрична и електронска опрема и нејзина имплементација во согласност со националните закони, електричните алати кои го достигнале крајот на својот животен век мора да бидат собрани посебно и да бидат вратени во соодветен објект за рециклирање
 - симболот ⁷ ќе ве потсетува на ова кога ќе дојде време алатот да го фрлите
- ! **пред да се фрли акумулаторската батерија во отпад, заштитете ги нејзините полови**

БУЧАВА / ВИБРАЦИИ

- Измерено во согласност со EN 62841, нивото на звучен притисок на оваа алатка е 86,5 dB(A) и нивото на звучна моќност 97,5 dB(A) (несигурност K = 3 dB), и вибрацијата * (триакс векторна сума; несигурност K = 1.5 m/s²)
 - * кога чистите < 2,5 m/s²
- Нивото на емитирање на вибрации кое е наведено на задниот дел на ова упатство е измерено во согласност со стандардизираниот тест даден во EN 62841; може да се користи за да се спореди еден алат со друг, и како првична оценка за изложеноста на вибрации кога се користи алатот за споменатите примени
 - користењето на алатот за разни примени, или со различни или неправилно чувани делови, може да доведе до значајно **зголемување** на нивото на изложеност
 - кога алатот е исклучен или кога алатот е вклучен но не врши некаква работа, може да дојде до значително **намалување** на нивото а изложеност

! заштитете се од ефектите на вибрациите преку одржување на алатот и неговите делови, одржување на топлината во вашите раце, и организирање на вашата работа

AL

Mjet multi-funksional me bateri 3650 dhe motor pa karbonçina

HYRJE

- Kjo pajisje është e projektuar për sharrim dhe prerje në dru, plastikë, alçqi, metale dhe pllaka muri të buta, si dhe për smerilimin e thatë dhe gërryerjen e sipërfaqeve të vogla
- Ajo është veçanërisht e përshtatshme për të punuar afër anëve, për prerje me zhytje dhe prerje të rrafshët
- Kjo vegël nuk është e projektuar për përdorim profesional
- Kjo pajisje pranon pjesën më të madhe të aksesorëve të disponueshëm për pajisje shumëfunksionale, duke përfshirë aksesorët ekzistues OIS dhe Starlock ③
- Lexoni dhe ruani këtë manual të përdorimit ④

TË DHËNAT TEKNIKE ①

ELEMENTET E VEGËL ②

- A Levë kapëse
 - B Vida kapëse me rondele
 - C Çelësi i ndezjes/fikjes
 - D Butoni i zgjedhjes së shpejtësisë
 - E Paneli i smerilimit
 - F Lama e sharrës së segmentit
 - G Lama e sharrës për prerje me zhytje
 - H Fletë e smerilimit
 - J Përshtatësi i fshesës me korrent
 - K Të çarat e ajrosjes
 - L Drita LED
 - M Treguesi i nivelit të baterisë
 - N Aksesor për rregullim thellësi *
- * JO STANDARDE E PËRFSHIRË

SIGURIA

PARALAJMËRIME TË PËRGJITHSHME TË SIGURISË PËR PAJISJET ELEKTRIKE

PA PARALAJMËRIM: Lexoni të gjitha paralajmërimet, udhëzimet, ilustrimet dhe specifikimet e dhëna me këtë mjet pune. Mosrespektimi i të gjitha udhëzimeve të renditura më poshtë mund të rezultojë në goditje elektrike, zjarr dhe/ose dëmtime të rënda.

Ruani të gjitha paralajmërimet dhe udhëzimet për referencë në të ardhmen.

Termi "pajisje elektrike" në paralajmërimet i referohet pajisjes elektrike që përdoret nga prizat (me kablo) ose pajisjes elektrike me bateri (pa kablo).

1) SIGURIA E ZONËS SË PUNËS

- a) Mbajeni zonën e punës të pastër dhe të ndriçuar mirë. Zonat e çrregullta ose të errëta janë një ftesë për aksidente.

- b) Mos i përdorni pajisjet elektrike në situata me mundësi shpërthimi, si në prani të lëngjeve, gazeve ose pluhurave të djegshëm. Pajisjet elektrike shkaktojnë shkëndija që mund të ndezin pluhurat ose avujt.
- c) Mbajini fëmijët dhe personat e tjerë larg gjatë përdorimit të veglës së punës. Tërheqja e vëmendjes mund të shkaktojë humbjen e kontrollit.
- 2) SIGURIA ELEKTRIKE
- a) Spinat e veglës së punës duhet të përputhen me prizën. Mos modifikoni kurrë spinën në asnjë mënyrë. Mos përdorni asnjë spinë përshtatëse me veglat e punës me tokëzim. Spinat e pamodifikuara dhe prizat përshtatëse do të zvogëlojnë rrezikun e goditjes elektrike.
- b) Shmangni kontaktin trupor me sipërfaqe të tokëzuara si tuba, radiatorë, soba dhe frigoriferë. Ka një rrezik më të madh të goditjeve elektrike nëse trupi është i tokëzuar.
- c) Mos ekspozoni veglat e punës në shi ose në kushte me lagështi. Uji që hyn në veglën e punës do të rritë rrezikun e goditjes elektrike.
- d) Mos abuzoni me kordonin. Mos e përdorni kurrë kordonin për transportin, tërheqjen ose heqjen e spinës së veglës së punës. Mbajeni kordonin larg nga nxehtësia, vaji, anët e mprehta ose pjesët që lëvizin. Kordonët e dëmtuar ose e bllokuar rrisin rrezikun e goditjes elektrike.
- e) Kur përdorni një vegël pune në mjedise të jashtme, përdorni një kordon zgjatues të përshtatshëm për përdorim në mjedise të jashtme. Përdorimi i një kordonit të përshtatshëm për përdorime në mjedise të jashtme zvogëlon rrezikun e goditjes elektrike.
- f) Nëse përdorimi i veglës së punës në një vend me lagështi është i pashmangshëm, përdorni një automat qarku me shkarkesë me tokëzim. Përdorimi i një automati me shkarkesë me tokëzim zvogëlon rrezikun e goditjes elektrike.
- 3) SIGURIA PERSONALE
- a) Qëndroni në gatishmëri, shikoni se çfarë po bëni dhe përdorni gjykimin kur përdorni një vegël pune. Mos e përdorni një vegël pune kur jeni i lodhur ose nën ndikimin e ilaçeve, alkoolit ose mjekimit. Një moment humbje e vëmendjes gjatë përdorimit të veglave të punës mund të shkaktojë dëmtime të rënda personale.
- b) Përdorni pajisje personale mbrojtëse. Mbani gjithmonë pajisje për mbrojtjen e syve. Pajisjet mbrojtëse si maska kundër pluhurit, këpucët që nuk rrëshqasin, kaskat ose pajisjet për mbrojtjen e veshëve për kushtet përkatëse do të zvogëlojnë dëmtimet personale.
- c) Parandaloni ndezjen e rastësishme. Sigurohuni që çelësi është në pozicionin fikur para se të lidhni burimin e energjisë dhe/ose baterinë, para se të merrni ose të transportoni pajisjen. Transportimi i veglave të punës me gishtin në çelës ose aktivizimi i veglave të punës që kanë çelësin të ndezur është një ftesë për aksidente.
- d) Hiqni çdo çelës ose çelës përshtatës para ndezjes së veglës së punës. Një çelës i lënë i lidhur me një pjesë rrotulluese të veglës së punës mund të shkaktojë dëmtime personale.

- e) **Mos u zgjasni. Mbani një vendosje të mirë të këmbëve dhe një ekuilibër të mirë në çdo moment.** Kjo gjë bën të mundur një kontroll më të mirë të vegjlës së punës në situata të papritura.
- f) **Vishuni në mënyrën e duhur. Mos vishni veshje të gjera ose bizhuteri. Mbani flokët, veshjet dhe dorashkat larg nga pjesët lëvizëse.** Veshjet e gjera, bizhuteritë ose flokët e gjatë mund të kapen nga pjesët në lëvizje.
- g) **Nëse janë ofruar pajisje për lidhjen e pajisjeve të mbledhjes dhe nxjerrjes së pluhurave, sigurohuni që ato të jenë të lidhura dhe të përdoren si duhet.** Përdorimi i mbledhjes së pluhurave mund të zvogëlojë rreziqet në lidhje me pluhurat.
- h) **Mos lejoni që familjarizimi i fituar nga përdorimi i shpeshtë i veglave t'ju lejojë të tregoheni të vetëkënaqur dhe të shpërfillni parimet e sigurisë për pajisjet.** Një veprim i pakujdesshëm mund të shkaktojë dëmtime të rënda në më pak se një sekondë.
- 4) PËRDORIMI DHE KUJDESI PËR VEGLËN E PUNËS**
- a) **Mos ushtroni forcë mbi veglën e punës. Përdorni veglën e punës të duhur për përdorimin tuaj.** Vegla e punës e duhur do të realizojë një punë më të mirë dhe më të sigurt dhe me shpejtësinë që ajo është e projektuar.
- b) **Mos përdorni veglën e punës nëse çelësi nuk e ndez apo e fik.** Çdo vegël pune që nuk mund të kontrollohet me anë të çelësit është e rrezikshme dhe duhet të riparohet.
- c) **Shkëputni spinën nga burimi i energjisë dhe/ose baterinë nga vegla e punës para se të bëni rregullime të tjera, të ndryshoni aksesorët ose të ruani veglat e punës.** Këto masa parandaluese të sigurisë ulin rrezikun e ndezjes aksidentale të vegjlës së punës.
- d) **Mbani veglat e punës larg fëmijëve dhe mos lejoni personat e pamësuar me veglën e punës ose këto udhëzime për përdorimin e pajisjes.** Veglat e punës janë të rrezikshme në duart e përdoruesve të patrajnuar.
- e) **Mirëmbani veglat e punës. Kontrolloni për mospërshtatje ose bllokim të pjesëve lëvizëse, thyerje të pjesëve dhe gjendje të tjera që mund të ndikojnë në funksionimin e vegjlës së punës.** Nëse dëmtohet, riparojeni veglën e punës para përdorimit. Shumë aksidente shkaktohen nga veglat e punës jo të mirëmbajtura si duhet.
- f) **Mbajini pajisjet prerëse të pastra dhe të mprehta.** Pajisjet e prerjes të mirëmbajtura dhe me anë të mprehta kanë më pak mundësi për t'u bllokuar dhe janë më të lehta për t'u kontrolluar.
- g) **Përdorni veglat e punës, aksesorët dhe puntot, etj. në përputhje me këto udhëzime, duke marrë parasysh kushtet e punës dhe punën që do të kryhet.** Përdorimi i veglave për përdorime të ndryshme nga ato të përcaktuara mund të shkaktojë rreziqe.
- h) **Mbajini dorezat dhe sipërfaqet ku mbaheni të thata, të pastra dhe pa vajra ose graso.** Dorezat dhe sipërfaqet ku mbaheni, kur janë të rrëshqitshme, nuk ju lejojnë të menaxhoni dhe ta kontrolloni në mënyrë të sigurt pajisjen në situata të papritura.
- 5) PËRDORIMI DHE KUJDESI PËR VEGLËN ME BATERI**
- a) **Karikojeni vetëm me karikuesin e përcaktuar nga prodhuesi.** Një karikues që është i përshtatshëm për një

- lloj baterie mund të krijojë rrezik për zjarr kur përdoret me një bateri tjetër.
- b) **Përdorni veglat e punës vetëm me bateritë e përcaktuara respektivisht.** Përdorimi i çdo baterie tjetër mund të krijojë rrezik për dëmtime dhe zjarr.
- c) **Kur bateria nuk është në përdorim, mbajeni larg nga objektet e tjera metalike si kapëset e letrës, monedhat, çelësat, gozhdët, vidat ose objektet e tjera të vogla metalike që mund të bëjnë lidhjen e një terminali me terminalin tjetër.** Lidhja e shkurtër e terminalëve të baterisë mund të shkaktojë djegie ose zjarr.
- d) **Në kushte abuzimi, nga bateria mund të rrjedhin lëngje; shmangni kontaktin me to. Në rast se ndodh aksidentalisht kontakti, shpërlajeni me ujë. Në rast se lëngu bie në kontakt me sytë, kërkoni edhe ndihmë mjekësore.** Lëngu i rrjedhur nga bateria mund të shkaktojë acarime ose djegie.
- e) **Mos e përdorni një pako baterish ose një vegël që është e dëmtuar apo e modifikuar.** Bateritë e dëmtuara ose të modifikuara mund të shfaqin sjellje të paparashikuara, duke shkaktuar zjarr, shpërthim ose rrezik për lëndimin tuaj.
- f) **Mos e ekspozoni një pako baterish ose një vegël ndaj zjarrit ose temperaturës shumë të lartë.** Ekspozimi ndaj zjarrit ose një temperature mbi 130°C mund të shkaktojë shpërthim.
- g) **Ndëqni të gjitha udhëzimet për karikimin dhe mos e karikoni pakon e baterive ose veglën jashtë gamës së temperaturës që specifikohet tek udhëzimet.** Karikimi i papërshtatshëm ose në temperatura jashtë gamën së specifikuar mund të dëmtojë baterinë dhe të rritë rrezikun për zjarr.
- 6) SHËRBIMI**
- a) **Shërbimi i vegjlës së punës duhet të kryhet nga një person i kualifikuar për riparimet duke përdorur vetëm pjesë ndërrimi identike.** Kjo gjë do të sigurojë ruajtjen e sigurisë së veglave dhe punës.
- b) **Mos kryeni asnjëherë shërbimin për pakot e baterive.** Shërbimi për pakot e baterive duhet të kryhet vetëm nga prodhuesi ose ofruesit e autorizuar të shërbimit.

UDHËZIME SIGURIE PËR MJETET MULTIFUNKSIONALE PA KABËLL

- **Mbajeni mjetin e punës duke kapur sipërfaqet e izoluar të prekjes kur bëni një punë aty ku aksesori i prerjes mund të bjerë në kontakt me tela të fshehur (aksesorët e prerjes që bien në kontakt me një tel me korrent mund të ekspozojnë pjesët metalike të mjetit të punës në korrent dhe mund t'ju japin përdoruesit një goditje elektrike)**
 - **Përdorni morsa ose mënyra të tjera praktike për të siguruar dhe mbështetur materialin e punës në një platformë të qëndrueshme (mbajtja e materialit me duar ose të mbështetur në trup bën që materiali të mbetet i paqëndrueshëm ose mund të shkaktojë humbje të kontrollit)**
- TË PËRGJITHSHME**
- Kjo pajisje nuk duhet të përdoret nga personat nën moshën 16 vjeç

- Shmangni dëmtimet që mund të shkaktohen nga vidat, gozhdët dhe elementet e tjera në materialin e punës; hiqni ato para se të filloni punën
- **Mos punoni me materiale që përbajnë asbest** (asbesti konsiderohet kancerogjen)
- Hiqeni baterinë nga pajisja para se të bëni ndonjë rregullim ose të ndërtoni ndonjë aksesori
- Kur punoni, mbajeni gjithmonë veglën mirë me të dyja duart dhe mbani një qëndrim të sigurt
- Pluhurat nga materialet si boja me plumb, disa lloje drurësh, mineralesh dhe metalesh mund të jenë të dëmshme (kontakti ose thithja e pluhurave mund të shkaktojë reagime alergjike dhe/ose sëmundje respiratore për përdoruesin ose personat përreth); **mbani një maskë për pluhurat dhe punoni me një pajisje për heqjen e pluhurave kur mund të lidhet**
- Disa lloje pluhurash skanë klasifikuar si kancerogjene (si pluhuri i lisit dhe i ahut) veçanërisht në ndërthurje me lëndët shtesë për kondicionimin e drurit; **mbani një maskë për pluhurat dhe punoni me një pajisje për heqjen e pluhurave kur mund të lidhet**
- Respektoni kërkimet kombëtare në lidhje me pluhurat për materialet me të cilat dëshironi të punoni
- **Përdorni doreza mbrojtëse kur ndërtoni aksesorët** (kontakti me aksesorët mund të shkaktojë dëmtime)
- Kur ta largoni pajisjen, fikeni motorin dhe sigurohuni që të gjitha pjesët lëvizëse të kenë ndalur plotësisht

GJATË SHARRIMIT/PRERJES

- **Mbajini duart larg nga zona e prerjes;** mos u zgjasni kurrë poshtë materialit për asnjë arsye gjatë prerjes
- **Përdorni detektorë përkatës për të gjetur linjat e fshehura të shërbimit ose telefononi kompaninë lokale të shërbimeve për ndihmë** (kontakti me linjat elektrike mund të shkaktojë zjarr ose goditje elektrike; dëmtimi i një linje gazi mund të shkaktojë një shpërthim; shpimi i një tubi uji do të shkaktojë dëmtim të pronës ose një goditje elektrike)
- Mos përdorni një thika sharre që është e krisur, e deformuar ose jo e mprehtë

GJATË SMERILIMIT

- **Përdorni pajisjen vetëm për smerilimin e thatë** (depërtimi i ujit në pajisje rrit rrezikun e goditjes elektrike)
- Mos e prekni fletën e smerilimit në lëvizje
- Mos vazhdoni të përdorni fletat e smerilimit të konsumuara, të çara ose shumë të bllokuara
- Kur smeriloni metale, krijohen shkëndija; mos përdorni fshesë me korrent dhe mbajeni personat e tjera dhe materialet e djegshme larg nga zona e punës

BATERIVE

- **Bateria e dhënë është pjesërisht e karikuar** (për të siguruar kapacitet të plotë të baterisë, karikojeni baterinë plotësisht në karikuesin e baterisë para se ta përdorni mjetin për herë të parë)
- **Përdorni vetëm bateritë dhe karikuesit e mëposhtëm me këtë mjet**
 - Bateria SKIL: BR1*31****
 - Karikues SKIL: CR1*31****
- Mos e përdorni baterinë kur është dëmtuar; ajo duhet ndërruar
- Mos e çmontoni baterinë
- Mos e ekspozoni mjetin/baterinë në shi
- Lejohet temperatura e ambientit (vegël/karikuesin/bateri):
 - kur karikoni 4...+40°C
 - gjatë punës -20...+50°C
 - gjatë magazinimit -20...+50°C

SHPJEGIMI I SIMBOLEVE NË VEGËL/BATERI

- ③ Ky mjet pranon shumicën e veglave multi-mjete të disponueshme, duke përfshirë aksesorët bazë ekzistues IOS dhe Starlock
- ④ Lexoni manualin e udhëzimeve para përdorimit
- ⑤ Bateritë mund të shpërthejnë kur hidhen në zjarr, prandaj mos i digjini bateritë për asnjë arsye
- ⑥ Ruajeni veglën/karikuesin/baterinë në vende ku temperatura nuk do të kalojë 50°C
- ⑦ Mos i hidhni veglat elektrike dhe bateritë së bashku me materialet e mbeturinave familjare

PËRDORIMI

- Karikimi i baterisë
 - ! **lexoni paralajmërimet dhe udhëzimet e sigurisë të dhëna me karikuesin**
- Heqja/instalimi i baterisë ②
- Treguesi i nivelit të baterisë ⑧
 - shtypni butonin tregues të nivelit të baterisë M për të treguar nivelin aktual të baterisë ⑧a
 - ! **kur fillon të pulsojë niveli më i ulët i treguesit të baterisë pasi keni shtypur butonin M ⑧b, bateria është bosh**
 - ! **kur fillojnë të pulsojnë nivelet 2 të treguesit të baterisë pasi keni shtypur butonin M ⑧c, bateria nuk është brenda temperaturës së lejuar**
- Drita LED L ⑨
 - Drita LED ndizet automatikisht kur aktivizoni çelësin On/Off
 - ! **kur drita LED fillon të pulsojë, kjo do të thotë se është aktivizuar mbrojtja e baterisë (shiko më poshtë)**
- Mbrojtja e baterisë
 - Mjeti fiket papritur ose nuk ndizet kur
 - **ngarkesa është shumë e lartë** --> hiqeni ngarkesën dhe ndizeni përsëri
 - **temperatura e baterisë nuk është brenda nivelit të lejuar të temperaturës nga -20 në +50°C** --> 2 nivelet e treguesit të nivelit të baterisë fillojnë të pulsojnë kur shtypni butonin M ⑧c; prisni derisa bateria të jetë brenda temperaturës së lejuar
 - **bateria është thuaje bosh (për t'u mbrojtur nga dëmtimi për shkak të shkarkimit të thellë)** --> niveli i ulët i baterisë ose pulsimi për shkak të nivelit të ulët të baterisë ⑧b tregohet në treguesin e nivelit të baterisë kur shtypni M; karikoni baterinë
 - ! **mos vazhdoni të shtypni çelësin e ndezjes/fikjes pasi pajisja të fiket automatikisht; bateria mund të dëmtohet**
- Ndërimi i aksesorëve ⑩
 - ! **hiqeni gjithmonë baterinë nga vegla**
 - hiqni/montoni aksesorin e duhur si në ilustrim
 - sigurohuni që vrimat e aksesorit aktivizohen në skedat e kokës së pajisjes (çdo pozicion i mundshëm i kapjes)
 - montoni aksesorin me qendrën e shtypur me drejtim poshtë
 - **kontrolloni aksesorin që të jetë i mbështetur mirë** (aksesorët e shtrënguar gabim ose jo në mënyrë të sigurt mund të lirohen gjatë punës dhe të jenë një rrezik)
- Thithja e pluhurave ⑪
 - ! **hiqeni gjithmonë baterinë nga vegla**
 - përdorni adaptor fshese me korrent J vetëm kur punoni me fletë smerilimi E

- montoni përshtatësin e fshesës me korrent J
- lidhni fshesën me korrent
- ! **mos përdorni pajisjen e nxjerrjes së pluhurave/ fshesën me korrent kur smeriloni metale**
- pastroni rregullisht adaptorin e fshesës me korrent J për performancë optimale të thithjes së pluhurit
- Montomi i fletës së smerilimit ⑫
 - shkundni pluhurat nga materiali VELCRO në panelin e smerilimit E para se të montoni fletën e smerilimit
 - montoni fletën e smerilimit VELCRO H si në ilustrim
 - ! **thithja e pluhurave kërkon që të përdoren fletë smerilimi me vrimë**
 - ! **vrimat në fletën e smerilimit duhet të përputhen me vrimat në këmbën e smerilimit**
 - ! **ndërroni fletën e konsumuara të smerilimit në kohën e duhur**
 - ! **përdoreni pajisjen gjithmonë me të gjithë sipërfaqen VELCRO të mbuluar me letër smerilimi**
- Ndezje/Fikje
 - ndizni/fikni pajisjen duke shtyrë çelësin C ② në pozicionin "I"/"O"
 - ! **para se aksesorit të prekë materialin e punës, vegla duhet të punojë me shpejtësi të plotë**
 - ! **para se ta fikni veglën, ju duhet ta ngrini atë nga materiali i punës**
- Rregullimi i shpejtësisë së punës ⑬
 - me anë të çelësit D, frekuenca e duhur e oshilacioneve mund të rregullohet nga e ulët (1) deri në e lartë (6) (edhe kur pajisja është në funksionim)
 - shpejtësia optimale e punës varet nga materiali dhe mund të përcaktohet me prova praktike
- Mbajtja dhe drejtimi i veglës
 - ! **gjatë punës, mbajeni gjithmonë veglën në zonën(at) e dorezës me ngjyrë gri ⑭**
 - mbajeni të çarët e ajrimit K të pambuluara
 - mos ushtroni shumë tryzni mbi pajisje (trysnia e tepërt do të shkaktojë nxehtësi të madhe dhe mund të shkurtojë jetëgjatësinë e përdorimit të aksesorit)
- Aksesor për rregullimin thellësi (DEPTH STOP) (jo standarde e përfshirë) ⑮

KËSHILLË PËR PËRDORIMIN

- Për rezultate optimale në materiale të ndryshme, përdorni tabelën ⑯ si referencë për të përcaktuar aksesorin e duhur (**aksesorët jo standardë të përfshirë**)
- Për më shumë informacion, shikoni www.skil.com

MIRËMBAJTJA / SHËRBIMI

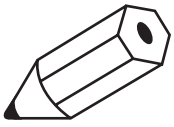
- Kjo vegël nuk është e projektuar për përdorim profesional
- Gjithmonë mbajeni mjetin të pastër (sidomos vrimat e ajrimit K ②)
- ! **hiqeni baterinë nga mjeti para se ta pastroni**
- Nëse pajisja ka defekt pavarësisht kujdesit në prodhim dhe procedurat e provave, riparimi duhet të kryhet nga një qendër e shërbimit pas shitjes për veglat e punës të SKIL
 - dërgoni veglën të çmontuar së bashku me vërtetimin e blerjes te shitësi ose te qendra më e afërt e shërbimit e SKIL (adresat si dhe diagrami i shërbimit i veglës janë të paraqitura në www.skil.com)
- Kini parasysh se dëmtimet për shkak të mbingarkesës ose manovrimit të papërshtatshëm të veglës janë të përjashtuara nga garancia (për kushtet e garancisë së SKIL vizitoni www.skil.com ose pyetni shitësin tuaj)

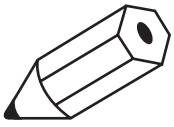
MJEDISI

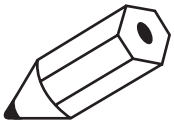
- **Mos i hidhni veglat elektrike, bateritë, aksesorët dhe paketimin së bashku me materialet e mbeturinave familjare** (vetëm për vendet e BE-së)
 - në respektim të Direktivës evropiane 2012/19/EC për pajisjet elektrike dhe elektronike si mbejtje dhe zbatimin e saj në përputhje me ligjet kombëtare, pajisjet elektrike që kanë arritur në fund të jetëgjatësisë së tyre duhet të mblihdhen të ndara dhe të kthehen në një objekt riciklimi në përputhje me mjedisin.
 - simboli ⑦ do t'ju kujtojë për këtë gjë kur të jetë nevoja për t'i hedhur
 - ! **para hedhjes mbroni terminalet e baterisë me ngjytës të fortë për të parandaluar qarkun e shkurtër**

ZHURMA / VIBRIMI

- I matur sipas EN 62841, niveli i presionit të zhurmës së këtij mjeti është 86,5 dB(A) dhe niveli i fuqisë së zhurmës 97,5 dB(A) (pasiguria K = 3 dB), dhe dridhja * (shuma e vektorit triax; pasiguria K = 1.5 m/s²)
 - * gjatë smerilimit < 2,5 m/s²
- Niveli i emetimit të vibrimit është matur në përputhje me një provë të standardizuar të dhënë në EN 62841; ajo mund të përdoret për të krahasuar një vegël me një tjetër dhe si një vlerësim paraprak i ekspozimit ndaj vibrimit kur përdorni pajisjen për proceset e përmendura
 - përdorimi i pajisjes për procese të ndryshme, ose me aksesorë të ndryshëm dhe të mirëmbajtur keq, mund të rritë ndjeshëm nivelin e ekspozimit
 - kohët kur pajisja është e fikur dhe kur është e ndezur por jo në punë, mund të zvogëlojnë ndjeshëm nivelin e ekspozimit
 - ! **mbroni veten nga efektet e vibrimit duke mirëmbajtur pajisjen dhe aksesorët e saj, duke i mbajtur duart e ngrrohta dhe duke organizuar mënyrën tuaj të punës**







- روشن/خاموش
- ابزار را با فشار دادن کلید C ① به وضعیت "O"/"I" روشن/خاموش کنید
- ! ابزار باید پیش از اینکه متعلقات به قطعه کار برسد، به دور کامل خود رسیده باشد
- ! ابزار را باید قبل از خاموش کردن از روی قطعه کاری برداشت
- تنظیم سرعت کار ③
- با کلید الکترونیکی D می توان فرکانس نوسان مورد نیاز را از حد کم (1) تا زیاد (1) تنظیم کرد (حتی موقعی که ابزار در حال کار است)
- دور بهینه به نوع مواد بستگی داشته و با آزمایش های عملی مشخص می گردد
- نگهداشتن و هدایت ابزار
- ! هنگام کار باید همیشه ابزار را از دستگیره (های) خاکستری رنگ بگیرید

- ⑭
- شیارهای تهویه K را مسدود نکنید
- فشار بیش از حد به ابزار وارد نکنید (فشار بیش از حد گرمای زیادی تولید کرده و عمر مفید متعلقات را کاهش خواهد داد)
- وسیله تنظیم عمق (DEPTH STOP) (غیر استاندارد گنجانده شده) ⑮

توصیه های کاربردی

- برای بدست آوردن بهترین نتیجه روی مواد مختلف از جدول ⑪ بعنوان مرجع برای تعیین متعلقات صحیح استفاده کنید (متعلقات بطور استاندارد همراه ابزار نیستند)
- برای اطلاعات بیشتر به www.skil.com مراجعه کنید

نگهداری / سرویس- خدمات

- این ابزار برای مصارف حرفه ای مناسب نیست
- همیشه ابزار را تمیز نگه دارید (مخصوص شیارهای تهویه K ①)
- ! پیش از تمیز کردن باید باتری را از ابزار جدا کنید
- اگر ابزار علیرغم تمام دقت و مراقبتی که در فرایندهای تولید و تست بکار برده شده از کار افتاد، تعمیرات باید فقط در مراکز خدمات پس از فروش ابزارهای برقی SKIL انجام شود
- ابزار را بصورت باز نشده همراه با رسید خرید به فروشنده یا نزدیک ترین مرکز خدمات رسانی SKIL بفرستید (آدرسها به همراه نمودار نقشه های سرویس ابزار در www.skil.com موجود است)
- توجه داشته باشید که خرابی و خسارت ناشی از اضافه بار یا کار کردن نادرست با ابزار مشمول ضمانت نخواهند بود (برای آگاهی از شرایط ضمانت SKIL به نشانی www.skil.com مراجعه کرده یا از فروشنده خود سوال کنید)

محیط زیست

- ابزارهای برقی، باتری ها، لوازم و بسته بندی آنها را نباید همراه با زباله های عادی خانگی دور انداخت (فقط مخصوص کشورهای عضو اتحادیه اروپا)
- با توجه به مصوبه اروپایی EC/19/2012 اروپا درباره لوازم برقی و الکترونیکی مستعمل و اجرای این مصوبه مطابق با قوانین کشوری، ابزارهای برقی که به پایان عمر مفید خود رسیده اند باید جداگانه جمع آوری شده و به یک مرکز بازیافت مناسب و سازگار با محیط زیست انتقال یابند
- نماد علامت ♻ یادآور این مسئله در هنگام دور انداختن است
- ! قبل از دور انداختن باتری حتماً باید روی پایانه های باتری را با نوار چسب سنگین بپوشانید تا اتصال کوتاه نکند

صدا / ارتعاشات

- بر طبق اندازه گیری های انجام شده بر اساس استاندارد EN 62841، میزان فشار صوتی این ابزار 81,5 دسی بل و میزان توان صوتی آن 9۷,۵ دسی بل (عدم قطعیت $K = 3$ دسی بل)، و میزان ارتعاشات آن * (جمع بردارهای سه جهت: عدم قطعیت $K = 1,5$ متر/مجدور ثانیه) می باشد
- * در صورت سنجیده زنی $> 3,5$ متر/مجدور ثانیه
- میزان انتشار ارتعاشات بر اساس تست استاندارد شده ای که در EN 62841 معرفی شده است اندازه گیری گردید؛ از این ارقام می توان برای مقایسه یک ابزار با دیگری و بعنوان ارزیابی اولیه در معرض قرارگیری ارتعاشات هنگام کار با ابزار در کاربری های فوق استفاده کرد
- استفاده کردن از ابزار برای کاربردهای متفاوت، یا با لوازم و متعلقات متفاوتترقه یا لوازم و متعلقاتی که بد نگهداری شده اند، می تواند میزان در معرض قرارگیری را بطور قابل ملاحظه ای افزایش دهد

- ۱) ایمنی محل کار
 ۱) محل کار خود را تمیز، مرتب و مجهز به نور کافی نگهدارید. محیط کار نامرتب و کم نور می‌تواند باعث سوانح کاری شود.
 ب) با ابزار الکتریکی در محیط‌هایی که در آن خطر انفجار وجود داشته و حاوی مایعات، گازها و غبارها و محترقه باشد، کار نکنید. ابزارهای الکتریکی جرقه‌های ایجاد می‌کنند که می‌تواند باعث آتش گرفتن گرد و بخارهای موجود در هوا شوند.
 ت) هنگام کار با ابزار الکتریکی، کوهکان و سایر افراد را از دستگاه دور نگهدارید. در صورتیکه حواس شما پرت شود، ممکن است کنترل دستگاه از دست شما خارج شود.
 ۲) ایمنی الکتریکی
 ۱) دوشاخه ابزار الکتریکی باید با پریز برق تناسب داشته باشد. هیچگونه تغییری در دوشاخه ندهید. مبدل دوشاخه نباید همراه با ابزار الکتریکی دارای اتصال به زمین (ارت شده) استفاده شود. مبدل دوشاخه نباید همراه با ابزار الکتریکی دارای اتصال به زمین (ارت شده) استفاده شود.
 ب) از تماس بدنی با قطعات دارای سیم اتصال به زمین (ارت شده) مانند لوله، شلوفاز، احاط برق و بخچال خود داری کنید. در صورتیکه بدن شما با سیم دارای اتصال به زمین (ارت شده) تماس پیدا کند، خطر برق‌گرفتگی بیشتر خواهد شد.
 ت) دستگاه را از باران و رطوبت دور نگهدارید. نفوذ آب به ابزار الکتریکی، خطر شوک الکتریکی را افزایش می‌دهد.
 ث) از سیم به درستی استفاده کنید. از سیم دستگاه برای کارهایی چون حمل ابزار الکتریکی، آویزان کردن آن و یا خارج کردن دوشاخه از برق استفاده نکنید. دستگاه را در مقابل حرارت، روغن، لیه‌های تیز و بخش‌های متحرک دستگاه دور نگهدارید. کابل‌های آسیب دیده و یا گره خورده خطر شوک الکتریکی را افزایش می‌دهند.
 ج) در صورتیکه با ابزار الکتریکی در محیط باز کار می‌کنید، تنها از کابل را بطی استفاده کنید. به برای محیط باز نیز مناسب باشد. کابل‌های رابط مناسب برای محیط باز خطر برق‌گرفتگی را کم می‌کنند.
 ح) در صورت لزوم کار با ابزار الکتریکی در محیط و اماکن مرطوب، در اینصورت باید از یک کلید حفاظتی جریان خطا و نشستی زمین (کلید قطع کننده اتصال یا زمین) استفاده کنید. استفاده از کلید حفاظتی جریان خطا و نشستی زمین خطر برق‌گرفتگی را کمتر می‌کند.
 ۳) رعایت ایمنی اشخاص
 ۱) حواس خود را خوب جمع کنید. به کار خود دقت کنید و با فکر و هوش کامل با ابزار الکتریکی کار کنید. در صورت خستگی و یا صورتیکه مواد مخدر، الکل و دارو استفاده کرده‌اید، با ابزار الکتریکی کار نکنید. یک خطه بی توجهی هنگام کار با ابزار الکتریکی، می‌تواند جراحات‌های شدیدی به همراه داشته باشد.
 ب) همواره از تجهیزات ایمنی شخصی استفاده کنید. همواره از عینک ایمنی استفاده کنید. استفاده از تجهیزات ایمنی مانند ماسک ایمنی، کفش‌های ایمنی ضد لغزش، کلاه ایمنی و گوشی ایمنی متناسب با نوع کار با ابزار الکتریکی، خطر مچرج شدن را تقلیل می‌دهد.
 ت) مواظب باشید که ابزار الکتریکی بطور ناخواسته بکار نیفتد. قبل از وارد کردن دوشاخه دستگاه در پریز برق، اتصال آن به باطری، برداشتن آن و یا حمل دستگاه، باید دقت کنید که ابزار الکتریکی خاموش باشد. در صورتیکه هنگام حمل دستگاه انگشت شما روی دکمه قطع و وصل باشد و یا دستگاه را در حالت روشن به برق بزنید، ممکن است سوانح کاری پیش آید.
 ث) قبل از روشن کردن ابزار الکتریکی، باید همه ابزارهای تنظیم کننده و آچارها را از روی دستگاه بردارید. ابزار آچارهایی که روی بخش‌های چرخنده دستگاه قرار دارند، می‌توانند باعث ایجاد جراحات شوند.
 ج) پیش از حد به آنها نزدیک نشوید. برای کار جای مطمئنی برای خود انتخاب کرده و تعادل خود را همواره حفظ کنید. به این ترتیب می‌توانید ابزار الکتریکی را در وضعیت‌های غیر منتظره بهتر تحت کنترل داشته باشید.
 ح) لباس مناسب بپوشید. از پوشیدن لباس‌های فراخ و حمل زینت آلات خود داری کنید. موها، دستکش‌ها را از این بخش‌های درحال چرخش دستگاه دور نگهدارید. لباس‌های فراخ، موی بلند و زینت آلات ممکن است در قسمت‌های درحال چرخش دستگاه گیر کنند.
 خ) در صورتیکه می‌توانید وسایل مکش گرد و غبار و یا وسیله جذب زائده را به دستگاه نصب کنید. باید مطمئن شوید که این وسایل نصب و درست استفاده می‌شوند. استفاده از وسایل مکش گرد و غبار مصونیت شما را در برابر گرد و غبار زیاد تر می‌کند.
 د) اجازه ندهید آشنایی و تسلط حاصل از استفاده مکرر از ابزارها باعث شود احساس نیاز به رعایت قواعد نکرده و به قوانین ایمنی ابزار بی توجهی کنید یک عمل از روی بی‌دقتی می‌تواند در کسری از ثانیه موجب جراحات شدید شود
- ۴) استفاده صحیح از ابزار الکتریکی و مراقبت از آن
 ۱) از وارد کردن فشار زیاد روی دستگاه خود داری کنید. برای هر کاری، از ابزار الکتریکی مناسب با آن استفاده کنید. بکار گرفتن ابزار الکتریکی مناسب باعث می‌شود که بتوانید از توان دستگاه بهتر و با اطمینان بیشتر استفاده کنید.
 ب) در صورت ایراد در کلید قطع و وصل باطری برقی، از دستگاه استفاده نکنید. ابزار الکتریکی که نمی‌توان آنها را قطع و وصل کرد، خطرناک بوده و باید تعمیر شوند.
 ت) قبل از تنظیم ابزار الکتریکی، تعویض متعلقات و یا کنار گذاشتن آن، دوشاخه را از برق کشیده و یا باطری آنرا خارج کنید. رعایت این اقدامات پیشگیری ایمنی از راه افتادن ناخواسته ابزار الکتریکی جلوگیری می‌کند.
 ث) ابزار الکتریکی را در صورت عدم استفاده، از دسترس کودکان دور نگهدارید. اجازه ندهید که افراد نا وارد و یا اشخاصی که این دفتر چه راهنما را نخوانده اند، با این دستگاه کار کنند. فرار گرفتن ابزار الکتریکی در دست افراد ناوارد و بی تجربه خطرناک است.
 ج) از ابزار الکتریکی خوب مراقبت کنید. مواظب باشید که قسمت‌های متحرک دستگاه خوب کار کرده و گیر نکنند. همچنین دقت کنید که قطعات ابزار الکتریکی شکسته و یا آسیب دیده نباشند. قطعات آسیب دیده را قبل از شروع به کار تعمیر کنید. علت بسیاری از سوانح کاری، عدم مراقبت کامل از ابزارهای الکتریکی می‌باشد.
 ح) ابزار پریش را نیز و تمیز نگهدارید. ابزار پریشی که خوب مراقبت شده و از لیه‌های تیز برخوردارند، کمتر در قطعه کار گیر کرده و بهتر قابل هدایت می‌باشند.
 خ) ابزارهای الکتریکی، متعلقات، ابزاری که روی دستگاه نصب می‌شوند و غیره را مطابق دستورالعمل این جزوه راهنما طوری به کار گیرید که با مدل این دستگاه تناسب داشته باشند. همچنین به شرایط کاری و نوع کار توجه کنید. کاربرد ابزار برقی برای موارد کاری که برای آن در نظر گرفته نشده است. می‌تواند شرایط خطرناکی را منجر شود.
 د) دسته‌ها و سطوح دستگیره‌ها را خشک، تمیز و عاری از روغن و گریس نگه دارید. با دسته‌ها و سطوح دستگیره‌های لیز نمی‌توان در شرایط غیرمنتظره بطور ایمن با ابزار کار کرد و کنترل آنرا داشت
 ۵) مراقبت و طرز استفاده از ابزارهای شارژی
 ۱) باطری‌ها را منحصراً در دستگاه‌های شارژر کنید که توسط سازنده توصیه شده باشند. در صورتیکه برای شارژ باطری، آنرا در شارژری قرار دهید که برای آن باطری ساخته نشده است. خطر آتش‌سوزی وجود دارد.
 ب) در ابزار آلات الکتریکی، فقط از باطری‌هایی استفاده کنید که برای آن در نظر گرفته شده‌اند. استفاده از باطری‌های متفرقه می‌تواند منجر به جراحات و حریق گردد.
 ت) در صورت عدم استفاده از باطری باید آنرا از گیره‌های فلزی، سکه، کلید، میخ، پیچ و دیگر وسایل کوچک فلزی دور نگه دارید، زیرا این وسایل ممکن است باعث ایجاد اتصالی شوند. ایجاد اتصالی بین دو قطب باطری (ترمنال‌های باطری) می‌تواند باعث سوختگی و ایجاد حریق شود.
 ث) استفاده بی‌رویه از باطری می‌تواند باعث خروج مایعات از آن شود. از دست زدن به آن خود داری کنید. در صورت تماس اتفاقی با آن، دست خود را با آب بشوئید. در صورت آلوده شدن چشم با این مایع، باید به پزشک مراجعه کنید. مایع خارج شده از باطری می‌تواند باعث التهاب پوست و سوختگی شود.
 ج) اگر یک بسته باطری یا ابزار آسیب دیده یا دستکاری شده‌اند، نباید از آنها استفاده کنید. باطری‌های آسیب دیده یا دستکاری شده ممکن است کارکرد غیرقابل پیش‌بینی داشته و منجر به آتش‌سوزی یا انفجار شده و یا خطر جراحات ایجاد کنند.
 ح) یک بسته باطری یا ابزار را در معرض آتش یا دماهای خیلی زیاد قرار ندهید. قرار دادن در معرض آتش یا دمای بالاتر از ۳۰۰ درجه سانتیگراد می‌تواند باعث انفجار گردد.
 خ) تمام دستورالعمل‌های شارژر را رعایت کرده و بسته باطری یا ابزار را در خارج از محدوده دمای ذکر شده در راهنما شارژر نکنید. شارژ نادرست یا شارژ کردن در دماهای خارج از محدوده ذکر شده می‌تواند به باطری آسیب رسانده و خطر آتش‌سوزی را بالا ببرد.
 ۶) سرویس
 ۱) برای تعمیر ابزار الکتریکی فقط به متخصصین حرفه‌ای رجوع کرده و از وسایل یدکی اصل استفاده کنید. این باعث خواهد شد که ایمنی دستگاه شما تضمین گردد.
 ب) هرگز بسته‌های باطری آسیب دیده را سرویس نکنید. عملیات سرویس بسته‌های باطری باید فقط توسط سازنده یا مراکز خدماتی مجاز انجام شود.

• شطف الغبار ⑪

- ! قم بإزالة البطارية من الأداة
- قم باستخدام مهابان المنكسة الكهربائية ل فقط أثناء العمل بلوحة الصنفرة E
- ركب مهابان المنكسة الكهروب لكما هو موضح:
- وصل المنكسة الكهربائية
- ! لا تستخدم جهاز شطف الغبار/المنكسة الكهربائية عند صنفرة المعادن
- نظّف مهابان المنكسة الكهربائية ل بانتظام للحصول على أداء مثالي لالتقاط الغبار

• تركيب لوح الصنفرة ⑫

- انض الغبار عن مادة فلكرمو على ورقة الصنفرة E قبل تركيب لوح الصنفرة
- قم بتثبيت لوح صنفرة فلكرمو H كما هو موضح في الشكل
- يتطلب شطف الأتربة استخدام ألواح صنفرة مثقوبة
- ! يجب أن تتوافق ثقوب ألواح الصنفرة مع الثقوب الموجودة في طرف الصنفرة
- ! قم باستبدال ألواح الصنفرة التالفة في الحال
- ! استخدم دوما الأداة مع سطح فلكرمو مغطى بالكامل بورق صنفرة التشغيل/إيقاف التشغيل

- قم بتشغيل/إيقاف تشغيل الأداة من خلال دفع المفتاح C ① إلى الوضع "تشغيل"/"إيقاف تشغيل"

- ! قبل ملامسة المحق لقطعة العمل، يجب أن تعمل الأداة بسرعتها الكاملة:

- ! قبل إيقاف تشغيل الأداة، يجب أن ترفعها عن قطعة العمل:

- ضبط سرعة العمل ⑬
- باستخدام العجلة D يمكن ضبط تردد التذبذب المطلوب من منخفض (1) إلى مرتفع (1) (أيضاً أثناء تشغيل الأداة)
- تتوقف سرعة العمل المثالية على المادة ويمكن تحديدها بالتجربة العملية:
- إمساك الأداة وتوجيهها
- ! أثناء العمل، امسك الأداة دائماً من منطقة (مناطق) المقبض رمادية اللون ⑭:

- احرص على أن تكون فتحات التهوية K غير مغطاة:
- لا تضغط بشدة على الأداة (سيؤدي الضغط المفرط إلى الارتفاع المفرط في درجة الحرارة وقد يتسبب في انخفاض العمر الافتراضي للملحق)
- ملحق ضبط العمق (DEPTH STOP) (لا يتوفر قياسياً مع الأداة) ⑮

توصيات الاستخدام

- للحصول على أفضل نتائج على المواد المختلفة قم باستخدام الجدول ⑯ كمرجع لتحديد الملحق الصحيح (لا تتوفر للملحقات قياسياً)
- لمزيد من المعلومات زر موقعنا www.skil.com

الصيانة / الخدمة

- لم يتم تصميم هذه الأداة للاستخدام الاحترافي:
- احرص دائماً على نظافة الأداة (وخصوصاً فتحات التهوية K ⑰)
- ! أزل البطارية من الأداة قبل التنظيف
- إذا تعذر تشغيل الأداة على الرغم من الحذر الشديد في إجراءات التصنيع والاختبار، فيجب القيام بالإصلاحات بواسطة مركز خدمة ما بعد البيع لأدوات الطاقة التابع لشركة SKIL:
- قم بإرسال الأداة دون تفكيكها بالإضافة إلى إثبات الشراء إلى البائع أو أقرب محطة خدمة SKIL (التعاونيين بالإضافة إلى مخطط الخدمة متاحان على www.skil.com)
- كن على علم بأن التلف الناتج عن زيادة التحميل أو التعامل مع الأداة بطريقة خاطئة سيتم استثناءه من الضمان (لعرفة شروط ضمان SKIL انظر www.skil.com أو قم بسؤال بائع المعدات)

البيئة المحيطة

- لا تتخلص من الأدوات الكهربائية والبطاريات والملحقات ومواد التغليف مع النفايات المنزلية (دول الاتحاد الأوروبي فقط):
- وفقاً للتوجيه الأوروبي 2012/EC حول نفايات المعدات الكهربائية والإلكترونية وتطبيقه بالتوافق مع القانون المحلي، يجب جمع الأدوات الكهربائية منتهية الصلاحيه بشكل منفصل وإرسالها إلى أحد منشآت إعادة التصنيع المتوافقة مع البيئة
- سيدكرت الرمز ⑱ بهذا عند الحاجة إلى التخلص من أية أداة:
- ! قبل التخلص من البطارية، قم بحماية الأطراف بشرط قوي لمنع حدوث دارة قصيرة

الضوضاء / الاهتزاز

- عند القياس بالتوافق مع EN 12841 يكون مستوى ضغط صوت هذه الأداة هو 81,5 ديسيبل (A) ومستوى صوت الطاقة 97,5 ديسيبل (A) (الاحتمالية K = 3 ديسيبل).
- والاهتزاز * (مجموعة الكميات الوجيهة: الاحتمالية K = 1,0 م/ث²)

* أثناء الصنفرة > 2,5 م/ث²

- تم قياس مستوى الاهتزازات بالتوافق مع الاختبار المعياري المحدد في EN 12841: يمكن استخدامه لمقارنة أداة بأداة أخرى وتقييم تمهيدي للتعرض للاهتزاز عند استخدام الأداة في التطبيقات الموضحة:
- قد يؤدي استخدام الأداة في تطبيقات مختلفة أو مع ملحقات مختلفة أو ذات صيانة رديئة إلى زيادة مستوى التعرض بصورة كبيرة:
- إن الفترة الزمنية التي يتم خلالها إيقاف تشغيل الأداة أو عندما تكون قيد التشغيل لكنها لا تؤدي أية مهام، تؤدي إلى تقليل مستوى التعرض بصورة كبيرة:
- ! قم بحماية نفسك من تأثيرات الاهتزاز من خلال صيانة الأداة وملحقاتها، والحفاظ على يدك دافئتين وتنظيم أحمال العمل لديك:

FA

315 • يزياش سل شارب هروطنم دنج رازبا

مقدمه

- اين ايزار برى اره كارى و برش جوب، بلاستيک، گچ، فلزاتى و کامشى هاى نرم ديوارى و نيز سنبنده زنى خشک و تراشيدن سطوح کوچک طراخى شده است
- على الخصوص برى كار در نزديكى لبه ها، برى برش عمقى و برى برش همسطح مناسب مى باشد
- اين ايزار برى مصارف حرفه اى مناسب نيست
- اين ايزار مى تواند با اكثر متعلقات موجود برى ايزارهاى جندمنظوره، از جمله OIS و Starlock لوازم جانبى ⑲
- لطفاً اين دفترچه راهنما را مطالعه کرده و نگهداريد ⑳

① اطلاعات فنى

اجزاي ايزار ⑲

- A اهرم جيره
 - B پيچ جيره و اشر دار
 - C كليد روشن/خاموش
 - D كليد گردان انتخاب سرعت
 - E صفحه سنبنده
 - F تيغه اره قطعه اى
 - G تيغه اره برش عمقى
 - H صفحه سنبنده
 - J مبدل جاروبرقى
 - K شياهرى تهويه
 - L چراغ DEL
 - M نشانگر شارژ باترى
 - N وسيله تنظيم عمق *
- * بصورت استاندارد ارائه نشده است

ايمنى

راهنمايى هاى ايمنى عمومى برى ايزارهاى الكتريكى

FA هشدار تمامى هشدارهاى ايمنى، دستورالعمل ها، تصاوير و مشخصات فنى ارائه شده همراه با اين ايزار الكتريكى را مطالعه كنيد در صورت رعايت هشدارهاى زير خطر برق گرفتگى، آتش سوزى و/يا بروز جراحت هاى شديد وجود خواهد داشت.

همه هشدارها و راهنمايى ها را برى استفاده آتى نگهدارى كنيد.

در اين هشدارها عبارات "ايزار الكتريكى" به معنى ايزارهاى الكتريكى فاقد باترى (با سيم برق) و يا ايزارهاى الكتريكى باترى دار (شارژر) است

أشرف نودب و كل س نودب في أظول أ ددع تم قأد ٣١٥٠

مقدمة

- هذه الأداة مخصصة لنشر وقطع الخشب والبلاستيك والصلصات والمعادن وبلاط الجدران العقيق وكذلك للصفرة الجافة وكشط الأسطح الصغيرة
- تعتبر مناسبة بشكل خاص للعمل بالقرب من الحواف ولقطع الغطس والقطع العنيف
- لم يتم تصميم هذه الأداة للاستخدام الاحترافي:
- هذه الأداة تتوافق مع معظم الملحقات للأدوات المتعددة المتاحة. بما في ذلك الحالية
- ملحقات Starlock و OIS
- اقرأ دليل التعليمات هذا واحتفظ به ④

١ البيانات الفنية

مكونات الأداة ٢

- | | |
|---|---------------------------|
| A | ذراع تثبيت |
| B | برغي قشط مع فلكة |
| C | مفتاح التشغيل/إيقاف |
| D | عجلة خديب السرعة |
| E | ورقة صفرة |
| F | نصل منشار قطعي |
| G | نصل منشار قطع الغطس |
| H | لوح صفرة |
| J | مهاين الكمنسة الكهربائية: |
| K | فحات التهوية |
| L | Mصباح DEL |
| M | مبين مستوى البطارية |
| N | ملحق ضبط العمق * |
- * لا يتوفر قسياً مع الأداة

أمان

خذيرات السلامة العامة للأداة الكهربائية

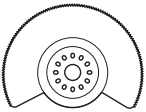
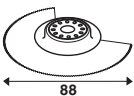

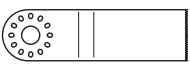
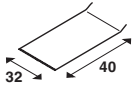

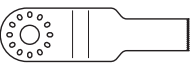
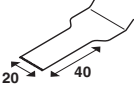

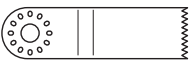
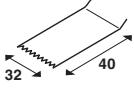


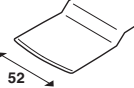





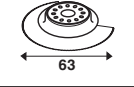

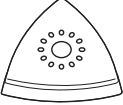

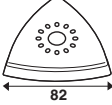


أ خذير اقرأ كل خذيرات السلامة والتعليمات والأشكال الإيضاحية والمواصفات المرفقة مع هذه الأداة الكهربائية فقد يؤدي الإخفاق في الالتزام بكل التعليمات المبينة فيما يلي إلى التعرض لصدمة كهربائية وأو حرق وأو إصابة خطيرة:

احتفظ بكل التحذيرات للرجوع إليها في المستقبل

التحذيرات إلى الأداة الكهربائية الخاصة بك التي « الأداة الكهربائية » يشير المصطلح تعمل بطاقة المأخذ الرئيسي) باستخدام سلك (أو بطاقة البطارية)بدون سلك:

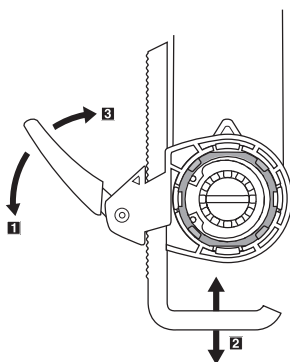
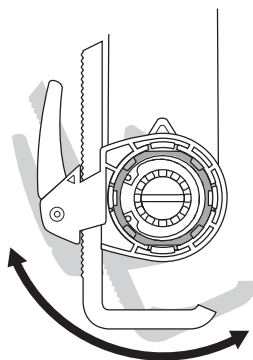
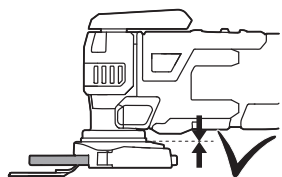
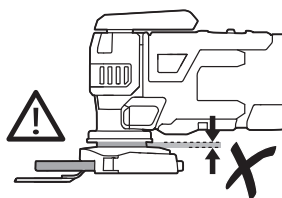
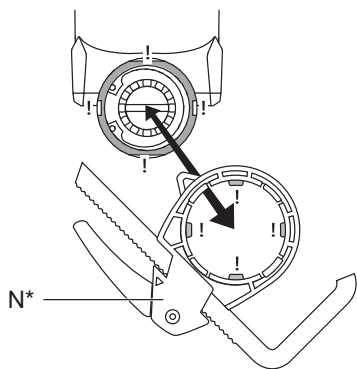
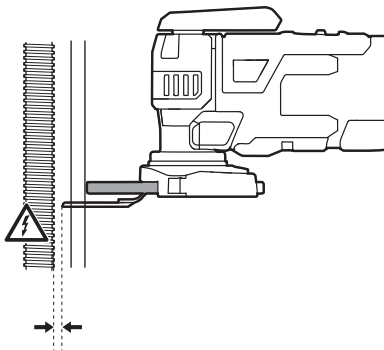
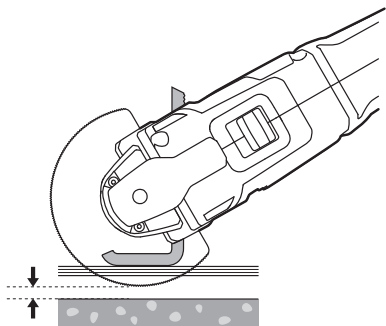
- الأمان يمكن الشغل
- أ) حافظ على نظافة وحسن إضاءة مكان شغلك. الفوضى في مكان الشغل ومجالات العمل الغير مضادة قد تؤدي إلى حدوث الحوادث.
- ب) لا تشغل بالعدة الكهربائية في محيط معرض لخطر الانفجار والذي تتوفر فيه الوسائل أو الغازات أو الأبخرة القابلة للاشتعال. العدد الكهربائي تشكل الشرر الذي قد يتطاير فيشعل الأبخرة والأخيرة.
- ت) حافظ على بقا الأطفال وغيرهم من الأشخاص على بعد عندما تستعمل الأداة الكهربائية. قد تفقد السيطرة على الجهاز عند التلهي.
- ٢) الأمان الكهربائي
- أ) يجب أن يتلامس قابس وصل الأداة الكهربائية مع المقبس. لا يجوز تغيير القابس بأي حال من الأحوال. لا تستعمل القوابس المهيانة مع العدد الكهربائي المؤرثة تاريخ وقائي. تخفف القوابس التي لم يتم تغييرها والمقابس الملائمة من خطر الصدمات الكهربائية.
- ب) تجنب ملامسة السطوح المؤرثة كالألبيوب ورايديوتات التدفئة والمدافي أو البرادات بواسطة جسمك. يزداد خطر الصدمات الكهربائية عندما يكون جسمك موزر.
- ت) أبعد الأداة الكهربائية عن الأمطار والرطوبة. يزداد خطر الصدمات الكهربائية إن تسرب الماء إلى داخل الأداة الكهربائية.

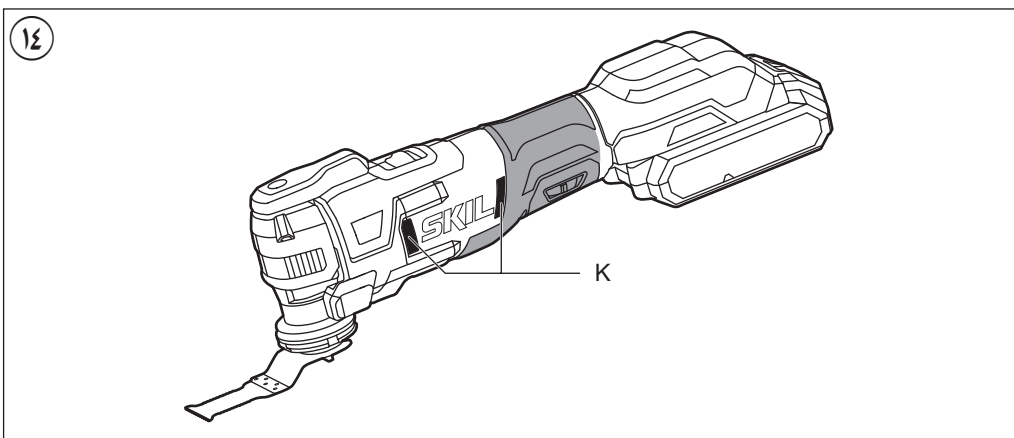
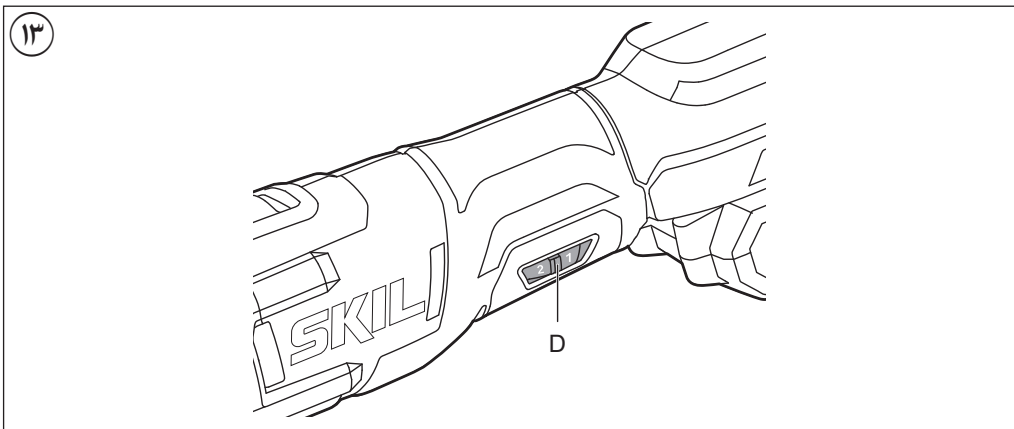
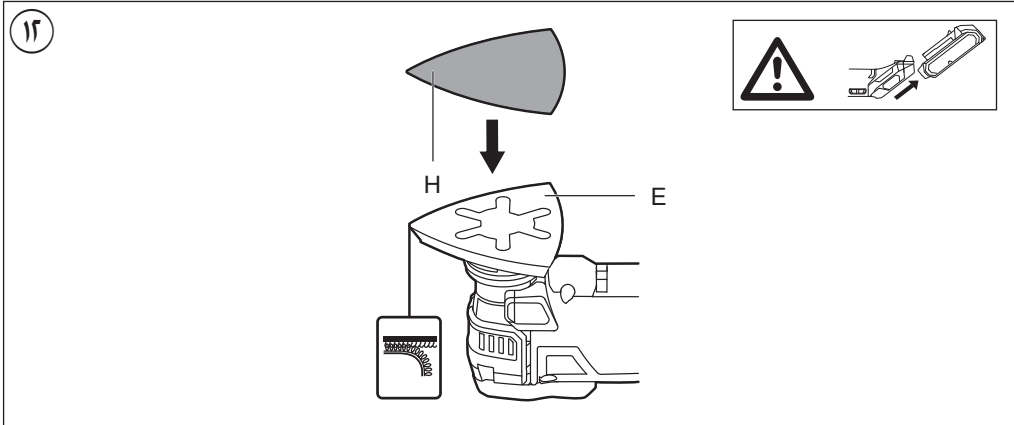
- ت) يجب عدم إساءة استخدام الكابل. لا تسئ استعمال الكابل لحمل الأداة الكهربائية أو لتعليقها أو لسحب القابس من المقبس. حافظ على إبعاد الكابل عن الحرارة والزيت والحواف الحادة أو عن أجزاء الجهاز المتحركة. تزيد الكابلات التالفة أو المتشابكة من خطر الصدمات الكهربائية.
- ج) استخدم فقط كوابل الترميد الصالحة للإستعمال الخارجي أيضا عندما تشغل بالعدة الكهربائية في الخلاء. يخفف استعمال كابل ترميد مخصص للإستعمال الخارجي من خطر الصدمات الكهربائية.
- ح) إن لم يكن بالإمكان عدم تشغيل الأداة الكهربائية في الأجواء الرطبة. فاستخدم مفتاح للوقاية من التيار المتردد. إن استخدام مفتاح للوقاية من التيار المتردد يقلل خطر الصدمات الكهربائية.
- ٣) أمان الأشخاص
- أ) كن يقظا وأنتبه إلى ما تفعله وقم بالعمل بواسطة الأداة الكهربائية بتعقل. لا تستخدم عدة كهربائية عندما تكون متعب أو عندما تكون تحت تأثير المخدرات أو الكحول أو الأدوية. عدم الإبتناء للحظة واحدة عند استخدام الأداة الكهربائية قد يؤدي إلى إصابة خطيرة.
- ب) ارتد عتاد الوقاية الخاص. وارتد دائما نظارات واقية. يجب إرتداء عتاد الوقاية الخاص كقناع الوقاية من الغبار وأحذية الأمان الواقية من الإرتلاق والحوادث واقية الأذنين. حسب نوع وإستعمال الأداة الكهربائية. من خطر الإصابة بجروح.
- ت) تجنب التشغيل بشكل غير مقصود. تأكد من كون الأداة الكهربائية مطفاة قبل وصلها بإمهاد التيار الكهربائي أو بالركم. وقيل رفعها أو حملها. إن كنت تضع إصبعك على المفتاح أثناء حمل الأداة الكهربائية أو إن وصلت الجهاز بالشبكة الكهربائية عندما يكون قيد التشغيل. فقد يؤدي ذلك إلى حدوث الحوادث.
- ث) انزع عدد الضبط أو مفتاح الربط قبل تشغيل الأداة الكهربائية. قد تؤدي الأداة أو المفاتيح المتواجدة في جزء دوار من الجهاز إلى الإصابة بجروح.
- ج) تجنب أوضاع الجسم غير الطبيعية. قف بأمان وحافظ على توازنك دائما. سيسمح لك ذلك من السيطرة على الجهاز بشكل أفضل في المواقف غير المتوقعة.
- ح) ارتد ملابس مناسبة. لا ترتدي الثياب الفضفاضة أو الخلي. حافظ على إبقاء الشعر والثياب والقفازات على بعد عن أجزاء الجهاز المتحركة. قد تتشابك الثياب الفضفاضة والخلي والشعر الطويل بالأجزاء المتحركة.
- خ) إن جاز تركيب جهاز شغط وجميع الغبار. فتأكد من أنها موصولة وبأنه يتم استخدامها بشكل سليم. قد يقلل إستخدام خذيرات لنشط الأبخرة من الخطر الناتجة عن الأبخرة.
- د) لا تدع إعتيادك على الاستخدام المتكرر للأدوات يسمح لك بتجاهل مبادئ سلامة الأداة: قد يتسبب الاستخدام بدون إكترات في حدوث إصابة بالغة في غضون ثواني:
- ٤) حسن معاملة وإستخدام العدد الكهربائي
- أ) لا تفرط في تحميل الجهاز. إستخدم لتنفيذ أشغالك الأداة الكهربائية المخصصة لذلك. إنك تعمل بشكل أفضل وأكثر أمانا بواسطة الأداة الكهربائية الملائمة في مجال الأداء المذكور.
- ب) لا تستخدم الأداة الكهربائية إن كان مفتاح تشغيلها تالف. الأداة الكهربائية التي لم تعد تسمح بتشغيلها أو بإطافئها خطيرة ويجب أن يتم تصليحها.
- ت) اسحب القابس من المقبس و / أو انزع المرحم قبل ضبط الجهاز وقيل إستبدال التوابع أو قبل وضع الجهاز جانبا. تمنع إجراءات الاحتياط هذه تشغيل الأداة الكهربائية بشكل غير مقصود.
- ث) احتفظ بالعدد الكهربائي التي لا يتم استخدامها بعيدا عن متال الأطفال. لا تسمح بإستخدام الأداة الكهربائية لمن لاخيرة له بها أو لمن لم يقرأ تلك التعليمات. العدد الكهربائي خطيرة إن تم استخدامها من قبل أشخاص دون خبرة.
- ج) اعن بالعدة الكهربائية بشكل جيد. تفحص عما إذا كانت أجزاء الجهاز المتحركة تعمل بشكل سليم وبأنها غير مستعصية عن الحركة أو إن كانت هناك أجزاء مكسورة أو تالفة لدرجة تؤثر فيها على حسن أداء الأداة الكهربائية. ينبغي تصليح هذه الأجزاء التالفة قبل تشغيل الجهاز. الكثير من الحوادث يصدرها العدد الكهربائي التي تم صيانتها بشكل ردي.
- ح) حافظ على إبقاء عدد القطع نظيفة وحادة. إن عدد القطع ذات حواف القطع الحادة التي تم صيانتها بعناية تكليس بشكل أقل ويمكن توجيهها بشكل أيسر.
- خ) استخدم العدد الكهربائي والتوابع وعدد الشغل والبخ حسب هذه التعليمات. تراعى أثناء ذلك شروط الشغل والعمل المراد تنفيذة. استخدام العدد الكهربائي لغير الأشغال المخصصة لأجلها قد يؤدي إلى حدوث الحوادث الخطيرة.
- د) احرص على جفاف المقابس وأسطح الإمساك ونظافتهما وخواهما من الزيت والشحم. لا تستخدم الإقابس وأسطح الإمساك الزلقة باستخدام والتحكم الأمان في الأداة في الحالات غير المتوقعة:

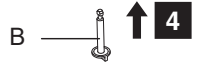
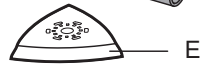
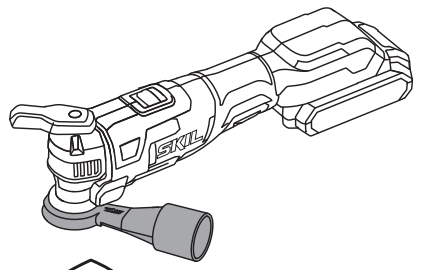
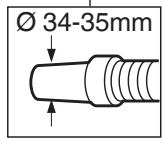
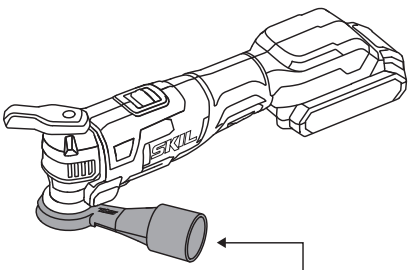
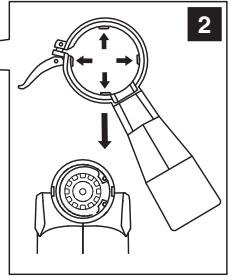
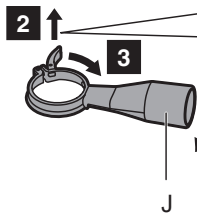
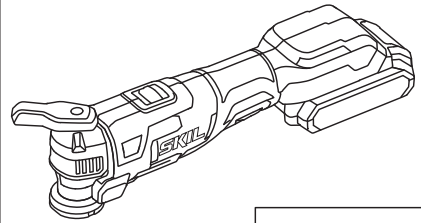
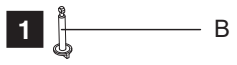
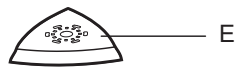
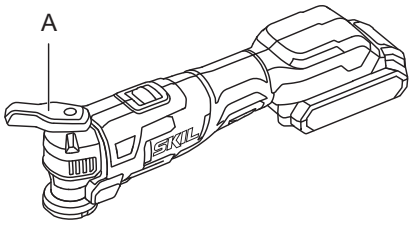
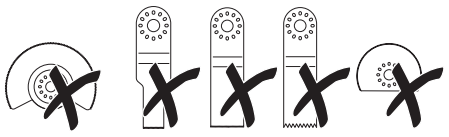
* ةادألا عم أيسايق رفوتوي ال

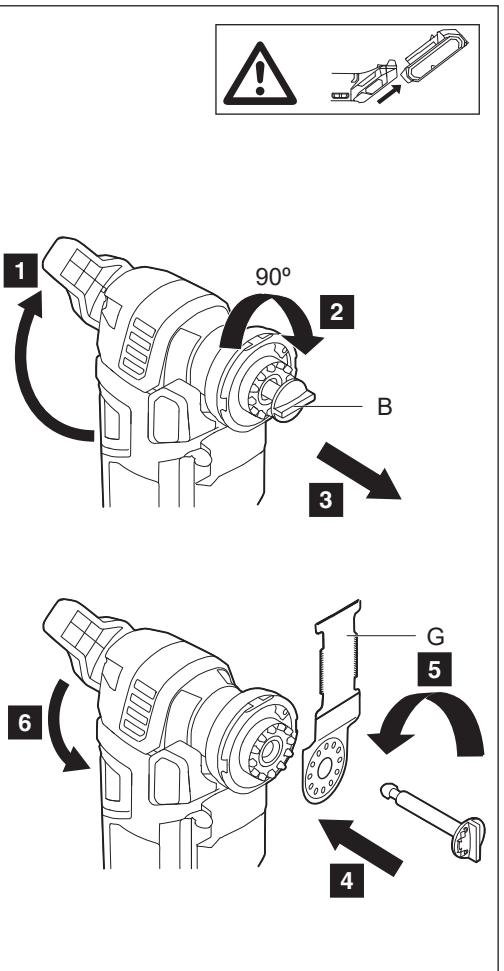
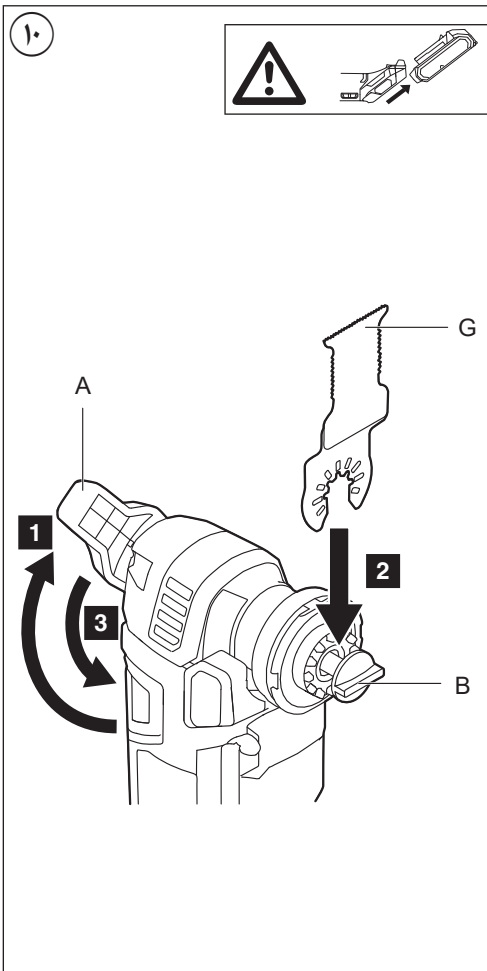
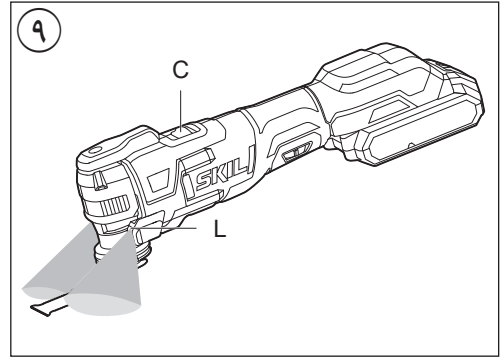
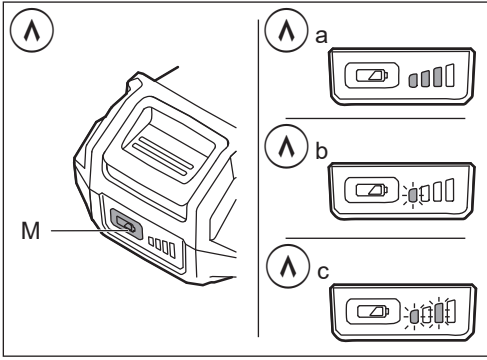
10





11





1 3650


20V Max
18
Volt


2,0 Ah
2,5 Ah


1,5 kg

4,0 Ah
5,0 Ah

1,8 kg


n₀
11000-17000
/min

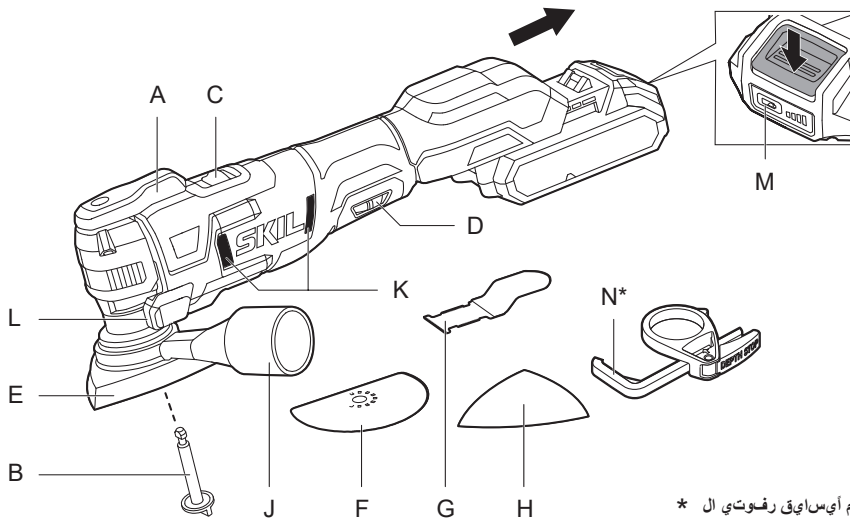
1,8° ← → 1,8°





OIS


82 mm

2



* فادالما عم آيسايقي رفوتوي ال

3


OIS
Oscillating
Interface
System

4



5



6


max.50 °C

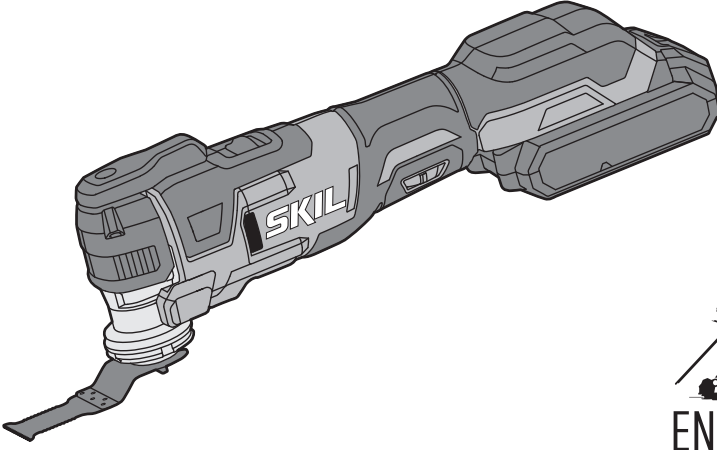
V



أداة متعددة الوظائف بدون سلك وبدون فرشاة

3650

SKIL®



دليل الاستعمال

AR

راهنمای اصلي

FA

