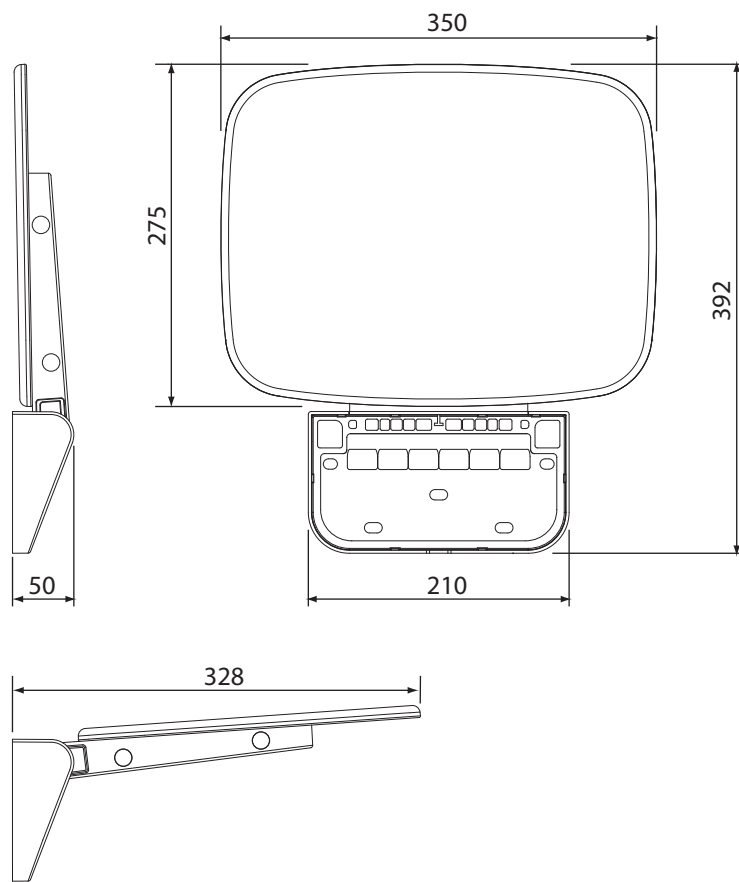


SIZE



IMPORTANT: CARE & SAFETY

Note: Wall plugs supplied are ONLY suitable for solid stone/brick walls. They are not suitable for use in aerated blocks or similar.

If fixing to a stud wall, sufficient extra internal reinforcements must be made to the wall. Screws must locate into suitably reinforced studs and noggins.

Take care using power tools - The use of a residual current device (RCD) is recommended.

Beware of hidden cables or pipes when drilling. Take care when drilling on tiled surfaces in case the drill slips. Use masking tape to minimise drill slippage.

This product can be dangerous if installed incorrectly.

This product must be installed by a competent person.

It is the installer's responsibility to check that the fixings are suitable for the installation in hand.

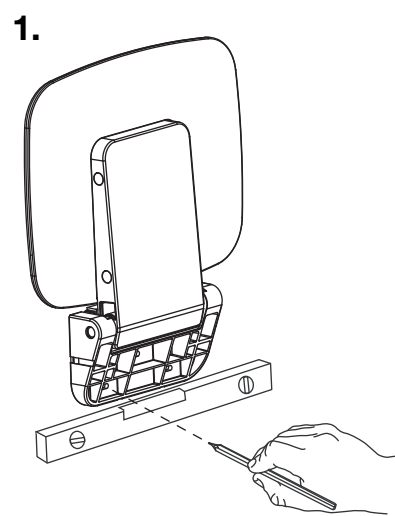
TOOLS REQUIRED

- 10mm Tile Drill Bit
- 10mm Masonry Drill Bit
- Drill
- Pencil
- Spirit Level
- Tape Measure
- Masking Tape
- 13mm Socket and extension arm
- Ratchet or socket handle

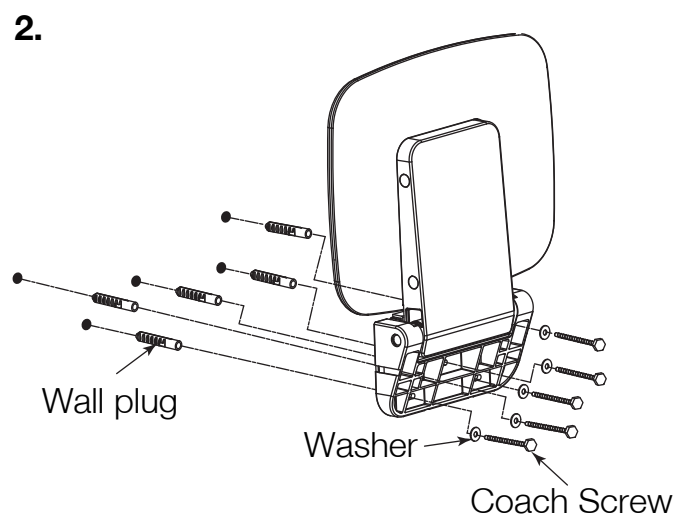
This product will safely support a static load of up to 160kg on a solid brick/stone wall.

Do not bounce on the seat
Do not stand on the seat

INSTALLATION INSTRUCTIONS

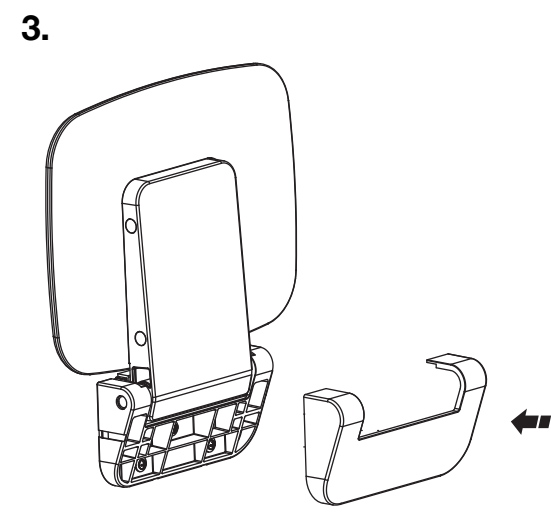


1. Apply masking tape at the desired fixing height on the wall tiles. Recommended seat height is 450mm +/- 50mm. Place the seat at the desired height and use a spirit level to ensure it is level. Mark off the fixing holes with a pencil.

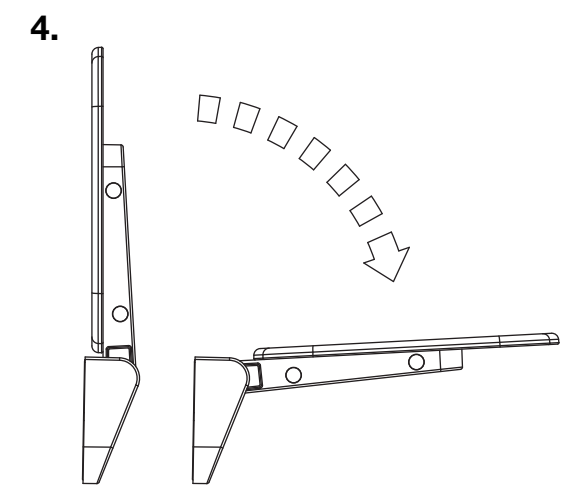


2. For solid brick/stone wall installations
Using a suitable 10mm bit, drill the five holes to a minimum depth of 70mm. Insert the wall plugs. Using a 13mm socket with arm extension arm, screw the seat to the wall using the coach screws and washers supplied.

For reinforced stud wall installations
Screws must fit into the studs or reinforced noggins. The complete area behind the seat must be suitably reinforced by the installer. Drill pilot holes into the reinforced area. Using a 13mm socket with extension arm, screw the seat to the wall using the coach screws and washers supplied.

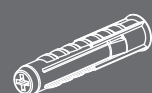


3. Check that the screws are fully tightened and the seat is securely fastened to the wall. Click the chrome bracket over the base of the shower seat to conceal the fittings.



4. Pull the seat down for use. When finished gently fold the seat up against the wall to maximise space within your shower enclosure.

PARTS INCLUDED



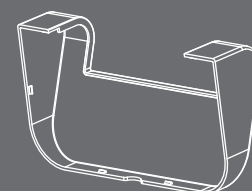
M10 Fischer SX
Nylon Wall Plug
x5



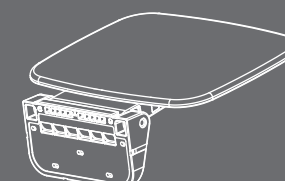
M8 x 70mm
Stainless Steel
Coach Screw
x5



Stainless Steel
Washer
x5



Chrome Plated
Bracket Cover
x1



Shower Seat
Assembly
x1