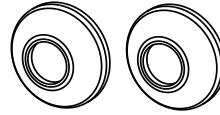
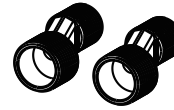


A

B



C



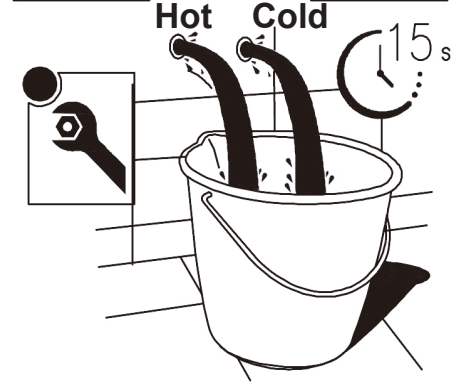
D



E

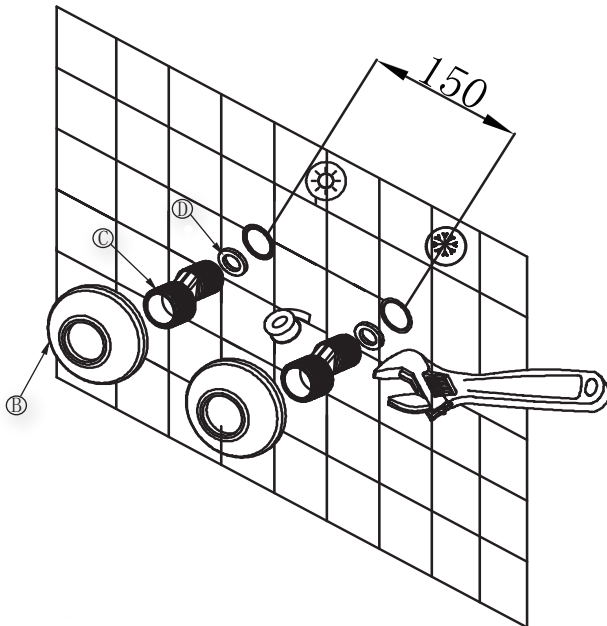


1

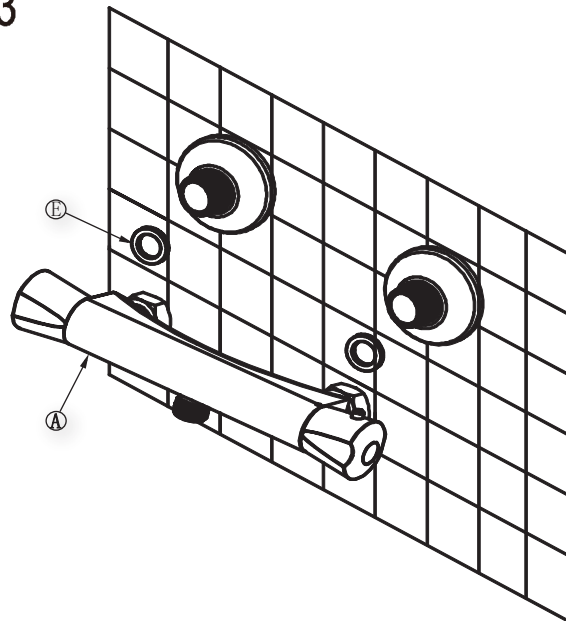


Balanced water pressure requirement: Min 0.5 bar

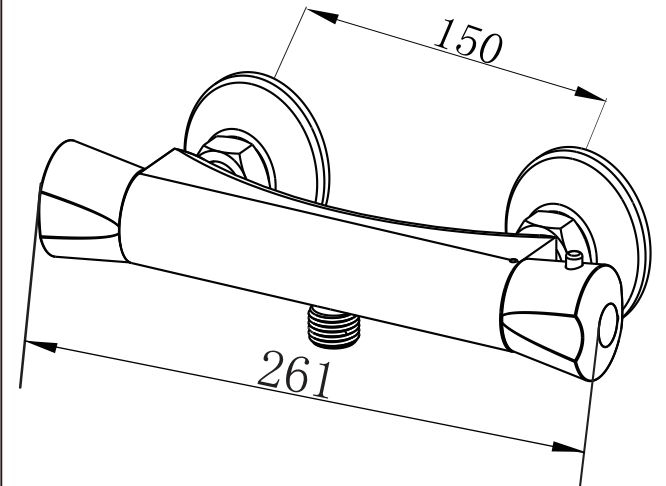
2

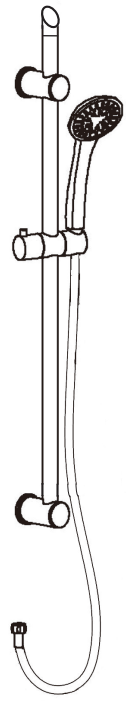


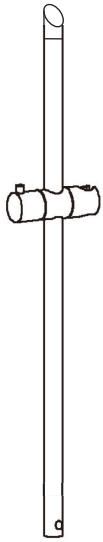
3



4





					
				B	
				C	
				D	
				E	
				F X2	
				G X2	
				H	
				I X2	
				J	
K					

