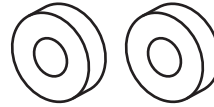


A

B



C



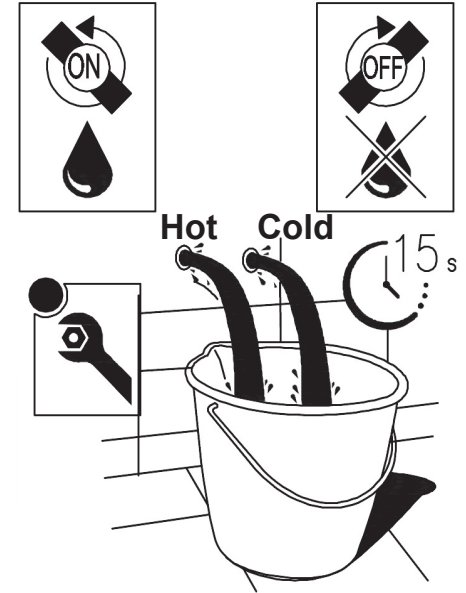
D



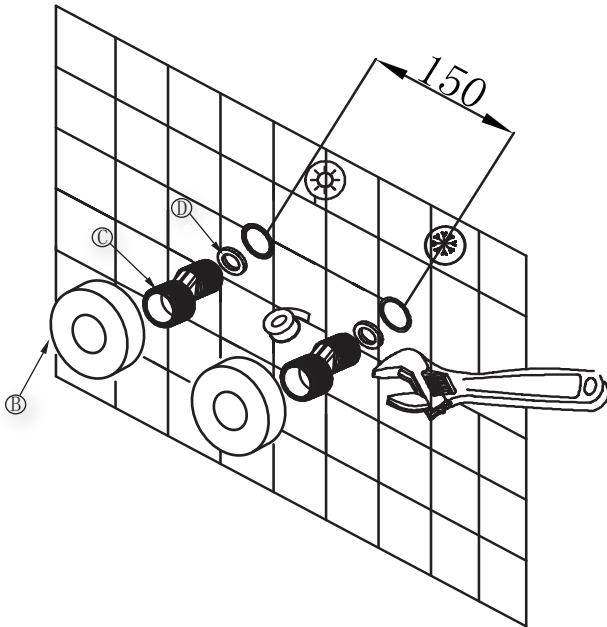
E



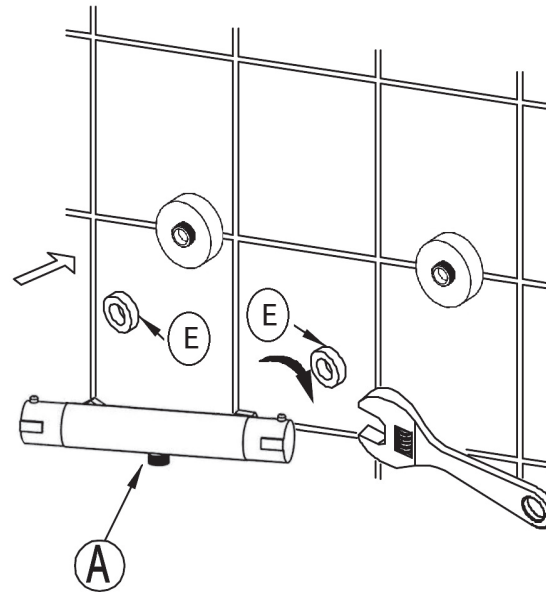
1



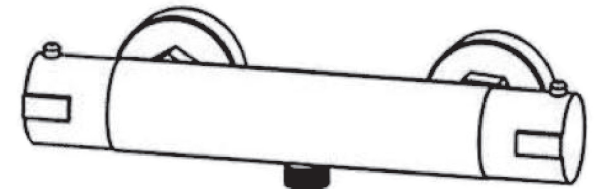
Balanced water pressure requirement: Min 0.5 bar

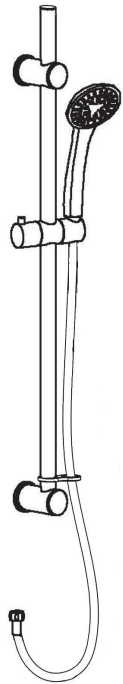


3



4





			B
			C
			D
			E
			F X2
			G X2
			H
			I X2
J			
A			K

①

550-650mm
1200mm

②

③

④

⑤

⑥