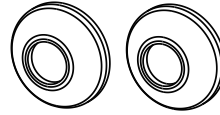
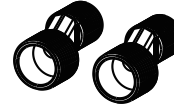


A

B



C



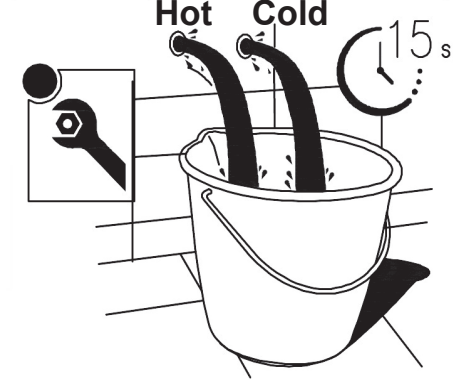
D



E

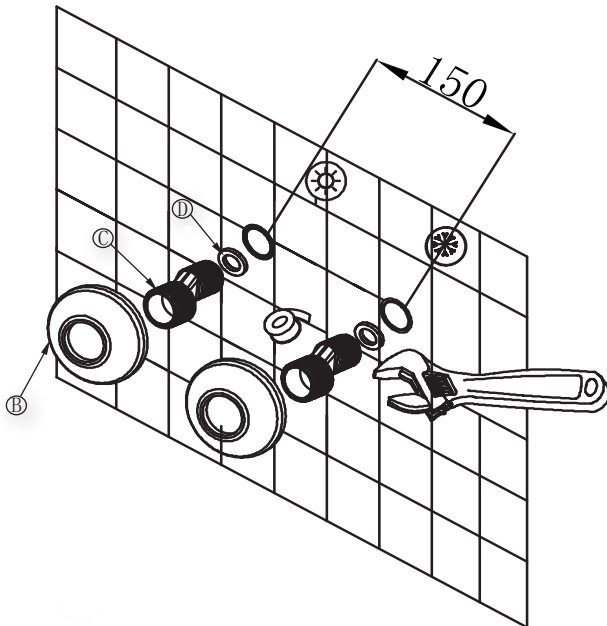


1

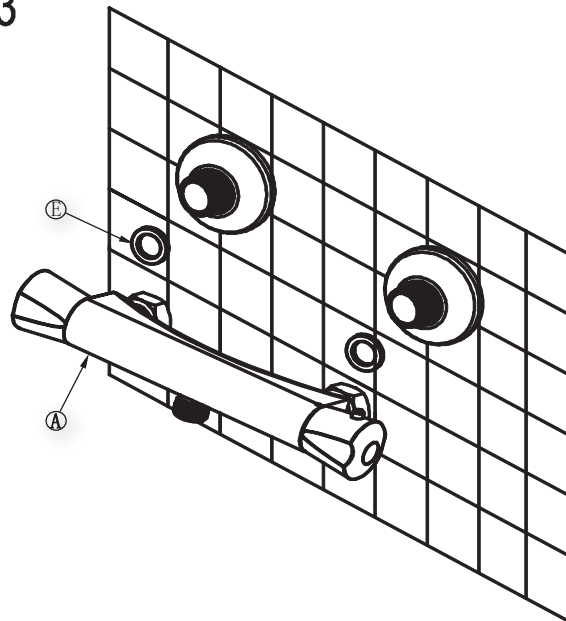


Balanced water pressure requirement: Min 0.5 bar

2



3



4

