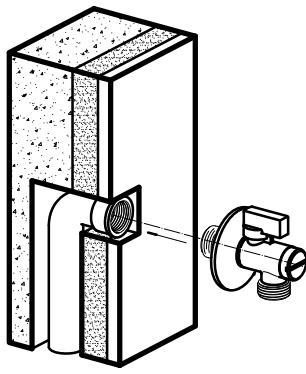
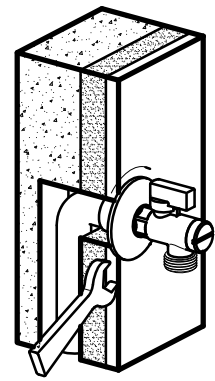


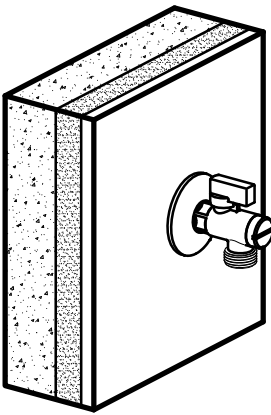
1. Wrap the sealing tape onto the thread of the water inlet.



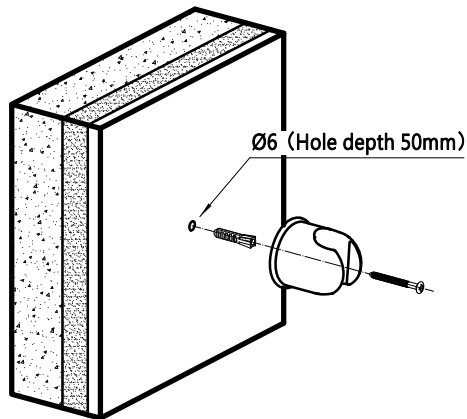
2. Check whether the water supply pipe is clean and free of dirt, sand and other debris.  
3. Connect the angle valve to the water supply pipe.



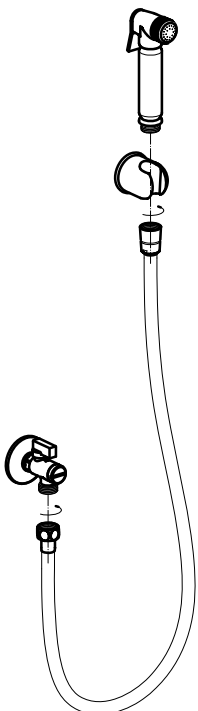
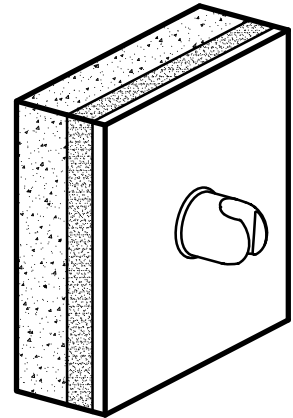
4. Tighten the valve using 19mm spanner.  
5. Make sure the handle is in the right position - vertical upside.



6. The angle valve is installed now.



7. Drill a hole with a depth of Ø6 50mm  
8. Insert the plug into the wall and fix the holder with the screw.



9. Connect the shower hose to the angle valve and spray.  
10. Check whether any leaks or not.

