

# Contactless Dual Flush Sensor

## Installation & Operation Instructions - For Domestic Use Only

Please read completely before commencing. Retain for future reference



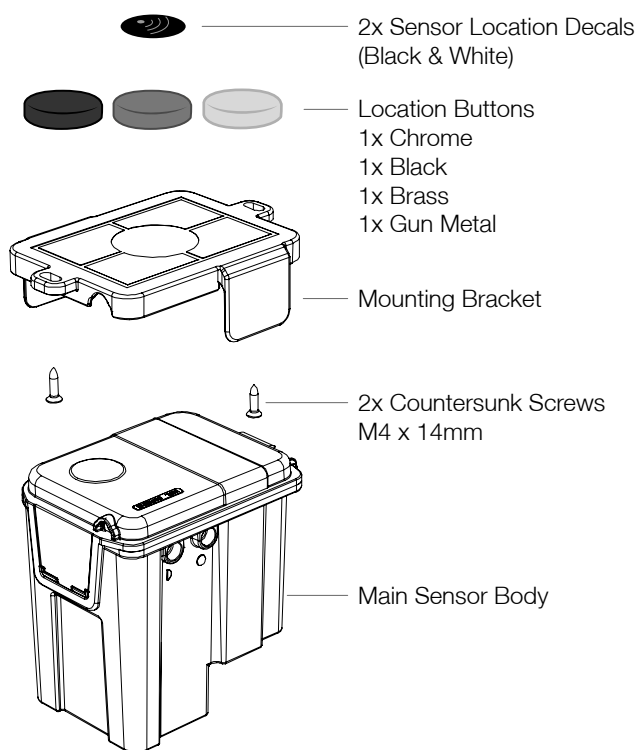
TR9014

### Introduction

This contactless flush sensor kit is compatible with pneumatic concealed cisterns from Roper Rhodes Group. It is intended to replace the flush button supplied with concealed cisterns.

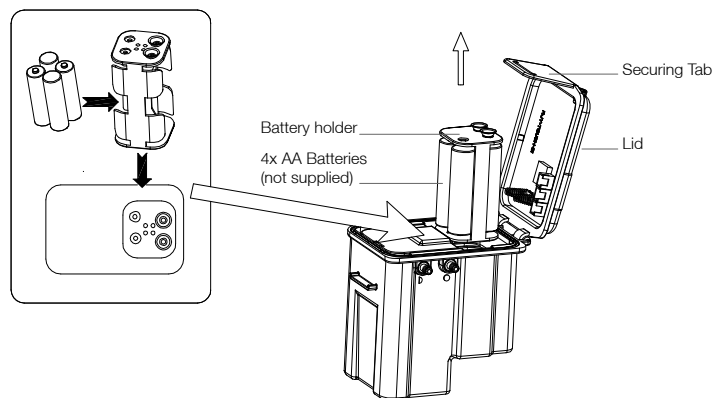
The sensor works using capacitive sensor technology to sense a change in the electromagnetic field when the user waves their hand in front of the sensor. The sensor can be mounted behind a furniture fascia or tiled wall where the cistern is located. A choice of small decals or a chrome button are included to stick on the front of a fascia or tiled surface to indicate sensor location.

### Contents



### Battery Installation

Open the lid and slide out the battery holder by flipping the tab on the front of the sensor body. Insert 4x AA batteries into the battery compartment, noting the polarity on the battery holder. Slide back into place and click the lid shut. A double beep from the unit indicates that the sensor is activated.

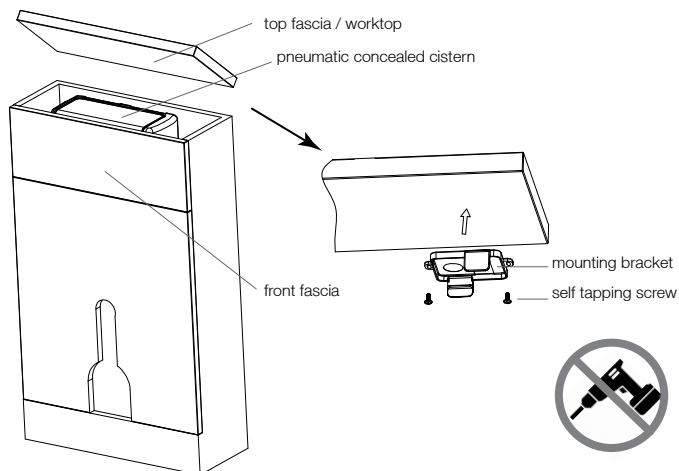


Good quality Alkaline batteries will last for approximately one year in normal domestic conditions.

Once batteries are exhausted, a continuous alarm will be heard, indicating that battery power is low and that they are due to be changed.

### Installation

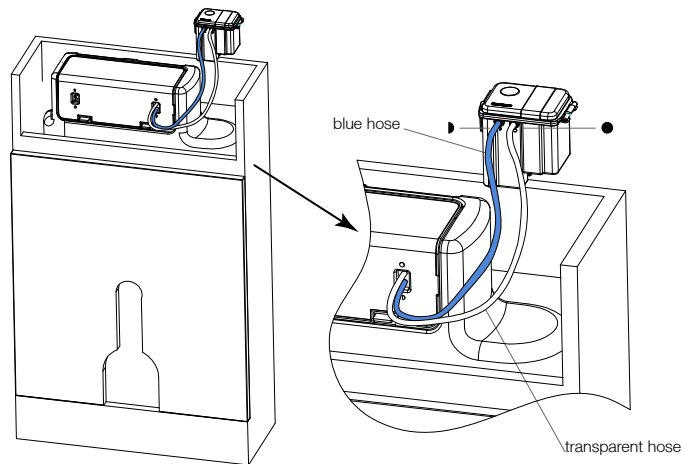
1. Locate the desired position for the sensor. Make sure that there is ample space for the chosen orientation of the sensor unit.



The unit can be mounted behind the front fascia or under the worktop of a WC furniture unit. Make a suitable pilot hole and use the self tapping screws supplied if mounting onto a wooden fascia.

If using with a wall hung frame, in lieu of a flush plate, or in a tiled in installation, please ensure that there is still ample service access to the cistern tank.

2. Connect the air hoses from the cistern to the sensor body as shown. Connect the blue hose to the half moon symbol and the transparent hose to the full moon symbol.



# Contactless Flush Sensor

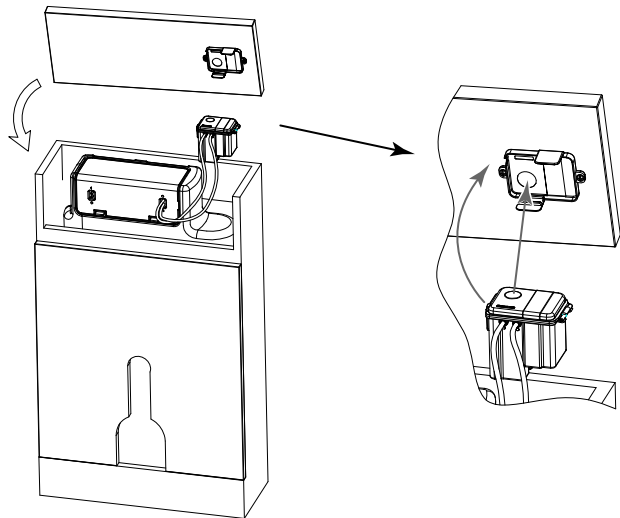
## Installation & Operation Instructions cont.

Please read completely before commencing. Retain for future reference

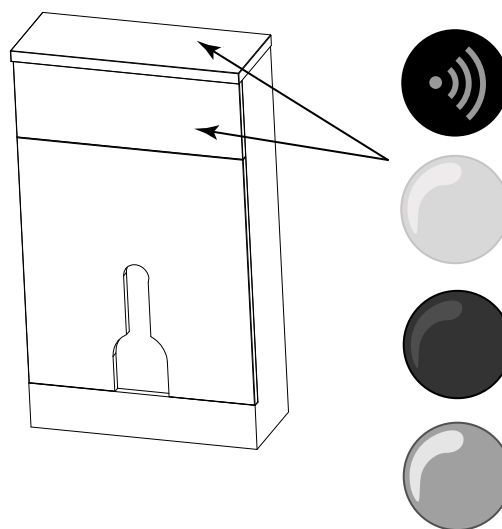


TR9014

3. Click the sensor body into place on the mounting bracket, aligning as shown below. Then attach worktop or fascia according to the instructions supplied with the WC furniture unit.



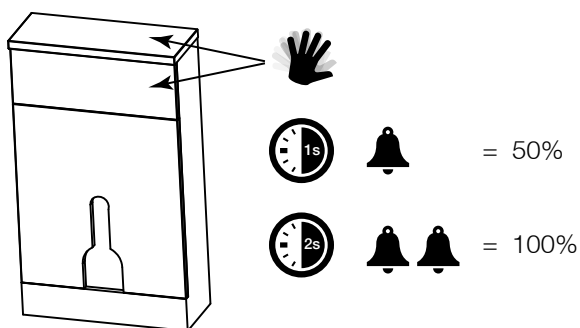
4. Apply the sensor decal or coloured button to either the top or front fascia of the unit depending on the orientation of the sensor. This is to act as an indicator that there is a sensor used inside the furniture. It must be stuck on the reverse side to where the bracket is mounted.



## Operation

**Short Flush:** A quick wave of the hand in front of the sensor location will operate the short flush of the pneumatic cistern. The user will hear one beep of the sensor.

**Full Flush:** The user should hold their hand for approximately 2 seconds in front of the sensor location in order to operate the full flush function of the cistern. The user will hear two beeps of the sensor.



Please note the effective range of the sensor can vary depending on the substrate on which it is mounted (see specification, right).

**Important -** Do not place metallic items over the top or immediately in front of the sensor as this will impair performance.

## Specification

Batteries: 4x AA (LR6) Alkaline Batteries (Not supplied)

Working range:

Wooden Fascia (up to 25mm thickness)	25±5mm
Laminate Worktop (up to 28mm thickness)	20±5mm
Solid Surface Worktop (25mm thickness)	30±5mm
Tile on Plasterboard (up to 35mm thickness)	20±5mm

Power: 3W

Voltage: 6V

Ref: D32-J205-01

At the end of life, please dispose of batteries and unit where municipal recycling facilities exist. Do not dispose of in the regular waste.

This product is only suitable for domestic use.



Brought to you by the Roper Rhodes Group  
Brassmill Lane Trading Estate  
Bath  
BA1 3JF  
t: 01225 303900