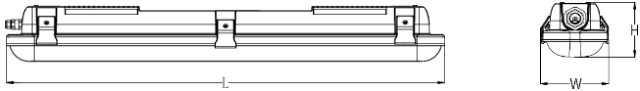


BR4112(E)	LED 27W Non-Corrosive 2ft IP65 Grey
BR4114(E,T,TE)	LED 40W (Twin 55W) Non-Corrosive 4ft IP65 Grey
BR4115(E,T,TE)	LED 40W (Twin 55W) Non-Corrosive 5ft IP65 Grey
BR4116(E,T,TE)	LED 60W (Twin 80W) Non-Corrosive 6ft IP65 Grey

LED Non-Corrosive Fittings

Features	Dimensions																				
<ul style="list-style-type: none"> Two-part assembly for easy installation Wide voltage range 100V-240V AC 20mm conduit knockouts for rear and side cable entry Emergency versions fitted with 4-way terminal stock Tough polycarbonate IP65 housing Supplied with dual brackets for suspension and wall mounting Ideal replacement for fluorescent luminaires 	 <table border="1"> <thead> <tr> <th>Fitting Type</th> <th>Length (L)</th> <th>Width (W)</th> <th>Height (H)</th> </tr> </thead> <tbody> <tr> <td>2ft</td> <td>600mm</td> <td>96mm</td> <td>83mm</td> </tr> <tr> <td>4ft</td> <td>1200mm</td> <td>96mm</td> <td>83mm</td> </tr> <tr> <td>5ft</td> <td>1500mm</td> <td>96mm</td> <td>83mm</td> </tr> <tr> <td>6ft</td> <td>1800mm</td> <td>96mm</td> <td>83mm</td> </tr> </tbody> </table>	Fitting Type	Length (L)	Width (W)	Height (H)	2ft	600mm	96mm	83mm	4ft	1200mm	96mm	83mm	5ft	1500mm	96mm	83mm	6ft	1800mm	96mm	83mm
Fitting Type	Length (L)	Width (W)	Height (H)																		
2ft	600mm	96mm	83mm																		
4ft	1200mm	96mm	83mm																		
5ft	1500mm	96mm	83mm																		
6ft	1800mm	96mm	83mm																		

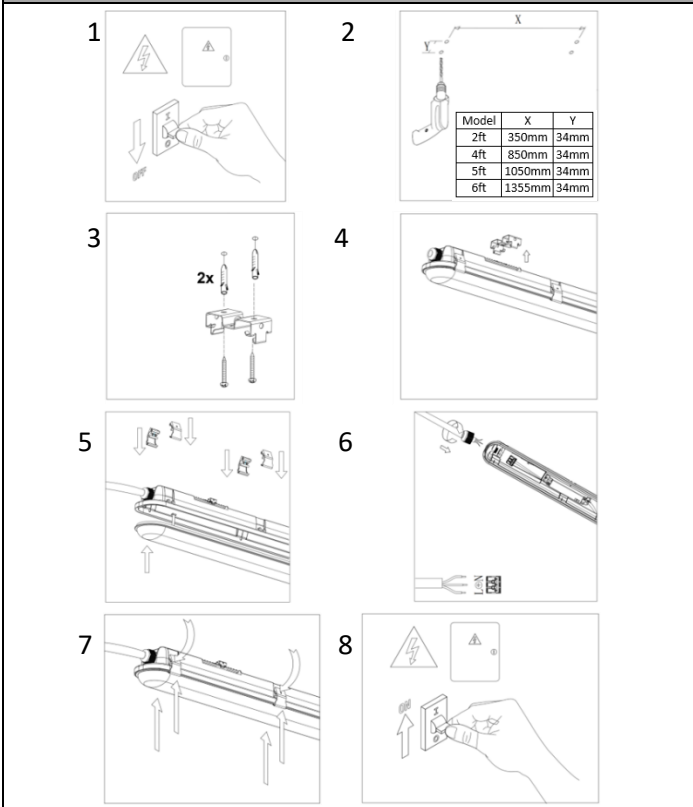
Safety Instructions

- These instructions should be read carefully and retained after installation for future reference and maintenance.
- Ensure that the mains power is switched off before carrying out installation or maintenance.
- Check that the total load on the circuit including this luminaire does not exceed the rating of the circuit cable, fuse or circuit breaker
- It is recommended that luminaires are installed and fitted by a qualified electrician ensuring the installation complies with the current edition of IET wiring regulations - BS 7671. This luminaire is electrical class 1 construction and must be earthed.
- Ensure all electrical connections are secure and that there are no loose strands.

Environmental Instructions

This product may contain substances that can be hazardous to the environment if not disposed of properly. Electrical and electronic equipment should never be disposed of with general household waste but must be separated for its correct treatment and recovery. Where possible recycle your packaging.

Installation Instructions



Model	X	Y
2ft	350mm	34mm
4ft	850mm	34mm
5ft	1050mm	34mm
6ft	1355mm	34mm

SUGGESTED METHOD OF INSTALLATION

Read instructions and check you have all the tools and accessories to complete the installation safely and in compliance with current electrical standards.

- Switch off the electricity at the fuse box by removing the relevant fuse or switching off the circuit breaker before proceeding with the installation.
- Mark out the positions for the metal fixing brackets, see table for distance between fixing brackets. Drill the fixing holes and fit suitable wall plugs.
- Securely mount the metal fixing brackets.
- Align the fitting with the fixing brackets and ensure it is securely clipped in place.
- Undo the clips along the sides of the luminaire body to separate diffuser and gear tray assembly from the base.
- Feed the supply cable through the fitted cable gland. Terminate the cable into the terminal block, ensuring the correct polarity is observed and the unit is earthed.

Standard Wiring	Emergency Wiring
- Brown to switched live	- Black to switched live
- Blue to neutral	- Brown to permanent live
- Green / Yellow to earth	- Blue to neutral
	- Green / Yellow to earth

- Replace and secure the diffuser and gear tray assembly back onto the base. Tighten the cable gland to ensure IP rating is maintained.
- Switch on the power supply and check the operation.

Quick Emergency Function Test: Press and hold the red non-latching button fixed inside the luminaire housing; the luminaire will switch to emergency mode. On releasing the test button, luminaire will revert to normal operation mode at maximum brightness.

Specification

Input Voltage:	100V – 240V AC 50Hz	Beam Angle:	120°
Electrical Classification:	Class I	Housing Material/Colour:	Polycarbonate/Grey
Efficacy:	120lm/W	IP/IK Rating:	IP65/IK08
Colour Temperature (CCT):	6500K	Battery (Emergency Version):	LiFePO ₄ , 3-hr duration*
CRI Index (Ra):	>80	Standard:	BS EN 60598-1, BS EN 60598-2-1

* When the unit no longer meets its rated duration of operation, the batteries must be replaced with batteries of the same type, voltage and amp-hour rating

