

ARLEC**Wiring Instruction****SPECIFICATIONS**

Rating: 250V a.c. 50Hz 10AX

TERMINAL CAPACITY:

SUPPLY TERMINAL:	LOAD TERMINAL:
2 x 2.5mm ²	1 x 2.5mm ²
3 x 1.5mm ²	3 x 1.5mm ²
4 x 1mm ²	4 x 1mm ²

MOUNTING

Mounting box minimum depth 16mm, 25mm depth mounting box recommended.

CLEANING

Clean the front plate with a dry lint free soft cloth. Do not use abrasive or domestic cleaners.

DISPOSAL INSTRUCTIONS

Dispose of the product in an environmentally friendly manner when you decide to part with it. This device should not be disposed of with household waste. Dispose of it at a recycling centre, check with your local authority or retailer for recycling advice. Please note that all products with this symbol below must be recycled.

**WARRANTY**

Products are protected by warranty against manufacturing defects for a period of 12 months from the date of purchase or delivery, including against defects in production, materials and workmanship.

In the event of a problem with the product within the warranty period please return it to your nearest store. If the item is shown to have an inherent defect present at the time of sale the store will, at its discretion, provide you with a replacement. If we are unable to repair or replace a defective product, we will refund the purchase price of the defective product in part or in full.

This warranty does not cover the product where the fault is due to you or any third parties misuse, abuse, neglect, use in contravention of any oral or written instructions as to the storage, installation, commissioning, use or maintenance of the product, or where the product has been the subject of unauthorised modifications or alterations without our prior written consent, including the use of unauthorised spares, or has been the subject of commercial use. For the avoidance of doubt, the exclusions in this paragraph apply to any defect arising as a result of fair wear and tear, willful damage, negligence or abnormal working conditions, or where products differ from their description as a result of changes made to ensure they comply with applicable statutory or regulatory standards.

The terms of this warranty shall apply to any repaired or replacement product we supply and the 12 month warranty period is treated as continuing as if the repaired or replacement product was supplied at the original date of purchase.

Your statutory rights remain unaffected and nothing in this warranty shall limit or exclude our liability for any rights you have under the Consumer Rights Act 2015. If any part of this warranty is deemed unenforceable (including any exclusion of liability) the enforceability of any other parts of this warranty will not be affected.

Please retain for future reference.

Arlec Electrical Company Limited

Arlec's telephone number, address and email address are:

Customer Service Contact: 0800 112 0275

Unit 18, Cromwell Business Park, Howard Way,

Newport Pagnell, Buckinghamshire, MK16 9QS

Email: custservice@arlec.co.uk

© This instruction leaflet is subject to copyright and must not be reproduced, copied or otherwise used in any way or for any purpose without the consent in writing of the owner, Arlec Electrical Company Limited.

**INSTALLATION
AND OPERATING INSTRUCTIONS**

GBIN005158

ARLEC**Wiring Instruction****WIRING INSTRUCTIONS**

Read these instructions before you begin the installation; keep the instructions in safe place for future use.

SAFETY INSTRUCTIONS

This product should be installed by a competent person (e.g. a qualified electrician) in accordance with these instruction and the relevant clauses of the current edition of the IEE Wiring Regulations (BS 7671: Requirements for Electrical Installations) and appropriate statutory regulations.

- Switch OFF the mains supply at the switchboard and make sure installation circuit is isolated before commencing installation. Ensure no one else has access that would enable the supply to be inadvertently reconnected.
- It is essential that all connections are made as shown below, that cables are not stressed and that terminal screws are fully tightened.
- All accessories where a earth terminal is present must be correctly earthed. To do so fix the earth wire to the earth terminal on the accessory or on the metal plate and then connect the short length of the wire from this terminal to the terminal provided in the mounting box.
- To prevent fire hazard do not exceed the rated current.
- The layout of the accessory may change from product to product, please check the termination marking engraved on the unit before you proceed with the wire termination.

WARNING: Do not install on freshly plastered or damp walls as this may cause tarnishing.

INSTALLATION

- Partially unscrew all the terminal screws to which the cables are terminated.
- Some accessories have fixing screws clipped to the rear of the plate, unclip these screws before you begin installation.
- For accessories that come with a decorative clip-on front plate, the plate must be removed by carefully sliding the screw driver between the ramp of the main body of the products and the notch in the lower edged of the plate. The plate can then be levered away from the main body of the product.
- Ensure the back box is firmly fixed to the wall / ceiling before you commence installation.
- If using the accessory as a replacement, remove the existing accessory from the wall.
- Inspect the mounting box (wall box) and remove if any plaster debris or dust present.
- Strip the outer sheath on all the cables, then trim wires to appropriate length to allow the cable ends to reach the terminals.
- Strip back the inner insulation of both cables to expose 10mm of wire.
- If using a Neutral wire as a Live or Switched Live, Brown sheathing must be put over the Black or Blue insulation to indicate its change of use.
- Connect the cables as shown in wiring diagrams below.
- Colour codes used in the UK: As from 1st April 2004 new installations in the U.K. could be wired using new EU harmonised colours for the supply conductors of twin and earth cable:

New Colours

BROWN-LIVE

BLUE-Neutral

Earth GREEN/YELLOW

Old Colours

RED-LIVE

BLACK-Neutral

(The old colours have been replaced from 1st April 2006).

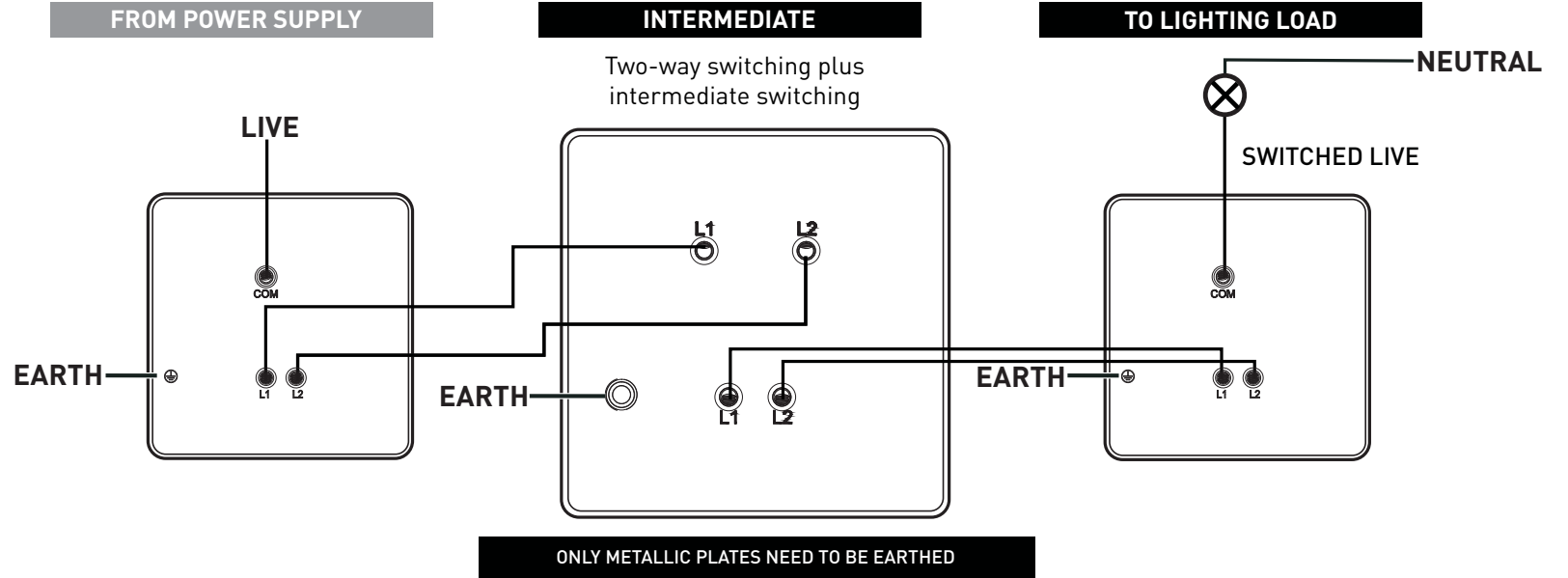
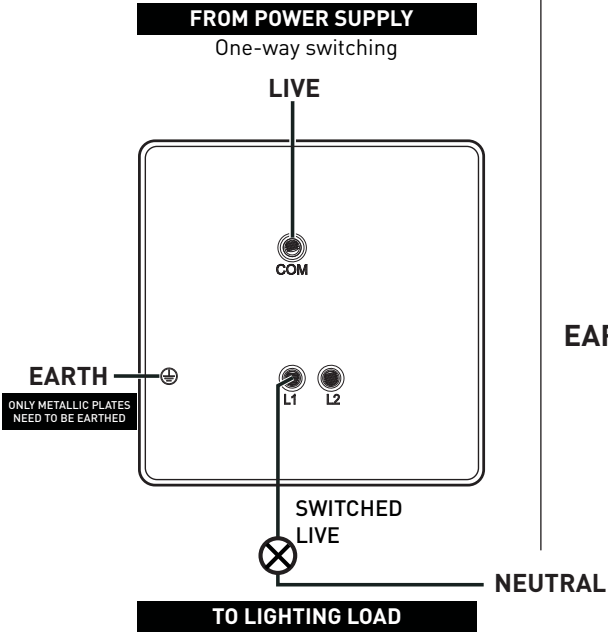
- For accessories having one or more earth terminal, either one or all of these terminals can be used.
- Push all the wires back into the back box, ensuring the cables are not trapped or pinched. Fix the product to the back box with the fixing screws provided. Do not over tighten.
- For accessories that come with a decorative clip-on plate, place the plate over the mounted accessory and apply finger pressure down the bottom centre where the notch is present.

**INSTALLATION
AND OPERATING INSTRUCTIONS**

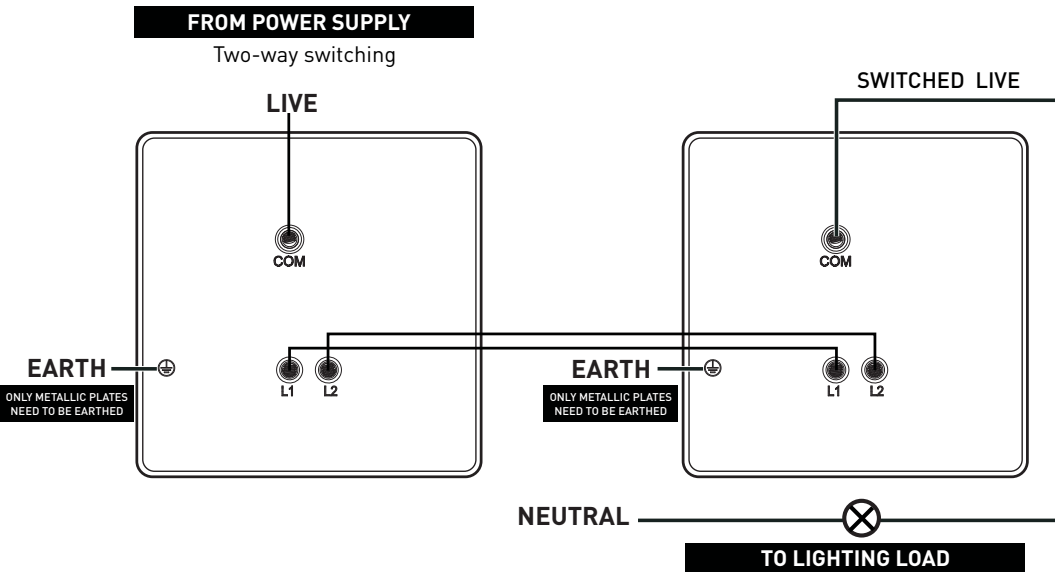
GBIN005158

10AX 1 WAY SWITCH CONNECTION

The diagrams below are a depiction of one gang switch wiring layout. If you have multi-gang switch product, please follow the wiring connection for each gang individually.



10AX 2 WAY SWITCH CONNECTION - 1



10AX 2 WAY SWITCH CONNECTION - 2

