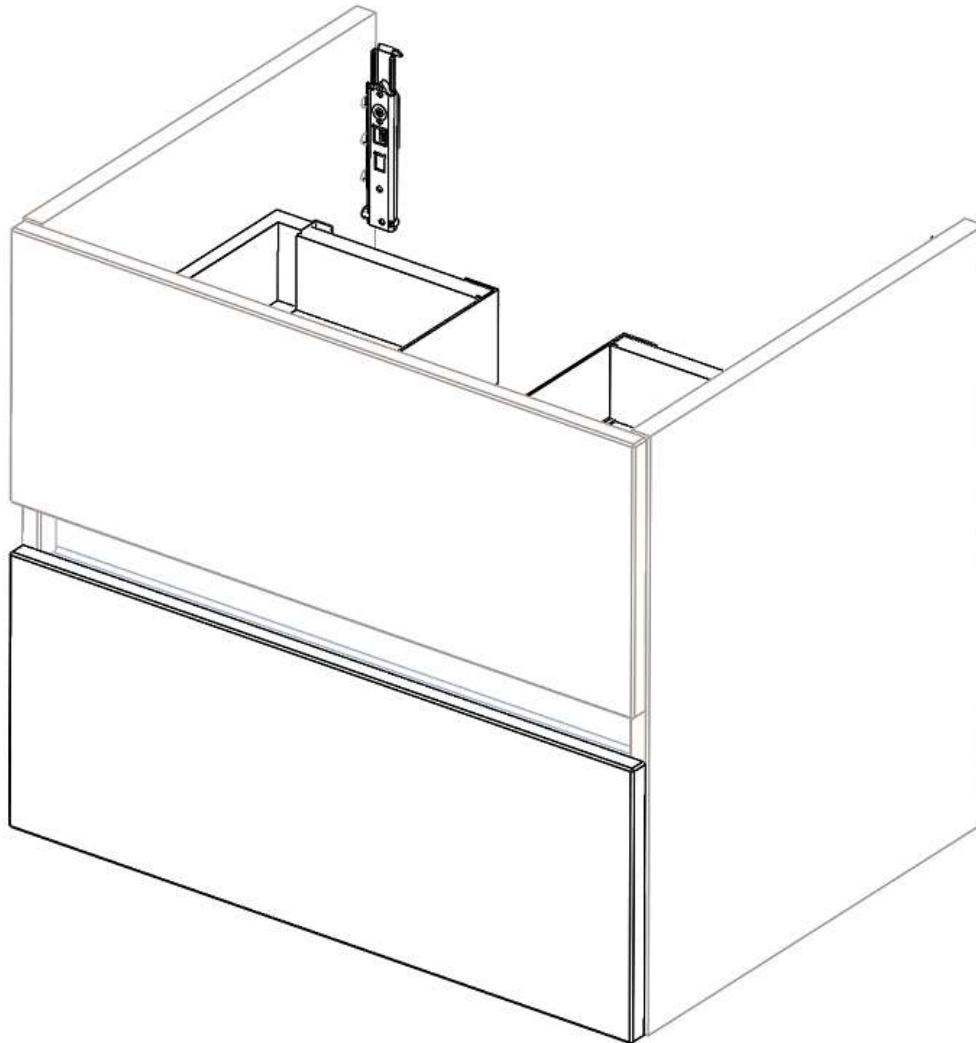


newland
modular

MADE IN BRITAIN 

Installation Instruction Newland Vanity Units



Bathroom Furniture Assembly Instructions

Product Identification

All units can be easily identified from the labels on the packaging. These labels include a description and product batch numbers. In the unlikely event of any missing items, these numbers should be quoted when contacting your supplier.

Please inspect all products carefully before installation.

The guarantee does not cover any subsequent installation costs incurred if faults which would have been evident at the time of delivery are discovered after installation.

Installation Guide and Assembly Manual

It is recommended that this guide should be read before any installation of units begins. Always unpack units carefully and check the contents before discarding the packaging as small items may still be in the packaging. To protect units from scratches only lay them on a clean flat surface.

Electrical

Carrying out work in a bathroom that requires any addition or alteration to existing circuits could be notifiable to your local building control department to ensure it meets the correct safety standards. Generally, any work carried out to the circuit within a specific zone close to the bath or shower unit is considered notifiable. A straightforward way of meeting the requirements is to use a contractor who is registered with a Competent Person Scheme such as NICEIC or ELECSA. They can self-certify the work and notify the local building control department on your behalf.

Sanitaryware

Basins

Any unit edges around wash basins must be sealed with a waterproof agent or sealer.

Basins should be levelled on a bead of silicon onto the base unit if possible before the final water and waste connections are made.

W/C Units

You will need to make cut-outs for pipes and cistern controls as directed by the Manufacturer's instructions or templates, remembering to seal any raw edges. The cistern will require fixing to the cross rail. (These fixings are not supplied)

Please note: These units are designed for back-to-wall pans as well as suspended "wall hung" pans when used with a suitable suspension frame.

Guidelines for Care and Maintenance

To maintain the appearance and prolong the life of your new bathroom products we recommend the following,

Furniture

Wipe spills up immediately with a clean soft damp cloth as excessive amounts of spillage or condensation can cause deterioration of the woodwork. We recommend that furniture be cleaned with a soft damp cloth and warm soapy water. Avoid using cleaners or polishes that contain abrasives, solvents, acid or ammonia.

Mirrors

Wipe off excessive moisture or condensation, clean with a soft cloth. Avoid using cleaners that contain abrasives, solvents, acid or ammonia.

Ceramic Sanitaryware

Clean with a soft damp cloth and warm soapy water; rinse with clean water and polish with a soft cloth. Avoid using cleaners that contain abrasives, solvents, acid or ammonia.

Gel-coated Cast Mineral Washbasins

Gel-cast basins are designed and guaranteed to be used with hot water up to a maximum temperature of 65°C, this temperature must not be exceeded.

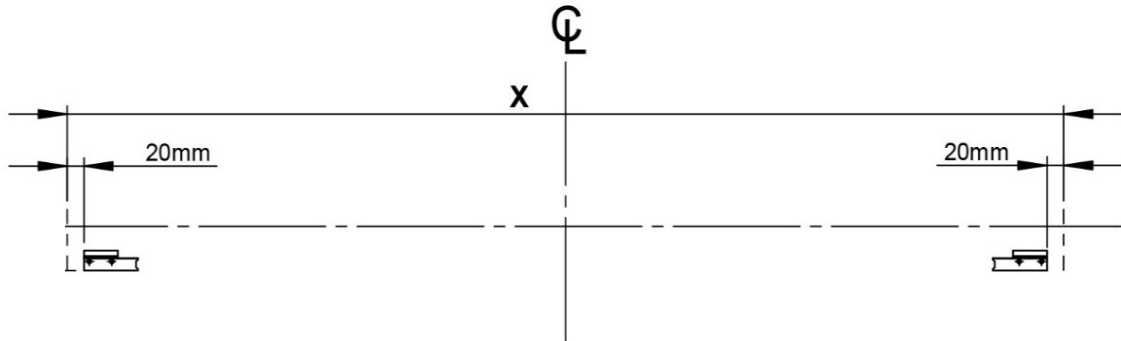
Clean with a soft damp cloth, water and soap or very mild detergent, rinse and polish with a soft cloth. Avoid using cleaners that contain abrasives, solvents, acid or ammonia. Do not use caustic soda or bleaches. For a good shine use a fine polish around twice a year and then finish with a wax e.g. car wax. Care instructions are included with the washbasin.

Brassware

Clean with a damp cloth, water and soap, rinse clean and polish with a cloth. Avoid using cleaners that contain abrasives, solvents, acid or ammonia.

Installation

Diagram 1



For all units mark out the position of the wall plates (supplied as pairs) using the dimensions provided above.

Once marked, drill the fixing positions. Depending on the wall medium, it may be necessary to plug the drilled holes. See **'Important Note'** below.

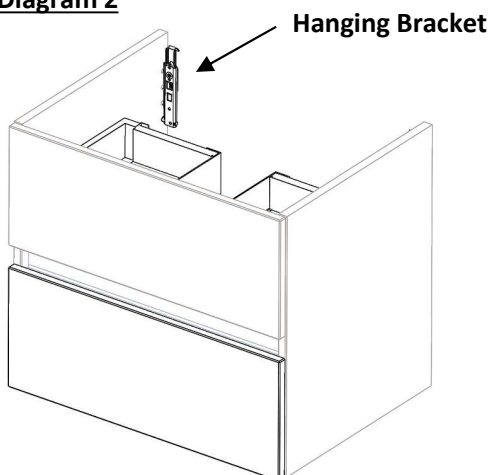
Next screw and secure the wall plates to the wall using suitable screws. See **'Important Note'** below.

See **Diagram 2**.

IMPORTANT NOTE:

Wall fixings (i.e. screws/wall plugs etc.) are not supplied as these are crucially dependent upon the type of wall and surface the surround is going to be fixed too. The installer is therefore responsible for ensuring that suitable fittings are used according to the particular model to be installed as well as individual fitting situations and environments. All mechanical fixings, for holding the product in position, must be secured to a solid wall or structure.

Diagram 2

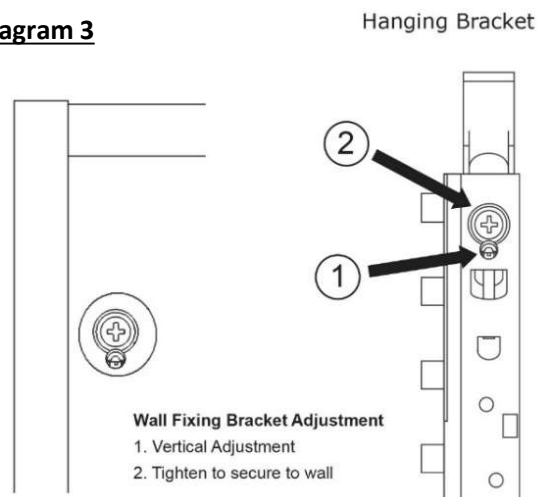


Hanging the Unit

Hang the units, making sure the hanging brackets on the rear of the units, engage with the wall plates on the wall.

See **Diagram 2**.

Diagram 3



Hanging Bracket Adjustment

Adjust the units so they sit level, using a Pozi screw driver. **(1)**

Finally fix the units in position by tightening screws, using a Pozi screw driver. **(2)**

See **Diagram 3**.

Door Adjustments

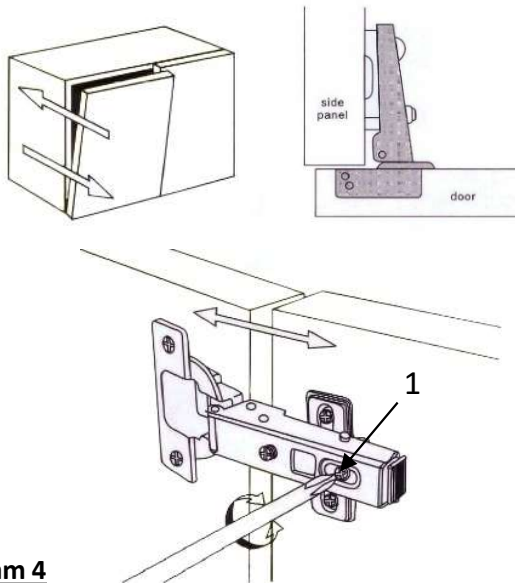


Diagram 4

Door Front adjustment

Set the distance between the back face of the door and the edge of the unit side panel.

Tip: Leave an approx. 2mm gap to help avoid binding.

To fix the hinge arm to the hinge plate, tighten screws **(1)** securely.

See **Diagram 4**.

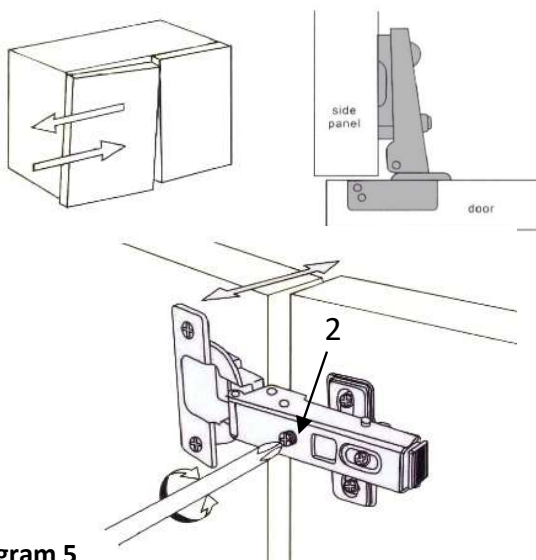


Diagram 5

Door Lateral overlay adjustment

Adjust screws **(2)** to adjust the edge of the door so it runs parallel with the outside face of the unit side panel.

Note: The edge of the door should be set back approx. 1.5mm from the edge of the unit.

Note: For the protection of the damper, it only allows a lateral adjustment. (left to right)

See **Diagram 5**.

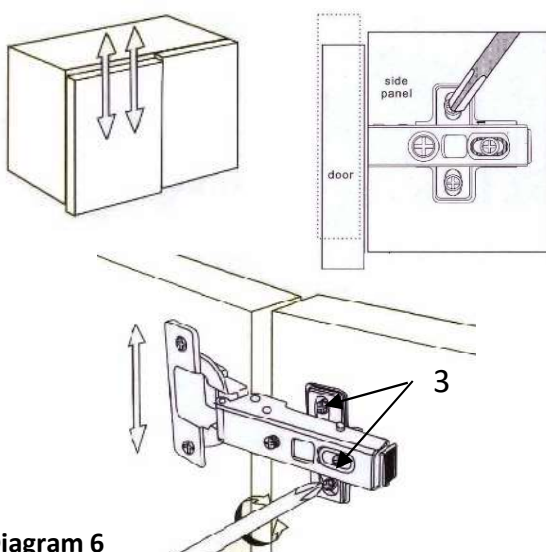


Diagram 6

Door Vertical adjustment

The door can be vertically adjusted by turning the plate screws up and down. **(3)**

The door can be vertically adjusted by loosening the screws **(3)** on all of the hinge plates on the door and carefully moving the door up or down as required.

Once in position re-tighten all the screws **(3)** to secure in place.

See **Diagram 6**.

Drawer Adjustment

Drawer Left/Right Adjustment

Turn screw Clockwise to adjust drawer to the right
Turn screw Anti-Clockwise to adjust drawer to the left.

See Diagram 7.

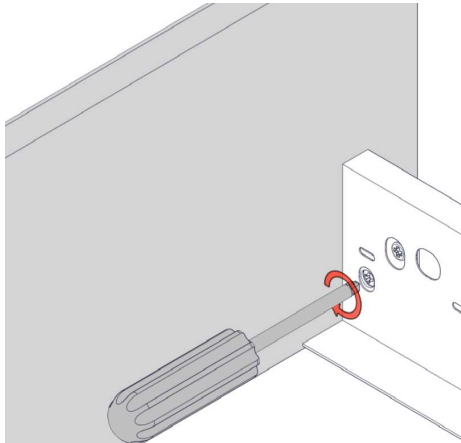


Diagram 7

Drawer Up/Down Adjustment

Turn screw Clockwise to adjust drawer upwards
Turn screw Anti-Clockwise to adjust downwards

See Diagram 8:

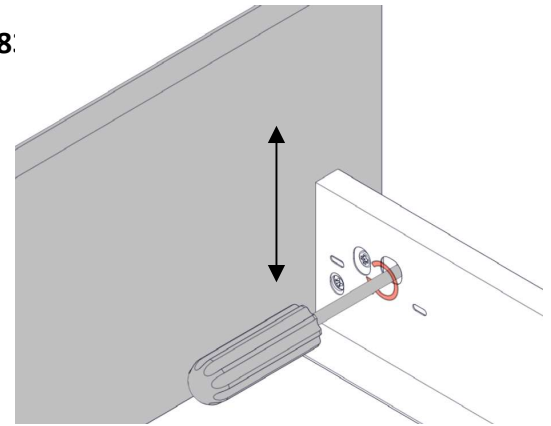


Diagram 8

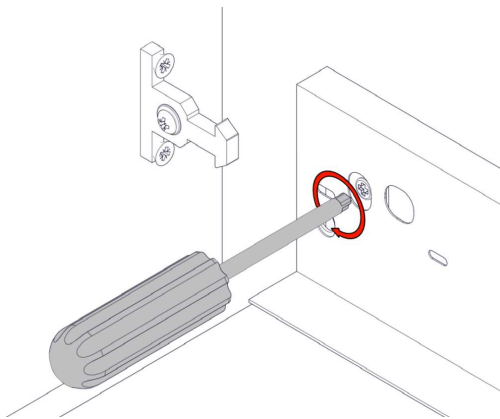


Diagram 9

Drawer Front Removal

Remove the cover caps **Diagram 8**.

Turn the screw anticlockwise indicated in **Diagram 9**.

This will remove the drawer front from the drawer box.

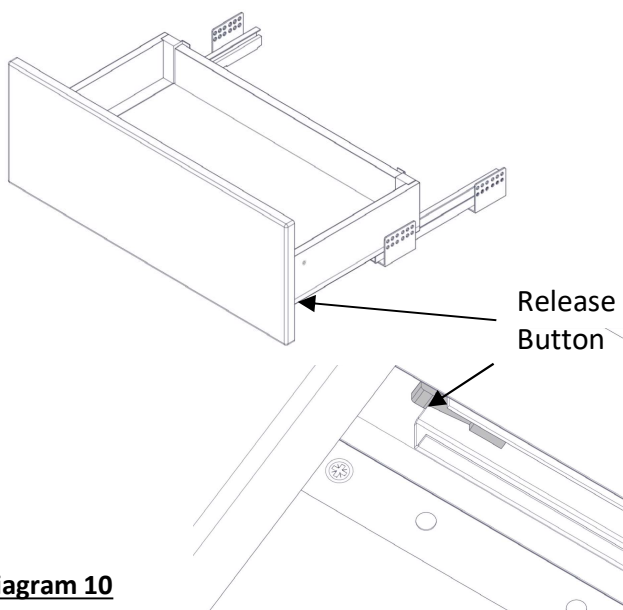


Diagram 10

Assembled Drawer Box Removal

To remove the drawer box including the drawer front, open fully and push button on the underside of the drawer as indicated (**Diagram 10**).

While keeping the button pressed in lift the drawer box upward to remove.



— est. 1964 —



REGISTER YOUR GUARENTEE SCAN ABOVE OR VISIT – WWW.ATLANTABATHROOMS.COM

Customer Services
Tel: 0191 428 0444
Fax: 0191 489 0620